

FLOS

F0300000 Steel

Arco

Designed by Achille and Pier Giacomo Castiglioni, 1962

Halogen - 70W



Floor lamp providing direct light. White Carrara marble base. Satin-finish stainless steel telescopic stem. Pressed, polished and zapon-varnished aluminum swiveling and height-adjustable reflector.

Are you a professional and your project needs consulting and support?

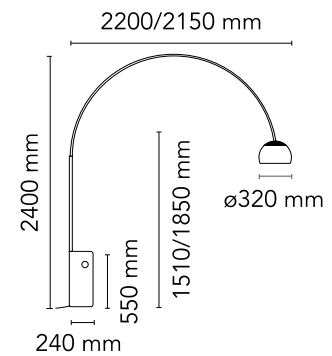
[BOOK AN APPOINTMENT](#)

Main specifications

EAN	8059607000946
Mounting	Floor
Environments	Indoor dry location
Light Source Type	Bulb
Lamp category	Halogen
Lamp holders	E27
Ilcos	HSGSA/S
Number of heads	1
Power (W)	70

Physical

Colour	Steel
Length (mm)	2200
Cord length (mm)	2500
Net weight (kg)	63.4
Package height (mm)	0
Package width (mm)	0
Package length (mm)	0
Package volume (m3)	0.13
IP internal	20

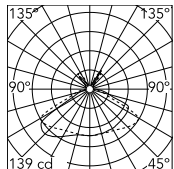


Download

Mounting instructions	PDF
Mounting instructions	PDF
Spare Parts	PDF



Schematic light drawing



Luminous flux Luminaire
1030 lm

Photometric

Lighting type	Direct
Light distribution	Asymmetric

Electrical

Insulation class	II
Frequency (Hz)	50/60
Main voltage (Vac)	220-250
LED voltage Vf (Vdc)	null
Plug type	Type C
Batteries inside	No

Bulbs

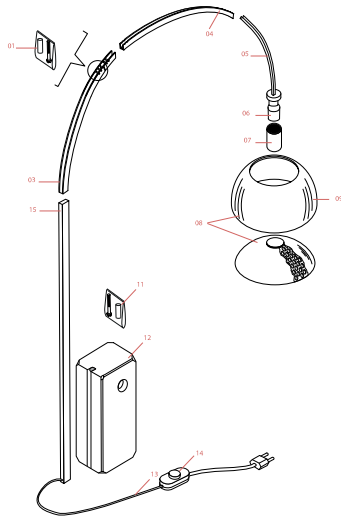


NOT INCLUDED

RF32771

LED Lamp 11W Im E27 220-
240V 2700K A60

Spare Parts



01.	Pins and screw set	RF0300200
02.	Stem and channels Enecc assembly with on/off switch	F0330000
03.	Long inox channel	RF02970
04.	Medium inox channel	RF02971
05.	Small inox channel with lamp holder integrated	RF02972
06.	Lamp holder with joint	RF0300300
07.	Anodized sleeve	RF02593
08.	Enecc reflector and grid	F0320000
09.	Polished reflector	RF00797
10.	Polished grid	RF01411
11.	Fixing screw with joint	RF0300100
12.	Marble base	F0310000
13.	Electrical wiring assembly with on-off switch	RF04724
14.	Black d/661 on-off switch	RF04392
15.	Inox stem	RF21041

DOWNLOAD



RF0300200

Pins and screw set



F0330000

Stem and channels EneC assembly with on/off switch



RF02970

Long inox channel



RF02971

Medium inox channel



RF02972

Small inox channel with lamp holder integrated



RF0300300

Lamp holder with joint



RF02593

Anodized sleeve



F0320000

EneC reflector and grid



RF00797

Polished reflector



RF01411

Polished grid



RF0300100

Fixing screw with joint



F0310000

Marble base



RF04724

Electrical wiring assembly with on-off switch



RF04392

Black d/661 on-off switch



RF21041

Inox stem

FLOS

F0303000 Steel

Arco Led

Designed by Achille and Pier Giacomo Castiglioni, 1962

28W - 1224lm - 2700K



Floor lamp providing direct light. White Carrara marble base. Satin-finish stainless steel telescopic stem. Pressed, polished and zapon-varnished aluminum swiveling and height-adjustable reflector.

Are you a professional and your project needs consulting and support?

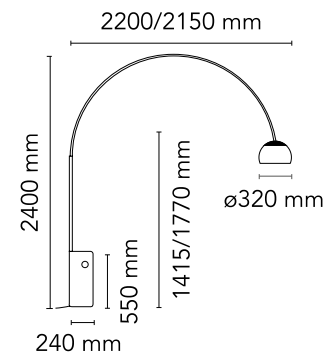
[BOOK AN APPOINTMENT](#)

Main specifications

EAN	8059607000991
Mounting	Floor
Environments	Indoor dry location
Light Source Type	LED
LED type	LED array
Power (W)	28
System flux (lm)	1224

Physical

Colour	Steel
Length (mm)	2200
Cord length (mm)	2300
Net weight (kg)	63.85
Package height (mm)	0
Package width (mm)	0
Package length (mm)	0
Package volume (m3)	0.24
IP internal	20



Download

- [Mounting instructions](#) PDF
- [Mounting instructions](#) PDF
- [Mounting instructions](#) PDF
- [Spare Parts](#) PDF

Photometric Files

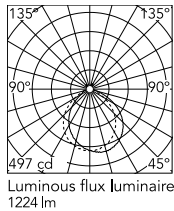
- [LDT / IES](#) LDT

Technical Drawings

- [2D](#) ZIP
- [3D](#) ZIP
- [Bim](#) ZIP



Schematic light drawing



Photometric

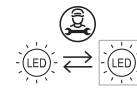
Lighting type	Direct
Light distribution	Asymmetric
CCT (K)	2700

Electrical

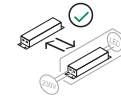
Insulation class	III
Frequency (Hz)	50/60
Main voltage (Vac)	100-240/48
LED voltage Vf (Vdc)	null
Driver	Remote included
Dimmable	Yes
Dimming type	Electronic 48V
Dimming interface	Dimmer Integrated
Plug type	Type G, Type A, Type C
Batteries inside	No

Ecodesign and Energy Labelling

This product contains a light source of energy efficiency class D

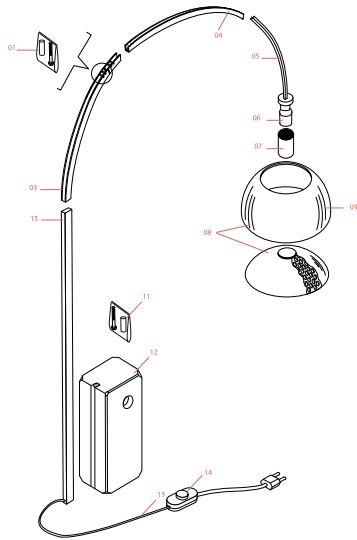


Replaceable (LED only) light source by a professional



Replaceable control gear by an end-user

Spare Parts



- | | | |
|-----|--|-----------|
| 01. | Black plug assembly kit & 48V driver | RF3320400 |
| 02. | Switch dimmer 600Ma for new version | RF26383 |
| 03. | Switch dimmer 400mA assembly for old version | RF0303600 |
| 04. | Middle electric cable with connectors | RF20805 |
| 05. | Marble base | F0310000 |
| 06. | Fixing screw with joint | RF0300100 |
| 07. | Inox stem | RF21041 |
| 08. | Long inox channel | RF02970 |
| 09. | Pins and screw set | RF0300200 |
| 10. | Medium inox channel | RF02971 |
| 11. | Polished reflector | RF00797 |
| 12. | Small inox channel with grid and led | RF0303400 |
| 14. | Optical led diffuser fixing screws | RF0303300 |

DOWNLOAD



RF3320400
Black plug assembly kit & 48V driver



RF26383
Switch dimmer 600Ma for new version



RF0303600
Switch dimmer 400mA assembly for old version



RF20805
Middle electric cable with connectors



F0310000
Marble base



RF0300100
Fixing screw with joint



RF21041
Inox stem



RF02970
Long inox channel



RF0300200

Pins and screw set



RF02971

Medium inox channel



RF00797

Polished reflector



RF0303400

Small inox channel with grid and led



RF0303300

Optical led diffuser fixing screws