

# FLOS

■ F1952030 Black Chrome

## Copycat

Designed by Michael Anastassiades, 2015

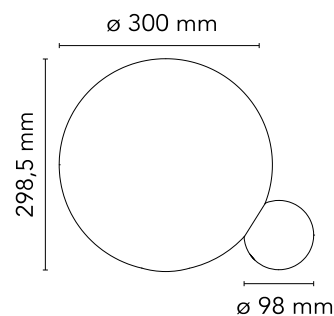
16W - 900lm - 2700K



Table lighting fixture comprising an aluminium sphere machined from solid and then gold-coated with 24 K gold. Blown glass opal diffuser. LED light source with dimmer switch on the power cable.

Are you a professional and your project needs consulting and support?

[BOOK AN APPOINTMENT](#)



## Main specifications

EAN	8059607001769
Mounting	Table
Environments	Indoor dry location
Light Source Type	LED
LED type	LED array
Power (W)	16
System flux (lm)	900

## Physical

Colour	Black Chrome
Length (mm)	298
Net weight (kg)	3.6
Package height (mm)	0
Package width (mm)	0
Package length (mm)	0
Package volume (m3)	0.07
IP internal	20

## Download

Mounting instructions	↓ PDF
Mounting instructions	↓ PDF
Spare Parts	↓ PDF

## Photometric Files

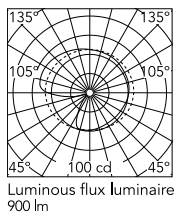
LDT / IES	↓ LDT
-----------	-------

## Technical Drawings

2D	↓ ZIP
3D	↓ ZIP



## Schematic light drawing



## Photometric

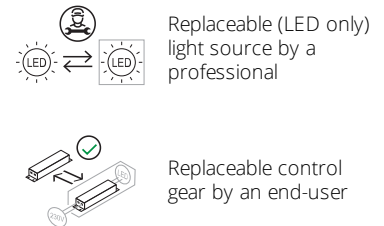
Lighting type	Total
Light distribution	Asymmetric
CCT (K)	2700

## Electrical

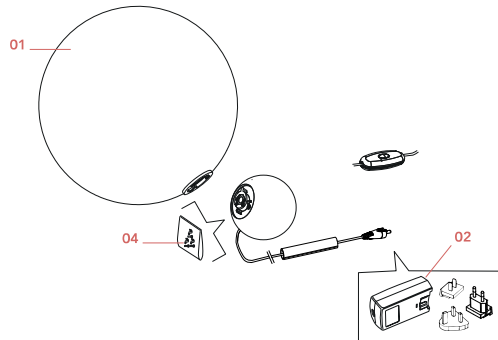
Insulation class	III
Frequency (Hz)	50/60
Main voltage (Vac)	100-240/24
LED voltage Vf (Vdc)	null
Driver	Remote included
Dimmable	Yes
Dimming type	Electronic 24V
Dimming interface	Dimmer Integrated
Plug type	Type G, Type A, Type C
Batteries inside	No

## Ecodesign and Energy Labelling

This product contains a light source of energy efficiency class D



## Spare Parts



- |     |                                       |           |
|-----|---------------------------------------|-----------|
| 01. | White glass diffuser                  | F1950009  |
| 02. | Black plug assembly kit & 24V driver  | RF3320100 |
| 04. | Kit of snap springs and fixing screws | RF1951100 |
| 10. | Assembly Coaxial Connector            | RF3390130 |

**DOWNLOAD**



F1950009  
White glass diffuser



RF3320100  
Black plug assembly kit & 24V driver



RF1951100  
Kit of snap springs and fixing screws

FLOS

RF3390130  
Assembly Coaxial Connector

# FLOS

F1952044 24K Gold

## Copycat

Designed by Michael Anastassiades, 2015

16W - 900lm - 2700K



Table lighting fixture comprising an aluminium sphere machined from solid and then gold-coated with 24 K gold. Blown glass opal diffuser. LED light source with dimmer switch on the power cable.

Are you a professional and your project needs consulting and support?

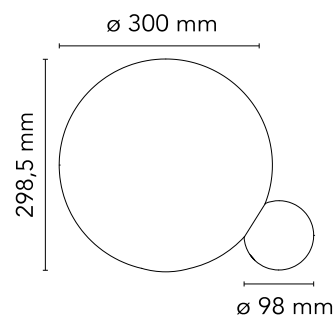
[BOOK AN APPOINTMENT](#)

### Main specifications

EAN	8059607001776
Mounting	Table
Environments	Indoor dry location
Light Source Type	LED
LED type	LED array
Power (W)	16
System flux (lm)	900

### Physical

Colour	24K Gold
Length (mm)	298
Net weight (kg)	3.6
Package height (mm)	0
Package width (mm)	0
Package length (mm)	0
Package volume (m3)	0.07
IP internal	20



### Download

<a href="#">Mounting instructions</a>	<a href="#">↓ PDF</a>
<a href="#">Mounting instructions</a>	<a href="#">↓ PDF</a>
<a href="#">Spare Parts</a>	<a href="#">↓ PDF</a>

### Photometric Files

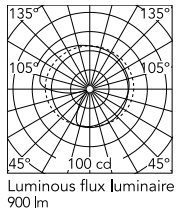
<a href="#">LDT / IES</a>	<a href="#">↓ LDT</a>
---------------------------	-----------------------

### Technical Drawings

<a href="#">2D</a>	<a href="#">↓ ZIP</a>
<a href="#">3D</a>	<a href="#">↓ ZIP</a>



## Schematic light drawing



## Photometric

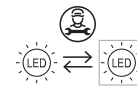
Lighting type	Total
Light distribution	Asymmetric
CCT (K)	2700

## Electrical

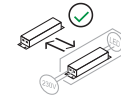
Insulation class	III
Frequency (Hz)	50/60
Main voltage (Vac)	100-240/24
LED voltage Vf (Vdc)	null
Driver	Remote included
Dimmable	Yes
Dimming type	Electronic 24V
Dimming interface	Dimmer Integrated
Plug type	Type G, Type A, Type C
Batteries inside	No

## Ecodesign and Energy Labelling

This product contains a light source of energy efficiency class D

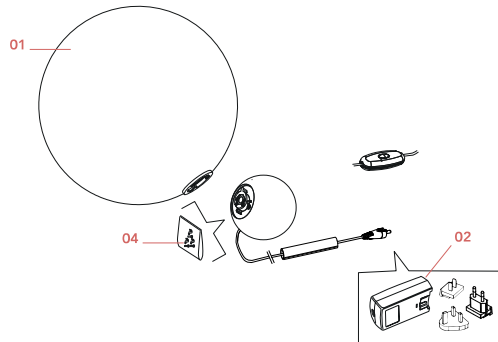


Replaceable (LED only) light source by a professional



Replaceable control gear by an end-user

## Spare Parts



- |     |                                       |           |
|-----|---------------------------------------|-----------|
| 01. | White glass diffuser                  | F1950009  |
| 02. | Black plug assembly kit & 24V driver  | RF3320100 |
| 04. | Kit of snap springs and fixing screws | RF1951100 |
| 10. | Assembly Coaxial Connector            | RF3390130 |

**DOWNLOAD**



F1950009

White glass diffuser



RF3320100

Black plug assembly kit & 24V driver



RF1951100

Kit of snap springs and fixing screws

FLOS

RF3390130

Assembly Coaxial Connector



# FLOS

F1952050 Polished Aluminium

## Copycat

Designed by Michael Anastassiades, 2015

16W - 900lm - 2700K



Table lighting fixture comprising an aluminium sphere machined from solid and then gold-coated with 24 K gold. Blown glass opal diffuser. LED light source with dimmer switch on the power cable.

Are you a professional and your project needs consulting and support?

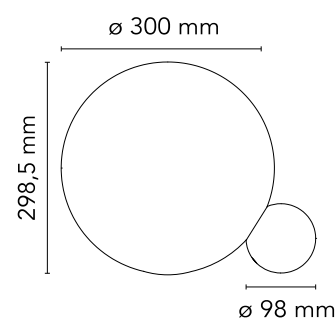
[BOOK AN APPOINTMENT](#)

### Main specifications

EAN	8059607001783
Mounting	Table
Environments	Indoor dry location
Light Source Type	LED
LED type	LED array
Power (W)	16
System flux (lm)	900

### Physical

Colour	Polished Aluminium
Length (mm)	298
Net weight (kg)	3.6
Package height (mm)	0
Package width (mm)	0
Package length (mm)	0
Package volume (m3)	0.07
IP internal	20



### Download

<a href="#">Mounting instructions</a>	<a href="#">↓ PDF</a>
<a href="#">Mounting instructions</a>	<a href="#">↓ PDF</a>
<a href="#">Spare Parts</a>	<a href="#">↓ PDF</a>

### Photometric Files

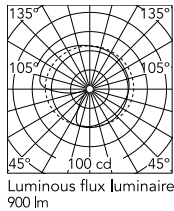
<a href="#">LDT / IES</a>	<a href="#">↓ LDT</a>
---------------------------	-----------------------

### Technical Drawings

<a href="#">2D</a>	<a href="#">↓ ZIP</a>
<a href="#">3D</a>	<a href="#">↓ ZIP</a>



## Schematic light drawing



## Photometric

Lighting type	Total
Light distribution	Asymmetric
CCT (K)	2700

## Electrical

Insulation class	III
Frequency (Hz)	50/60
Main voltage (Vac)	100-240/24
LED voltage Vf (Vdc)	null
Driver	Remote included
Dimmable	Yes
Dimming type	Electronic 24V
Dimming interface	Dimmer Integrated
Plug type	Type G, Type A, Type C
Batteries inside	No

## Ecodesign and Energy Labelling

This product contains a light source of energy efficiency class D

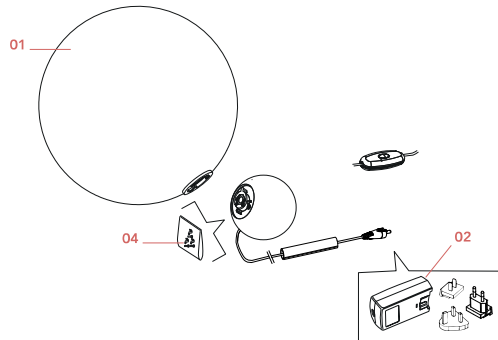


Replaceable (LED only) light source by a professional



Replaceable control gear by an end-user

## Spare Parts



- |     |                                       |           |
|-----|---------------------------------------|-----------|
| 01. | White glass diffuser                  | F1950009  |
| 02. | Black plug assembly kit & 24V driver  | RF3320100 |
| 04. | Kit of snap springs and fixing screws | RF1951100 |
| 10. | Assembly Coaxial Connector            | RF3390130 |

**DOWNLOAD**



F1950009

White glass diffuser



RF3320100

Black plug assembly kit & 24V driver



RF1951100

Kit of snap springs and fixing screws

FLOS

RF3390130

Assembly Coaxial Connector

# FLOS

F1952015 Copper

## Copycat

Designed by Michael Anastassiades, 2015

16W - 900lm - 2700K



Table lighting fixture comprising an aluminium sphere machined from solid and then gold-coated with 24 K gold. Blown glass opal diffuser. LED light source with dimmer switch on the power cable.

Are you a professional and your project needs consulting and support?

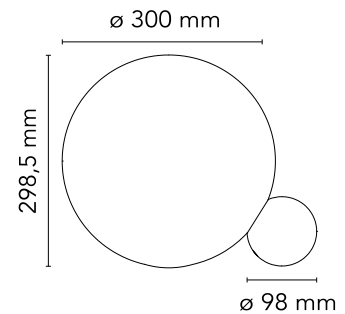
[BOOK AN APPOINTMENT](#)

### Main specifications

EAN	8059607001752
Mounting	Table
Environments	Indoor dry location
Light Source Type	LED
LED type	LED array
Power (W)	16
System flux (lm)	900

### Physical

Colour	Copper
Length (mm)	298
Net weight (kg)	3.6
Package height (mm)	0
Package width (mm)	0
Package length (mm)	0
Package volume (m3)	0.07
IP internal	20



### Download

<a href="#">Mounting instructions</a>	<a href="#">↓ PDF</a>
<a href="#">Mounting instructions</a>	<a href="#">↓ PDF</a>
<a href="#">Spare Parts</a>	<a href="#">↓ PDF</a>

### Photometric Files

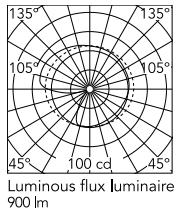
<a href="#">LDT / IES</a>	<a href="#">↓ LDT</a>
---------------------------	-----------------------

### Technical Drawings

<a href="#">2D</a>	<a href="#">↓ ZIP</a>
<a href="#">3D</a>	<a href="#">↓ ZIP</a>



## Schematic light drawing



## Photometric

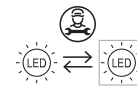
Lighting type	Total
Light distribution	Asymmetric
CCT (K)	2700

## Electrical

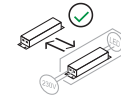
Insulation class	III
Frequency (Hz)	50/60
Main voltage (Vac)	100-240/24
LED voltage Vf (Vdc)	null
Driver	Remote included
Dimmable	Yes
Dimming type	Electronic 24V
Dimming interface	Dimmer Integrated
Plug type	Type G, Type A, Type C
Batteries inside	No

## Ecodesign and Energy Labelling

This product contains a light source of energy efficiency class D

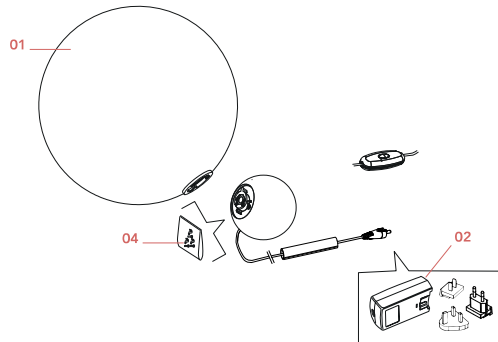


Replaceable (LED only) light source by a professional



Replaceable control gear by an end-user

## Spare Parts



- |     |                                       |           |
|-----|---------------------------------------|-----------|
| 01. | White glass diffuser                  | F1950009  |
| 02. | Black plug assembly kit & 24V driver  | RF3320100 |
| 04. | Kit of snap springs and fixing screws | RF1951100 |
| 10. | Assembly Coaxial Connector            | RF3390130 |

**DOWNLOAD**



F1950009

White glass diffuser



RF3320100

Black plug assembly kit & 24V driver



RF1951100

Kit of snap springs and fixing screws

FLOS

RF3390130

Assembly Coaxial Connector