

FLOS

F2701009 White

Gatto Piccolo

Designed by Achille and Pier Giacomo Castiglioni, 1960

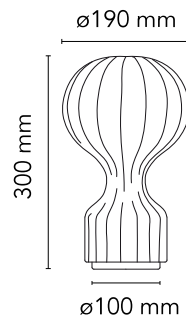


Halogen - 60W

Table lamp providing diffused light. White powder coated internal steel structure sprayed with a unique "cocoon" resin to create the diffuser which is then protected by a transparent sprayed on finish. On the cable there is the electronic dimmer which allows the regulation of light brightness.

Are you a professional and your project needs consulting and support?

BOOK AN APPOINTMENT



Main specifications

EAN	8059607002087
Mounting	Table
Environments	Indoor dry location
Light Source Type	Bulb
Lamp category	Halogen
Lamp holders	E14
Ilcos	HSGSA
Number of heads	1
Power (W)	60

Physical

Colour	White
Length (mm)	210
Cord length (mm)	1800
Net weight (kg)	0.8
Package height (mm)	480
Package width (mm)	280
Package length (mm)	280
Package volume (m3)	0.04
IP internal	20

Download

Mounting instructions [↓ PDF](#)

Spare Parts [↓ PDF](#)

Photometric Files

LDT / IES [↓ LDT](#)

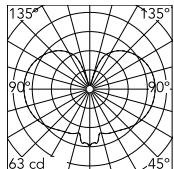
Technical Drawings

2D [↓ ZIP](#)

3D [↓ ZIP](#)



Schematic light drawing



Luminous flux Luminaire
820 lm

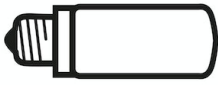
Photometric

Lighting type	Total
Light distribution	Symmetric

Electrical

Insulation class	II
Frequency (Hz)	50/60
Main voltage (Vac)	220-240
LED voltage Vf (Vdc)	null
Dimmable	Yes
Dimming interface	Dimmer Integrated
Plug type	Type C
Batteries inside	No

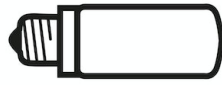
Bulbs



NOT INCLUDED

RF32290

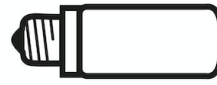
LED Lamp E14 8W 2700K T28



NOT INCLUDED

RF32291

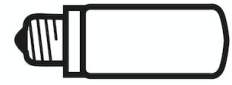
LED Lamp E14 8W 3000K T28



NOT INCLUDED

RF32767

LED Lamp 9W E14 220-240V
2700K T28



NOT INCLUDED

RF32768

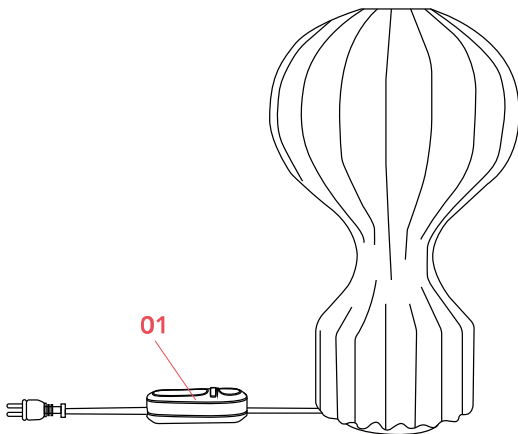
LED Lamp 9W E14 220-240V
3000K T28

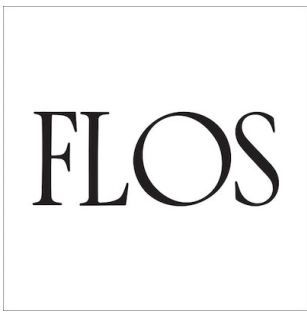
Spare Parts

01. Dimmer 4-25W 220-240V White

RF32261

DOWNLOAD





RF32261

Dimmer 4-25W 220-240V White

FLOS

F2601009 White

Gatto

Designed by Achille and Pier Giacomo Castiglioni, 1960

Halogen - 60W



Table lamp providing diffused light. White powder coated internal steel structure sprayed with a unique "cocoon" resin to create the diffuser which is then protected by a transparent sprayed on finish. On the cable there is the electronic dimmer which allows the regulation of light brightness.

Are you a professional and your project needs consulting and support?

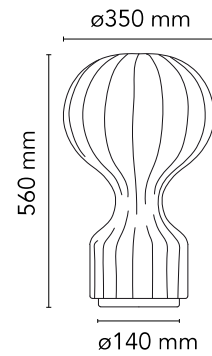
BOOK AN APPOINTMENT

Main specifications

EAN	8059607002056
Mounting	Table
Environments	Indoor dry location
Light Source Type	Bulb
Lamp category	Halogen
Lamp holders	E27
Iicos	HSGSA
Number of heads	1
Power (W)	60

Physical

Colour	White
Length (mm)	385
Cord length (mm)	1800
Net weight (kg)	1.7
Package height (mm)	800
Package width (mm)	440
Package length (mm)	440
Package volume (m3)	0.15
IP internal	20



Download

Mounting instructions [↓ PDF](#)

Spare Parts [↓ PDF](#)

Photometric Files

LDT / IES [↓ LDT](#)

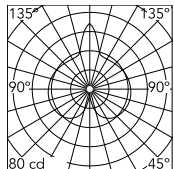
Technical Drawings

2D [↓ ZIP](#)

3D [↓ ZIP](#)



Schematic light drawing



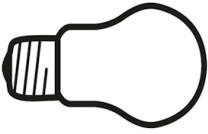
Photometric

Lighting type	Total
Light distribution	Symmetric

Electrical

Insulation class	II
Frequency (Hz)	50/60
Main voltage (Vac)	220-240
LED voltage Vf (Vdc)	null
Dimmable	Yes
Dimming interface	Dimmer Integrated
Plug type	Type C
Batteries inside	No

Bulbs



NOT INCLUDED

RF32563

LED Lamp 11.5W E27 220-240V
2700K A70



NOT INCLUDED

RF32564

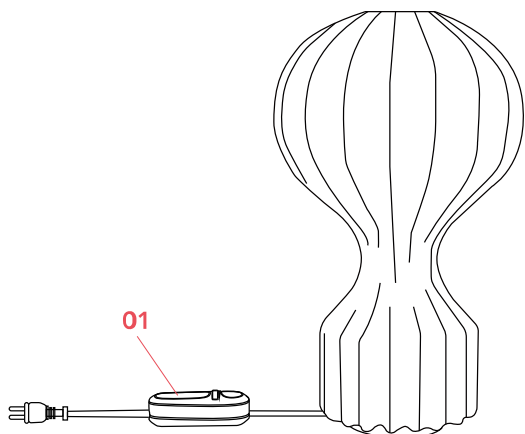
LED Lamp 11.5W E27 220-240V
3000K A70

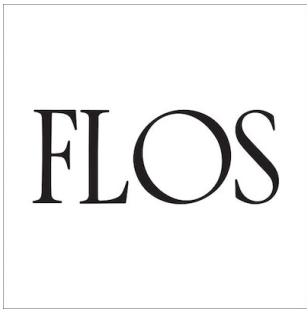
Spare Parts

01. Dimmer 4-25W 220-240V White

RF32261

DOWNLOAD





RF32261

Dimmer 4-25W 220-240V White