

FLOS

■ F3170030 Black

IC Lights T1 High

Designed by Michael Anastassiades, 2014



Halogen - 60W

Table lamp providing diffused light. Frame in brass, brushed and transparent varnished or chrome steel, and black. Blown glass opal diffuser. Dimmer on the power chord.

Are you a professional and your project needs consulting and support?

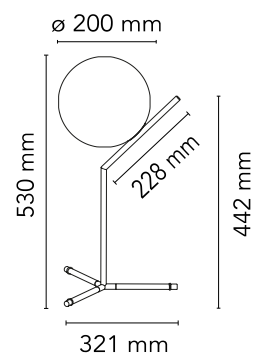
[BOOK AN APPOINTMENT](#)

Main specifications

EAN	8059607002636
Mounting	Table
Environments	Indoor dry location
Light Source Type	Bulb
Lamp category	Halogen
Lamp holders	E14
Ilcos	HSGS
Number of heads	1
Power (W)	60

Physical

Colour	Black
Length (mm)	200
Net weight (kg)	1.4
Package height (mm)	0
Package width (mm)	0
Package length (mm)	0
Package volume (m3)	0.04
IP internal	20



Download

[Mounting instructions](#) PDF

[Spare Parts](#) PDF

Photometric Files

[LDT / IES](#) LDT

Technical Drawings

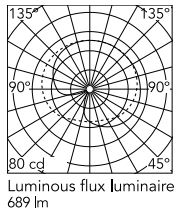
[2D](#) ZIP

[3D](#) ZIP

[Bim](#) ZIP



Schematic light drawing



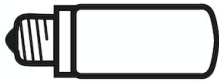
Photometric

Lighting type	Total
Light distribution	Asymmetric

Electrical

Insulation class	II
Frequency (Hz)	50/60
Main voltage (Vac)	220-240
LED voltage Vf (Vdc)	null
Dimmable	Yes
Dimming interface	Dimmer Integrated
Plug type	Type C
Batteries inside	No

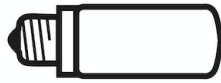
Bulbs



NOT INCLUDED

RF32290

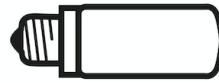
LED Lamp E14 8W 2700K T28



NOT INCLUDED

RF32291

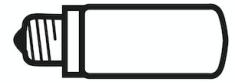
LED Lamp E14 8W 3000K T28



NOT INCLUDED

RF32767

LED Lamp 9W E14 220-240V
2700K T28

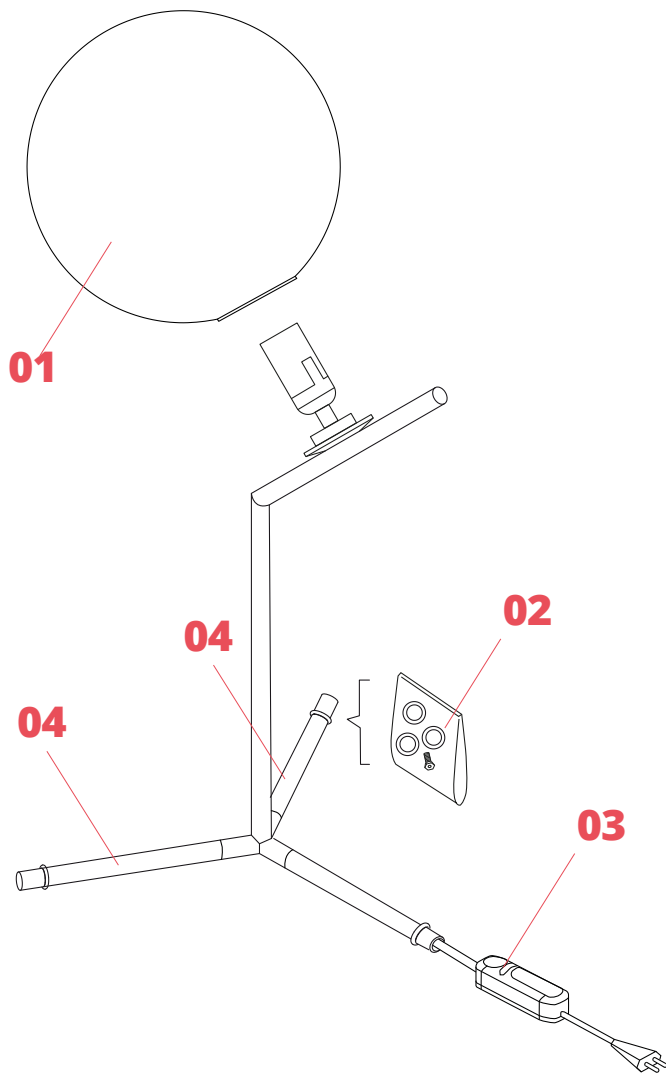


NOT INCLUDED

RF32768

LED Lamp 9W E14 220-240V
3000K T28

Spare Parts



- | | | |
|-----|-------------------------------------|-----------|
| 02. | Gasket and foot kit for ic high-low | RF3160400 |
| 03. | Dimmer 4-25W 220-240V Black | RF32262 |
| 04. | Lower black leg | RF27823 |

DOWNLOAD



RF3160400

Gasket and foot kit for ic high-low



RF32262

Dimmer 4-25W 220-240V Black



RF27823

Lower black leg

FLOS

F3171057 Chrome

IC Lights T1 Low

Designed by Michael Anastassiades, 2014



Halogen - 60W

Table lamp providing diffused light. Frame in brass, brushed and transparent varnished or chrome steel. Blown glass opal diffuser. Dimmer on the power chord.

Are you a professional and your project needs consulting and support?

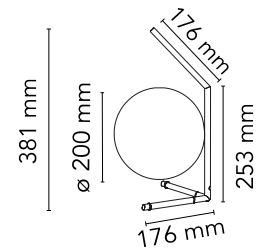
[BOOK AN APPOINTMENT](#)

Main specifications

EAN	8059607002797
Mounting	Table
Environments	Indoor dry location
Light Source Type	Bulb
Lamp category	Halogen
Lamp holders	E14
Ilcos	HSGS
Number of heads	1
Power (W)	60

Physical

Colour	Chrome
Length (mm)	200
Net weight (kg)	1.4
Package height (mm)	0
Package width (mm)	0
Package length (mm)	0
Package volume (m3)	0.04
IP internal	20



Download

[Mounting instructions](#) PDF

[Spare Parts](#) PDF

Photometric Files

[LDT / IES](#) LDT

Technical Drawings

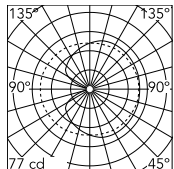
[2D](#) ZIP

[3D](#) ZIP

[Bim](#) ZIP



Schematic light drawing



Luminous flux Luminaire
689 lm

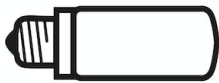
Photometric

Lighting type	Total
Light distribution	Asymmetric

Electrical

Insulation class	II
Frequency (Hz)	50/60
Main voltage (Vac)	220-240
LED voltage Vf (Vdc)	null
Dimmable	Yes
Dimming interface	Dimmer Integrated
Plug type	Type C
Batteries inside	No

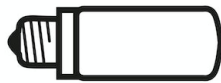
Bulbs



NOT INCLUDED

RF32290

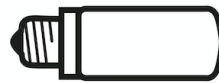
LED Lamp E14 8W 2700K T28



NOT INCLUDED

RF32291

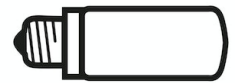
LED Lamp E14 8W 3000K T28



NOT INCLUDED

RF32767

LED Lamp 9W E14 220-240V
2700K T28

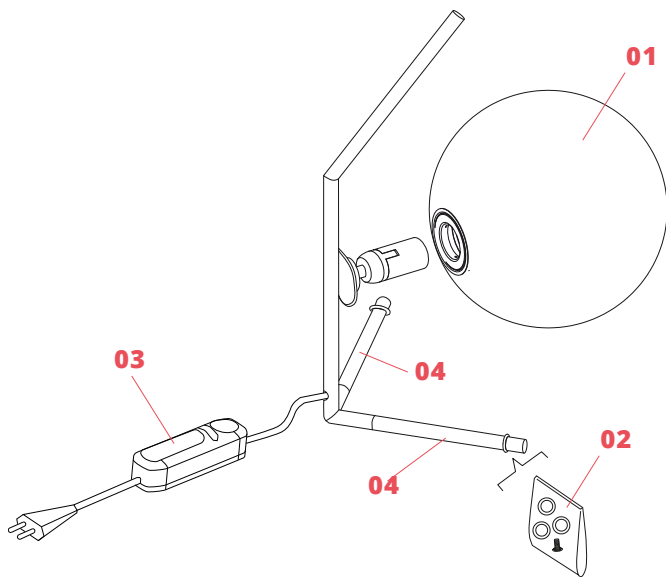


NOT INCLUDED

RF32768

LED Lamp 9W E14 220-240V
3000K T28

Spare Parts



- | | | |
|-----|---|-----------|
| 01. | IC Lights 1 diffuser for chrome version | F3136057 |
| 02. | Gasket and foot kit for ic high-low | RF3160400 |
| 03. | Dimmer 4-25W 220-240V Black | RF32262 |
| 04. | Lower chrome leg | RF23805 |

DOWNLOAD



F3136057

IC Lights 1 diffuser for chrome version



RF3160400

Gasket and foot kit for ic high-low



RF32262

Dimmer 4-25W 220-240V Black



RF23805

Lower chrome leg

FLOS

F3172059 Brass

IC Lights T2

Designed by Michael Anastassiades, 2014



Halogen - 205W

Table lamp providing diffused light. Frame in brass, brushed and transparent varnished or chrome steel. Blown glass opal diffuser. Dimmer on the power chord.

Are you a professional and your project needs consulting and support?

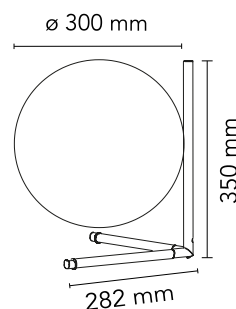
BOOK AN APPOINTMENT

Main specifications

EAN	8059607002933
Mounting	Table
Environments	Indoor dry location
Light Source Type	Bulb
Lamp category	Halogen
Lamp holders	E27
Ilcos	HSGS
Number of heads	1
Power (W)	205

Physical

Colour	Brass
Length (mm)	300
Net weight (kg)	2.4
Package height (mm)	0
Package width (mm)	0
Package length (mm)	0
Package volume (m3)	0.07
IP internal	20



Download

Mounting instructions [↓ PDF](#)

Spare Parts [↓ PDF](#)

Photometric Files

LDT / IES [↓ LDT](#)

Technical Drawings

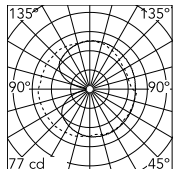
2D [↓ ZIP](#)

3D [↓ ZIP](#)

[Bim](#) [↓ ZIP](#)



Schematic light drawing



Luminous flux Luminaire
1252 lm

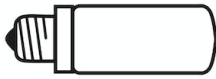
Photometric

Lighting type	Total
Light distribution	Asymmetric

Electrical

Insulation class	II
Frequency (Hz)	50/60
Main voltage (Vac)	220-240
LED voltage Vf (Vdc)	null
Dimmable	Yes
Dimming interface	Dimmer Integrated
Plug type	Type C
Batteries inside	No

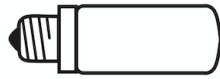
Bulbs



NOT INCLUDED

RF26259

LED Lamp 18W E27 2700K
Dimmable



NOT INCLUDED

RF26258

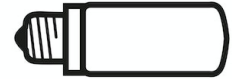
LED Lamp 18W E27 3000K T38
Dimmable



NOT INCLUDED

RF32288

LED Lamp E27 15W 2700K T38

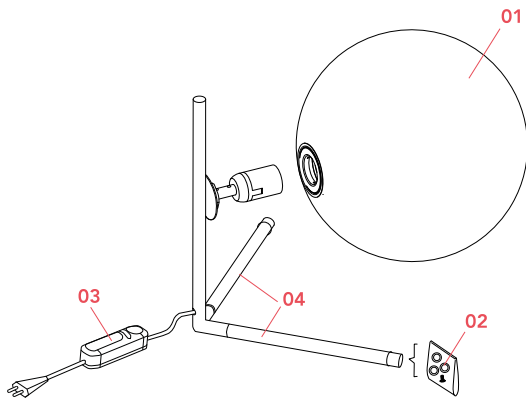


NOT INCLUDED

RF32289

LED Lamp E27 15W 3000K T38

Spare Parts



- | | | |
|-----|--|-----------|
| 01. | IC Lights 2 diffuser for brass version | F3137059 |
| 02. | Gasket and foot kit | RF3160500 |
| 03. | Dimmer 4-25W 220-240V Black | RF32262 |
| 04. | Lower brass leg | RF23342 |

DOWNLOAD



F3137059
IC Lights 2 diffuser for brass
version



RF3160500
Gasket and foot kit



RF32262
Dimmer 4-25W 220-240V Black



RF23342
Lower brass leg