

FLOS

F6107007 Fabric

Romeo Soft Table

Designed by Philippe Starck, 1998

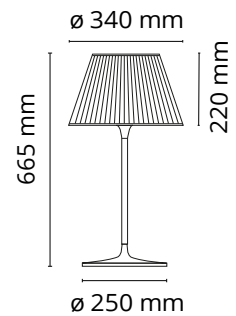


Halogen - 150W

Table/desk lamp providing diffused light. Acid-etched pressed borosilicate glass internal diffuser. Plissé cloth shade. Gray painted steel stem and die-cast aluminum base and yoke. Injection-molded transparent polycarbonate diffuser support. On the cable there is the electronic dimmer which allows the regulation of light brightness.

Are you a professional and your project needs consulting and support?

BOOK AN APPOINTMENT



Main specifications

Mounting	Table
Environments	Indoor dry location
Light Source Type	Bulb
Lamp category	Halogen
Lamp holders	E27
Icos	HSGS
Number of heads	1
Power (W)	150

Physical

Colour	Fabric
Length (mm)	340
Cord length (mm)	1800
Net weight (kg)	5.51
Package height (mm)	0
Package width (mm)	0
Package length (mm)	0
Package volume (m3)	0.16
IP internal	20

Download

Mounting instructions [↓ PDF](#)

Spare Parts [↓ PDF](#)

Photometric Files

LDT / IES [↓ LDT](#)

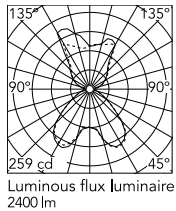
Technical Drawings

2D [↓ ZIP](#)

3D [↓ ZIP](#)



Schematic light drawing



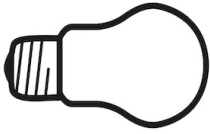
Photometric

Lighting type	Total
Light distribution	Symmetric

Electrical

Insulation class	II
Frequency (Hz)	50/60
Main voltage (Vac)	220-240
LED voltage Vf (Vdc)	null
Dimmable	Yes
Dimming interface	Dimmer Integrated
Plug type	Type C
Batteries inside	No

Bulbs



NOT INCLUDED

RF32563

LED Lamp 11.5W E27 220-240V
2700K A70

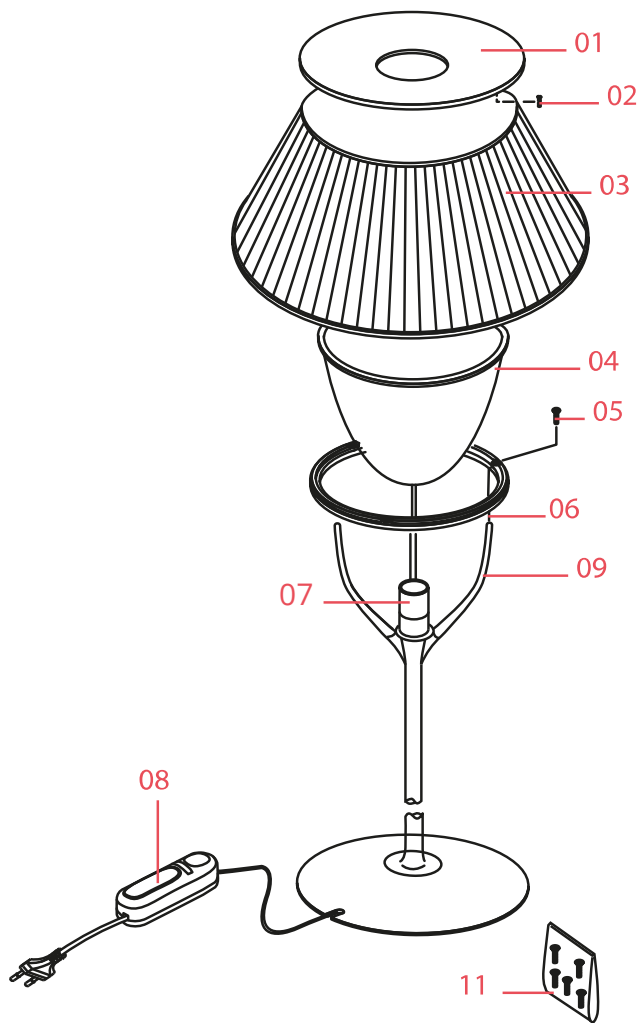


NOT INCLUDED

RF32564

LED Lamp 11.5W E27 220-240V
3000K A70

Spare Parts



- | | | |
|-----|---------------------------------------|-----------|
| 01. | Romeo T1 cover ring | RF03203 |
| 02. | Kit of silicone seats for cover ring | RF6100100 |
| 03. | Fabric lamp shade | RF05286 |
| 04. | Acid-etched diffuser | RF03201 |
| 05. | Kit of screws/bolts for Romeo | RF6100200 |
| 06. | S1/t1 support ring | RF05369 |
| 07. | E27 Lamp holder | RF04169 |
| 08. | Dimmer 4-25W 220-240V Black | RF32262 |
| 09. | T1 grey support bracket | RF02813 |
| 10. | Sensor contact rod | RF6110200 |
| 11. | Kit of transparent pads for lamp base | RF6138100 |

DOWNLOAD



RF03203

Romeo T1 cover ring



RF6100100

Kit of silicone seats for cover ring



RF05286

Fabric lamp shade



RF03201

Acid-etched diffuser



RF6100200

Kit of screws/bolts for Romeo



RF05369

S1/t1 support ring



RF04169

E27 Lamp holder



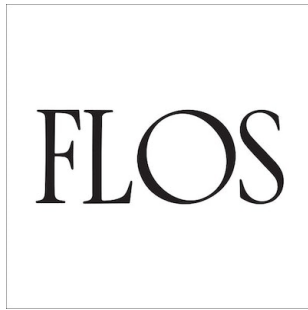
RF32262

Dimmer 4-25W 220-240V Black



RF02813

T1 grey support bracket



RF6110200

Sensor contact rod



RF6138100

Kit of transparent pads for lamp base

FLOS

F6107000 Glass

Romeo Moon Table 1

Designed by Philippe Starck, 1998

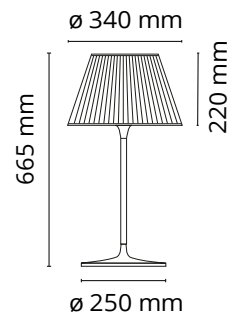
Halogen - 150W



Table/desk lamp providing diffused light. Acid-etched pressed borosilicate glass internal diffuser. Pressed clear glass shade. Gray painted steel stem and die-cast aluminum base and yoke. Injection-molded transparent polycarbonate diffuser support. On the cable there is the electronic dimmer which allows the regulation of light brightness.

Are you a professional and your project needs consulting and support?

BOOK AN APPOINTMENT



Main specifications

Mounting	Table
Environments	Indoor dry location
Light Source Type	Bulb
Lamp category	Halogen
Lamp holders	E27
Icos	HSGS
Number of heads	1
Power (W)	150

Physical

Colour	Glass
Length (mm)	340
Cord length (mm)	1800
Net weight (kg)	7.74
Package height (mm)	0
Package width (mm)	0
Package length (mm)	0
Package volume (m3)	0.16
IP internal	20

Download

Mounting instructions [↓ PDF](#)

Spare Parts [↓ PDF](#)

Photometric Files

LDT / IES [↓ LDT](#)

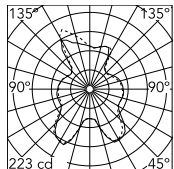
Technical Drawings

2D [↓ ZIP](#)

3D [↓ ZIP](#)



Schematic light drawing



Luminous flux Luminaire
2400 lm

Photometric

Lighting type	Total
Light distribution	Symmetric

Electrical

Insulation class	II
Frequency (Hz)	50/60
Main voltage (Vac)	220-240
LED voltage Vf (Vdc)	null
Dimmable	Yes
Dimming interface	Dimmer Integrated
Plug type	Type C
Batteries inside	No

Bulbs



NOT INCLUDED

RF32563

LED Lamp 11.5W E27 220-240V
2700K A70

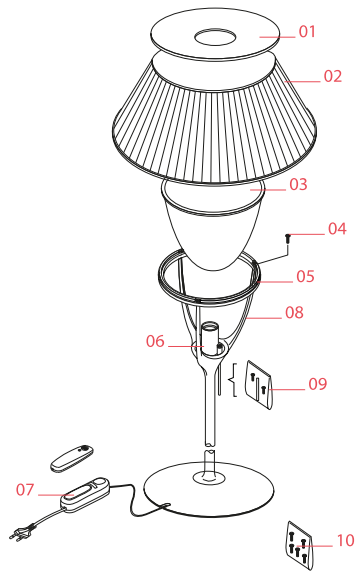


NOT INCLUDED

RF32564

LED Lamp 11.5W E27 220-240V
3000K A70

Spare Parts



- | | | |
|-----|--|-----------|
| 01. | T1 cover ring | RF03206 |
| 02. | Romeo Moon Suspension/Table
1 lampshade | RF6110400 |
| 03. | Acid-etched diffuser | RF03201 |
| 04. | Kit of screws/bolts for Romeo | RF6100200 |
| 05. | S1/t1 support ring | RF05369 |
| 06. | E27 Lamp holder | RF04169 |
| 07. | Dimmer 4-25W 220-240V Black | RF32262 |
| 08. | T1 grey support bracket | RF02813 |
| 09. | Sensor contact rod | RF6110200 |
| 10. | Kit of transparent pads for lamp
base | RF6138100 |

DOWNLOAD



RF03206

T1 cover ring



RF6110400

Romeo Moon Suspension/Table 1 lampshade



RF03201

Acid-etched diffuser



RF6100200

Kit of screws/bolts for Romeo



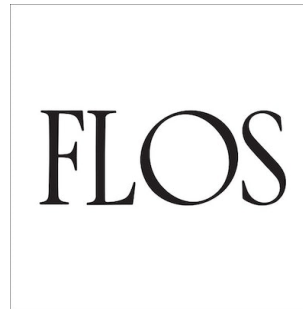
RF05369

S1/t1 support ring



RF04169

E27 Lamp holder



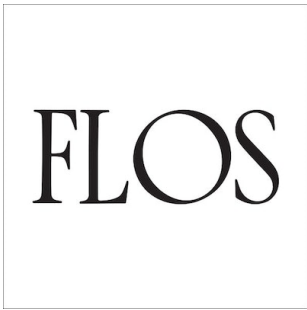
RF32262

Dimmer 4-25W 220-240V Black



RF02813

T1 grey support bracket



RF6110200

Sensor contact rod



RF6138100

Kit of transparent pads for lamp
base