


# FLOS

 F6380075 Orange

## Snoopy

Designed by Achille and Pier Giacomo Castiglioni, 1967



Halogen - 150W

Table lamp giving direct light with enamelled metal reflector and white Carrara's marble base. It was designed by Achille e Pier Giacomo Castiglioni in 1967.

Are you a professional and your project needs consulting and support?

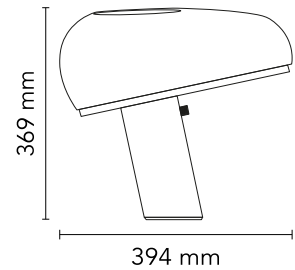
[BOOK AN APPOINTMENT](#)

### Main specifications


Mounting	Table
Environments	Indoor dry location
Light Source Type	Bulb
Lamp category	Halogen
Lamp type	A60
Lamp holders	E27
Ilcos	HSGS
Bulb finish	Frosted
Number of heads	1
Power (W)	150
System power (W)	150

### Physical

Colour	Orange
Length (mm)	394
Net weight (kg)	7.99
Package height (mm)	465
Package width (mm)	470
Package length (mm)	385
Package volume (m3)	0.1
IP internal	20



### Download

[Mounting instructions](#)  PDF

[Spare Parts](#)  PDF

### Photometric Files

[LDT / IES](#)  LDT

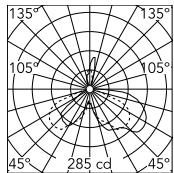
### Technical Drawings

[2D](#)  ZIP

[3D](#)  ZIP



## Schematic light drawing



Luminous flux Luminaire  
2400 lm

### Photometric

Lighting type	Indirect, Direct
Light distribution	Asymmetric

### Electrical

Insulation class	II
Frequency (Hz)	50/60
Main voltage (Vac)	220-240
LED voltage Vf (Vdc)	null
Dimmable	Yes
Dimming interface	Dimmer Integrated
Plug type	Type C
Batteries inside	No

## Bulbs



NOT INCLUDED

RF25317

LED Opal Lamp E27 8W 3000K  
A60 Dimmable

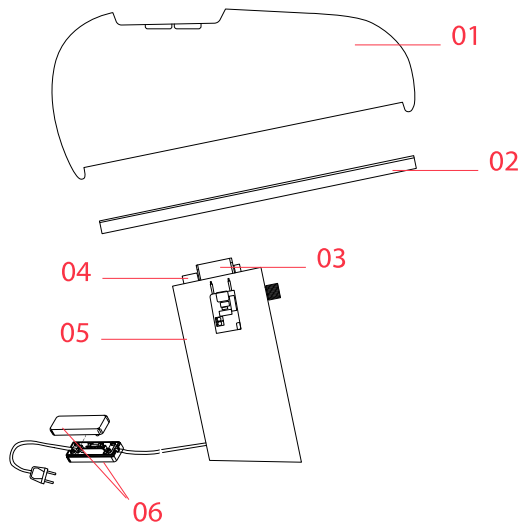


NOT INCLUDED

RF25323

LED Opal Lamp E27 8W 2700K  
A60 Dimmable

## Spare Parts



01.	Snoopy Reflector	RF16089
02.	Snoopy glass diffuser	RF84656
03.	E27 lamp holder	RF11912
04.	Ring nut	RF11919
05.	Electronic touch dimmer	RF26254
06.	Electrical assembly with fuse box	RF12478

**DOWNLOAD**



RF16089

Snoopy Reflector



RF84656

Snoopy glass diffuser



RF11912

E27 lamp holder



RF11919

Ring nut



RF26254

Electronic touch dimmer



RF12478

Electrical assembly with fuse box