

# FLOS

F6630057 Chrome

## Superloon

Designed by Jasper Morrison, 2015

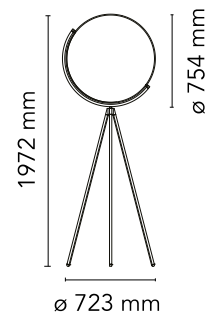
48W - 2716lm - 2200-2800K



Adjustable floor lamp providing direct light. Painted or chrome-plated aluminium body with metal spinning head, die-cast joints and extruded stem. Silk screened PMMA diffuser. Edge Lighting technology light source. Optical switch sensor placed on the stem that provide Warm Tone dimming function. Power cord length 250 cm. Plug-in power supply with interchangeable plugs.

Are you a professional and your project needs consulting and support?

[BOOK AN APPOINTMENT](#)



### Main specifications

Mounting	Floor
Environments	Indoor dry location
Light Source Type	LED
LED type	LED Module
Power (W)	48
System flux (lm)	2716

### Physical

Colour	Chrome
Length (mm)	754
Net weight (kg)	11
Package height (mm)	0
Package width (mm)	0
Package length (mm)	0
Package volume (m3)	0.11
IP internal	20

### Download

<a href="#">Mounting instructions</a>	<a href="#">↓ PDF</a>
<a href="#">Mounting instructions</a>	<a href="#">↓ PDF</a>
<a href="#">Spare Parts</a>	<a href="#">↓ PDF</a>

### Photometric Files

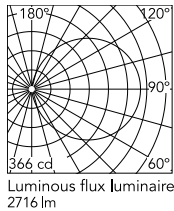
<a href="#">LDT / IES</a>	<a href="#">↓ LDT</a>
---------------------------	-----------------------

### Technical Drawings

<a href="#">2D</a>	<a href="#">↓ ZIP</a>
<a href="#">3D</a>	<a href="#">↓ ZIP</a>



## Schematic light drawing



## Photometric

Lighting type	Direct
Light distribution	Roto symmetric
CCT (K)	2200-2800

## Electrical

Insulation class	III
Frequency (Hz)	50/60
Main voltage (Vac)	100-240/48
LED voltage Vf (Vdc)	null
Driver	Remote included
Dimmable	Yes
Dimming type	Electronic 48V
Dimming interface	Dimmer Integrated
Plug type	Type G, Type A, Type C
Batteries inside	No

## Ecodesign and Energy Labelling

This product contains a light source of energy efficiency class D

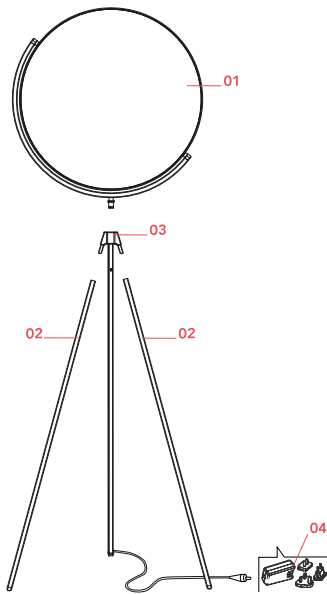


Replaceable (LED only)  
light source by a  
professional



Replaceable control  
gear by an end-user

## Spare Parts



- |     |                                      |           |
|-----|--------------------------------------|-----------|
| 01. | Chrome diffuser                      | F6632057  |
| 02. | Mobile legs                          | RF25119   |
| 03. | Chrome electrified fixed leg         | RF6630157 |
| 04. | Black plug assembly kit & 48V driver | RF3320400 |
| 10. | Assembly Coaxial Connector           | RF3390130 |

**DOWNLOAD**



F6632057

Chrome diffuser



RF25119

Mobile legs



RF6630157

Chrome electrified fixed leg



RF3320400

Black plug assembly kit & 48V driver



RF3390130

Assembly Coaxial Connector