

Camaleonda

SOFAS

2020

Mario Bellini



Description

In its new version, Camaleonda preserves the elements that have made it an iconic piece of furniture. Certain elements remain faithful to the original project, such as the 90x90 cm seat module, the backrest and armrest, and the characteristic capitonné design, still manufactured with the innovative system of cables, hooks and rings created by Bellini in 1970, which defines its characteristic look and modularity. Internally, instead, it has been completely redesigned to make Camaleonda even more comfortable than the original, as well as sustainable. The internal structure is now built like a sandwich, with easily disassembled layers of recycled or recyclable materials. The core of the seats, backs and armrests is made up of wooden panels; the padding is made of polyurethane in various levels of density and firmness, with different shaped layers interacting to create a comfortable spring-like effect. This engineering feature makes Camaleonda extraordinarily comfortable and allows the interior of the sofa to be disassembled, making it easy to recycle. The fundamental characteristic of Camaleonda is its unlimited modularity, a geometric nature that allows each element to become a sort of enormous pixel through which to define your home environment. Thanks to the tie-rods and rings, the modules can be unhooked and recombined at will, allowing the sofa to adapt to an evolving taste and to the dynamic needs of those using it, while always maintaining its unique identity. Camaleonda can be upholstered with the entire textile and leather range of B&B Italia, allowing for another variable in the multitude of possible combinations.

Technical information

Base-frame

MDF NAF wood fibre

Seat upholstery

shaped polyurethane of different density, cover in polyethylene terephthalate or polyethylene and nylon with studs in nylon

Back upholstery

shaped polyurethane, polyurethane foam, cover in polyethylene terephthalate or polyethylene and nylon

Armrest upholstery

polyurethane foam, cover in polyethylene terephthalate or polyethylene and nylon

Rings

brass

Carabiner

stainless steel

Cord

polypropylene

Cord holder cap and joining element

plastic material

Feet

solid wood

Ferrules

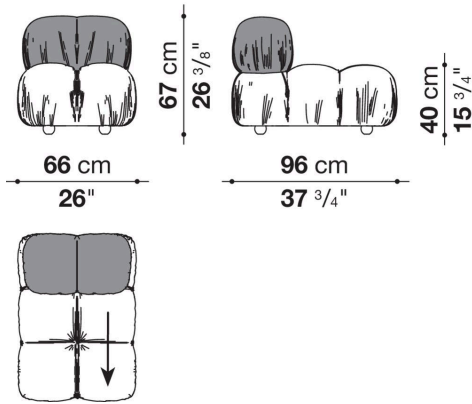
plastic material

Cover

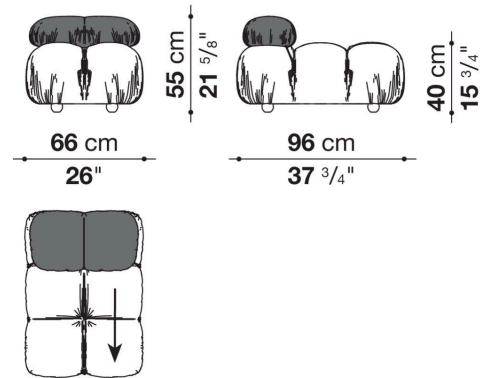
fabric or leather with metal studs

Technical drawings

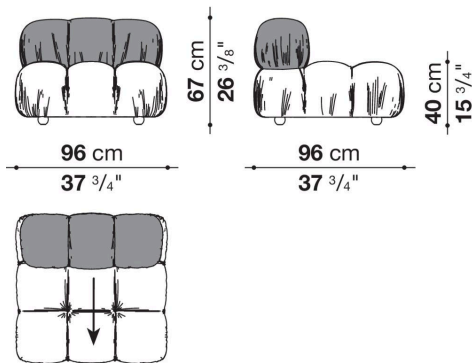
CM66C



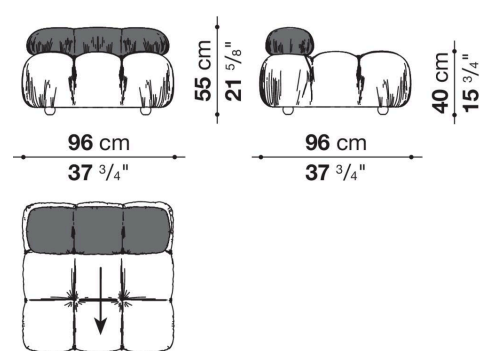
CM66B_C



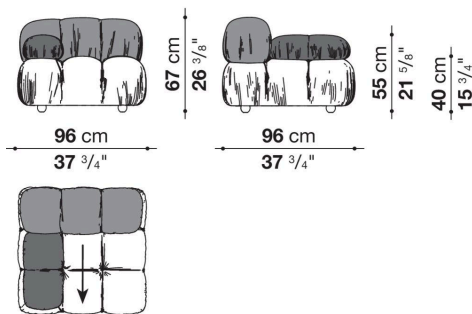
CM96C



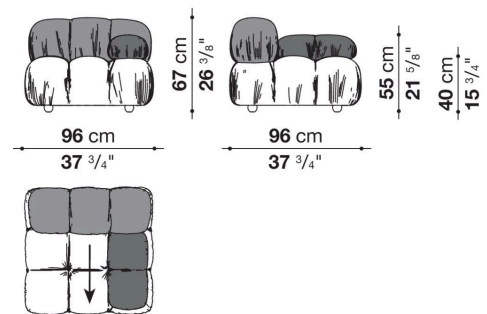
CM96B_C



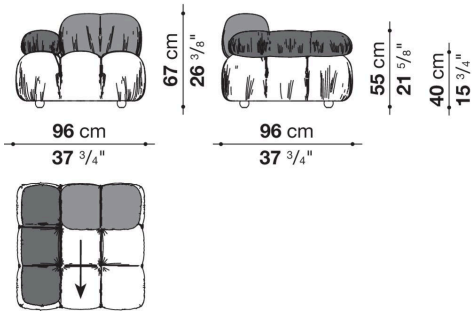
CM96B_TS1



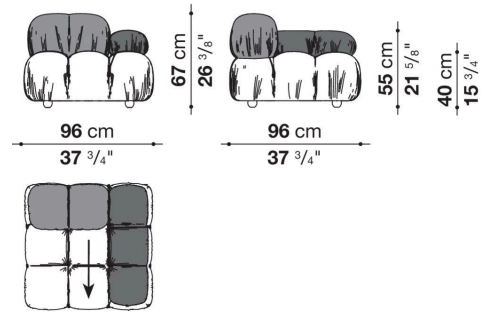
CM96B_TD1



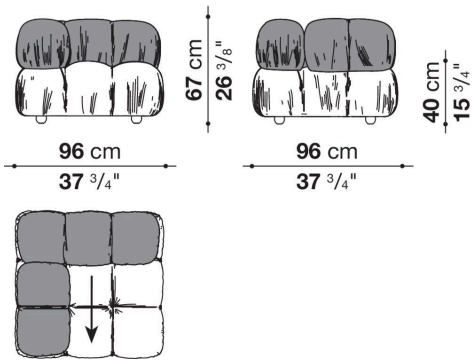
CM96B_TS2



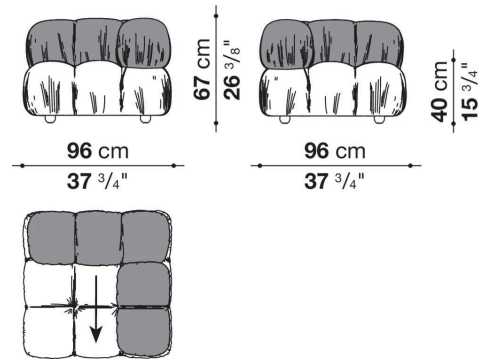
CM96B_TD2



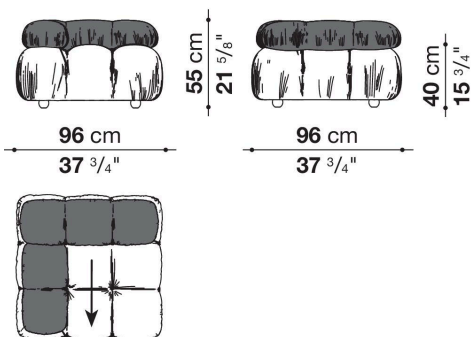
CM96AS



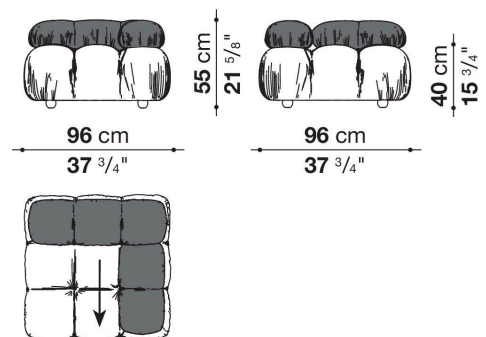
CM96AD



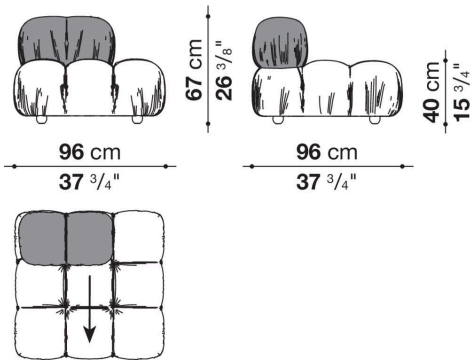
CM96B_AS



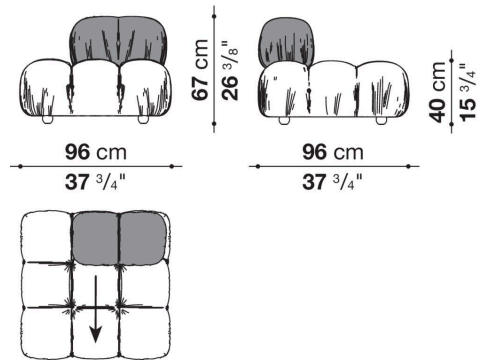
CM96B_AD



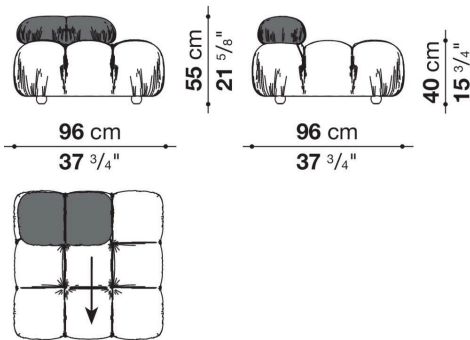
CM96TPS



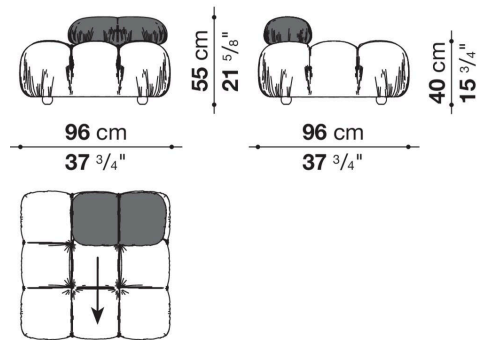
CM96TPD



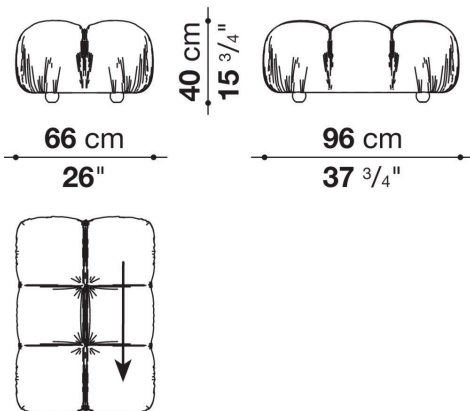
CM96B_TPS



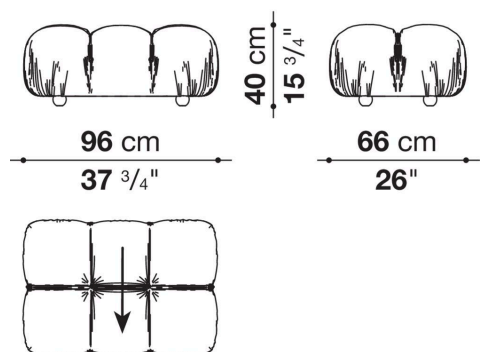
CM96B_TPD



CM66P



CM96P



CM96PQ

