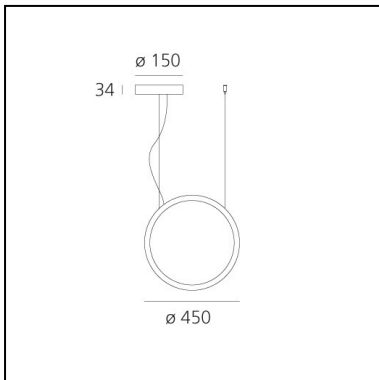


"O" 45 - Suspension

Elemental



IP67   



LUMINAIRE

- Watt: **19W**
- Delivered lumen output: **875lm**
- CCT: **3000K**
- Efficiency: **56%**
- Efficacy: **46.05lm/W**
- CRI: **90**

Notes

DESCRIPTION

"O" is an essential element that, when switched off, frames nature and suggests perspectives, an unobtrusive object in space that does not alter environmental balances. Its controlled and comfortable light emission can be adjusted with sensors and with the Artemide App to ensure focused operation, thus preventing waste and respecting the circadian cycles of all animal and plant species.

Introduced in 2018 both floor and suspended outdoor versions, it is a perfect lighting also for indoor use thanks to a cabled option that allows easy relocation. Also in this case the IP degree of protection is still suitable for outdoor use. Its lightness is not just formal: its thin aluminium profile is an element of its own, which can be moved wherever necessary, allowing multiple uses, and creating a pleasant ambience anywhere with its soft, non-glaring light. "O" is developed in the original 90-cm diameter version, as well as in a smaller, 45-cm and bigger 150-cm versions featuring all the characteristics of the original one. "O" is thus a comprehensive family of elements creating dynamic lightscapes.

FEATURES

- Product Code: **T072130**
- Colour: **Black**
- Installation: **Suspension**
- Material: **Aluminium, Silicone diffuser**
- Series: **Design Collection, Architectural Outdoor**
- Environment: **Outdoor**
- design by: **Elemental**




DIMENSIONS

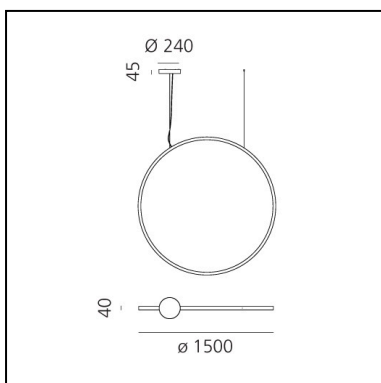
- Diameter: **450 mm**

"O" 150 - Suspension

Elemental



IP67   



LUMINAIRE

- Watt: **65W**
- Delivered lumen output: **3126lm**
- CCT: **3000K**
- Efficiency: **56%**
- Efficacy: **48.09lm/W**
- CRI: **90**

Notes

DESCRIPTION

"O" is an essential element that, when switched off, frames nature and suggests perspectives, an unobtrusive object in space that does not alter environmental balances. Its controlled and comfortable light emission can be adjusted with sensors and with the Artemide App to ensure focused operation, thus preventing waste and respecting the circadian cycles of all animal and plant species.

Introduced in 2018 both floor and suspended outdoor versions, it is a perfect lighting also for indoor use thanks to a cabled option that allows easy relocation. Also in this case the IP degree of protection is still suitable for outdoor use. Its lightness is not just formal: its thin aluminium profile is an element of its own, which can be moved wherever necessary, allowing multiple uses, and creating a pleasant ambience anywhere with its soft, non-glaring light. "O" is developed in the original 90-cm diameter version, as well as in a smaller, 45-cm and bigger 150-cm versions featuring all the characteristics of the original one. "O" is thus a comprehensive family of elements creating dynamic lightscapes.

FEATURES

- Product Code: **T072230**
- Colour: **Black**
- Installation: **Suspension**
- Material: **Aluminium, Silicone diffuser**
- Series: **Design Collection, Architectural Outdoor**
- Environment: **Outdoor**
- design by: **Elemental**

DIMENSIONS

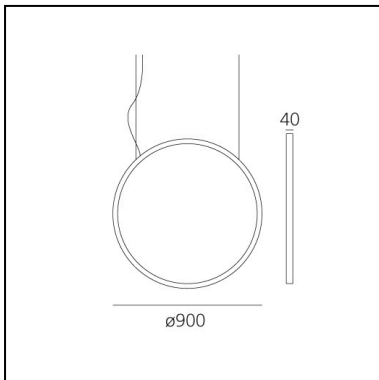
- Width: **40 mm**
- Diameter: **1500 mm**

"O" - Suspension

Elemental



IP67   



LUMINAIRE

- Watt: **43W**
- Delivered lumen output: **1830lm**
- CCT: **3000K**
- Efficiency: **56%**
- Efficacy: **42.55lm/W**
- CRI: **90**

Notes

DESCRIPTION

"O" is an essential element that, when switched off, frames nature and suggests perspectives, an unobtrusive object in space that does not alter environmental balances. Its controlled and comfortable light emission can be adjusted with sensors and with the Artemide App to ensure focused operation, thus preventing waste and respecting the circadian cycles of all animal and plant species.

Introduced in 2018 both floor and suspended outdoor versions, it is a perfect lighting also for indoor use thanks to a cabled option that allows easy relocation. Also in this case the IP degree of protection is still suitable for outdoor use. Its lightness is not just formal: its thin aluminium profile is an element of its own, which can be moved wherever necessary, allowing multiple uses, and creating a pleasant ambience anywhere with its soft, non-glaring light. "O" is developed in the original 90-cm diameter version, as well as in a smaller, 45-cm and bigger 150-cm versions featuring all the characteristics of the original one. "O" is thus a comprehensive family of elements creating dynamic lightscapes.

FEATURES

- Product Code: **T072030**
- Colour: **Black**
- Installation: **Suspension**
- Material: **Aluminium, Silicone diffuser**
- Series: **Design Collection, Architectural Outdoor**
- Environment: **Outdoor**
- design by: **Elemental**

DIMENSIONS

- Width: **40 mm**
- Diameter: **900 mm**

SOURCES INCLUDED

- Category: **Led**
- Number: **1**
- Watt: **35W**
- Color temperature (K): **3000K**
- CRI: **90**