

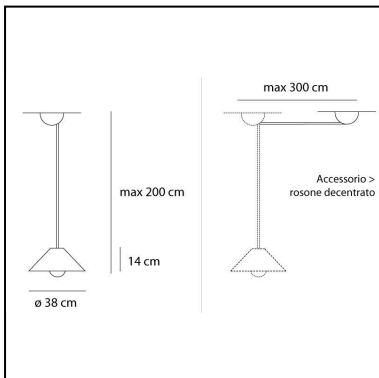
Aggregato Suspension Ø380 cono metallo piccolo

Enzo Mari

Giancarlo Fassina



IP20   **EAC**  Dimmerable: 



LUMINAIRE *

- Watt: **11W**
- Voltage: **220V-240V**

* Photometric data may vary depending on the source installed. Light measurements are provided in relative form and technical lighting calculations may be updated according to the effective source used.

Notes

Lamp with interchangeable diffusers.

DESCRIPTION

Aggregato is the result of Enzo Mari's thoughts on the logics of industrial production: a handful of basic elements make it possible to put together multiple solutions of light; it is a systemic and strictly understated thought, to illuminate all spaces. Today, three different diffusers in two sizes can be combined with a simple suspension structure or with Saliscendi a Sfera.

FEATURES

- Product Code: **A089860 + A033200**
- Colour: **Anthracite gray**
- Installation: **Suspension**
- Material: **Technopolymer, methacrylate or steel**
- Series: **Design Collection**
- Environment: **Indoor**
- Area contract: **Residential**
- Emission: **Diffused**
- design by: **Enzo Mari, Giancarlo Fassina**

DIMENSIONS

- Height: **2000 mm**
- Diameter: **380 mm**
- Glow Wire Test: **650°**

SOURCES NOT INCLUDED

- Category: **LED RETROFIT**
- Number: **1**
- Watt: **12W**
- Socket: **E27**

Accessories



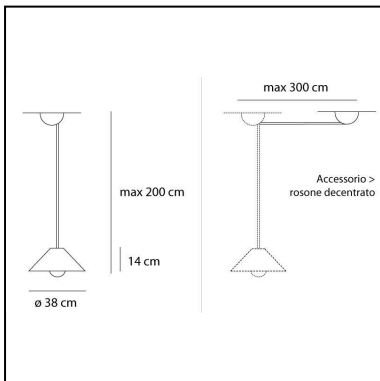
AGGREGATO SOSP
ROSONE DECENT
A086000

Aggregato Suspension Ø380 cono opalino

Enzo Mari
Giancarlo Fassina



IP20    Dimmerable:  +  -



LUMINAIRE *

- Watt: **11W**
- Voltage: **220V-240V**

* Photometric data may vary depending on the source installed. Light measurements are provided in relative form and technical lighting calculations may be updated according to the effective source used.

Notes

Lamp with interchangeable diffusers.

DESCRIPTION

Aggregato is the result of Enzo Mari's thoughts on the logics of industrial production: a handful of basic elements make it possible to put together multiple solutions of light; it is a systemic and strictly understated thought, to illuminate all spaces. Today, three different diffusers in two sizes can be combined with a simple suspension structure or with Saliscendi a Sfera.

FEATURES

- Product Code: **A089700 + A033200**
- Colour: **White**
- Installation: **Suspension**
- Material: **Technopolymer, methacrylate**
- Series: **Design Collection**
- Environment: **Indoor**
- Area contract: **Residential**
- Emission: **Diffused**
- design by: **Enzo Mari, Giancarlo Fassina**

DIMENSIONS

- Height: **2000 mm**
- Diameter: **380 mm**
- Glow Wire Test: **650°**

SOURCES NOT INCLUDED

- Category: **LED RETROFIT**
- Number: **1**
- Watt: **12W**
- Socket: **E27**

Accessories



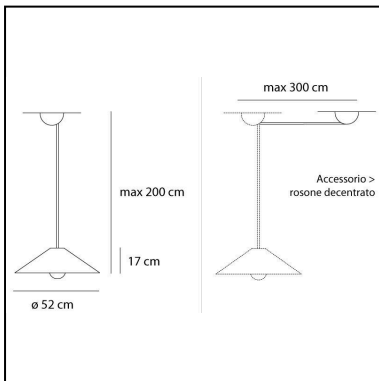
AGGREGATO SOSP
ROSONE DECENT
A086000

Aggregato Suspension Ø530 cono metallo

Enzo Mari
Giancarlo Fassina



IP20   **EAC**  Dimmerable: +  -



LUMINAIRE *

- Watt: **11W**
- Voltage: **220V-240V**

* Photometric data may vary depending on the source installed. Light measurements are provided in relative form and technical lighting calculations may be updated according to the effective source used.

Notes

Lamp with interchangeable diffusers.

DESCRIPTION

Aggregato is the result of Enzo Mari's thoughts on the logics of industrial production: a handful of basic elements make it possible to put together multiple solutions of light; it is a systemic and strictly understated thought, to illuminate all spaces. Today, three different diffusers in two sizes can be combined with a simple suspension structure or with Saliscendi a Sfera.

FEATURES

- Product Code: **A089960 + A033200**
- Colour: **Anthracite gray**
- Installation: **Suspension**
- Material: **Technopolymer, methacrylate or steel**
- Series: **Design Collection**
- Environment: **Indoor**
- Area contract: **Residential**
- Emission: **Diffused**
- design by: **Enzo Mari, Giancarlo Fassina**

DIMENSIONS

- Height: **2000 mm**
- Diameter: **530 mm**
- Glow Wire Test: **650°**

SOURCES NOT INCLUDED

- Category: **LED RETROFIT**
- Number: **1**
- Watt: **12W**
- Socket: **E27**

Accessories



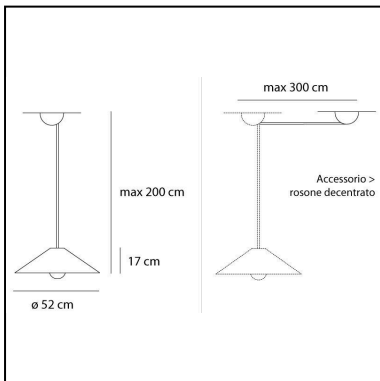
AGGREGATO SOSP
ROSONE DECENT
A086000

Aggregato Suspension Ø530 cono opalino

Enzo Mari
Giancarlo Fassina



IP20    Dimmerable:  +  -



LUMINAIRE *

- Watt: **11W**
- Voltage: **220V-240V**

* Photometric data may vary depending on the source installed. Light measurements are provided in relative form and technical lighting calculations may be updated according to the effective source used.

Notes

Lamp with interchangeable diffusers.

DESCRIPTION

Aggregato is the result of Enzo Mari's thoughts on the logics of industrial production: a handful of basic elements make it possible to put together multiple solutions of light; it is a systemic and strictly understated thought, to illuminate all spaces. Today, three different diffusers in two sizes can be combined with a simple suspension structure or with Saliscendi a Sfera.

FEATURES

- Product Code: **A089400 + A033200**
- Colour: **White**
- Installation: **Suspension**
- Material: **Technopolymer, methacrylate**
- Series: **Design Collection**
- Environment: **Indoor**
- Area contract: **Residential**
- Emission: **Diffused**
- design by: **Enzo Mari, Giancarlo Fassina**

DIMENSIONS

- Height: **2000 mm**
- Diameter: **530 mm**
- Glow Wire Test: **650°**

SOURCES NOT INCLUDED

- Category: **LED RETROFIT**
- Number: **1**
- Watt: **12W**
- Socket: **E27**

Accessories



AGGREGATO SOSP
ROSONE DECENT
A086000