


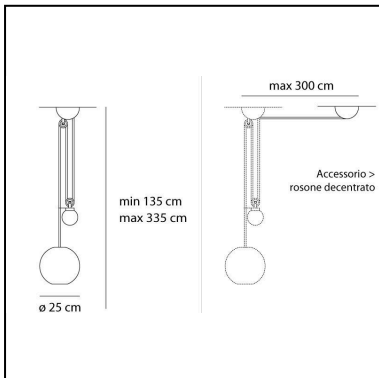
Aggregato Saliscendi Ø250 sfera

Enzo Mari

Giancarlo Fassina



IP20   Dimmerable: 



LUMINAIRE *

- Watt: **11W**
- Voltage: **220V-240V**

* Photometric data may vary depending on the source installed. Light measurements are provided in relative form and technical lighting calculations may be updated according to the effective source used.

Notes

Lamp with interchangeable diffusers.

DESCRIPTION

Aggregato is the result of Enzo Mari's thoughts on the logics of industrial production: a handful of basic elements make it possible to put together multiple solutions of light; it is a systemic and strictly understated thought, to illuminate all spaces. Today, three different diffusers in two sizes can be combined with a simple suspension structure or with Saliscendi a Sfera.

FEATURES

- Product Code: **A033100 + A089410**
- Colour: **White**
- Installation: **Suspension**
- Material: **Technopolymer, methacrylate**
- Series: **Design Collection**
- Environment: **Indoor**
- Area contract: **Residential**
- Emission: **Diffused**
- design by: **Enzo Mari, Giancarlo Fassina**

DIMENSIONS

- Height: **1350 mm**
- Diameter: **250 mm**
- Max Extension Height: **3350 mm**
- Glow Wire Test: **650°**

SOURCES NOT INCLUDED

- Category: **LED RETROFIT**
- Number: **1**
- Watt: **12W**
- Socket: **E27**

Accessories



AGGREGATO SOSP
ROSONE DECENT
A086000

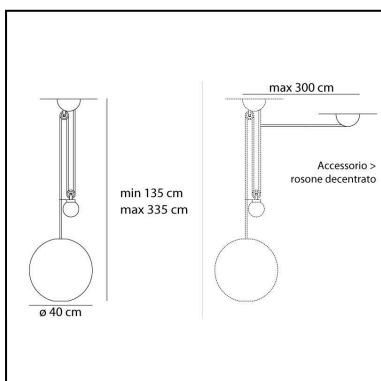
Aggregato Saliscendi Ø400 sfera

Enzo Mari

Giancarlo Fassina



IP20   Dimmerable: 



LUMINAIRE *

- Watt: **11W**
- Voltage: **220V-240V**

* Photometric data may vary depending on the source installed. Light measurements are provided in relative form and technical lighting calculations may be updated according to the effective source used.

Notes

Lamp with interchangeable diffusers.

DESCRIPTION

Aggregato is the result of Enzo Mari's thoughts on the logics of industrial production: a handful of basic elements make it possible to put together multiple solutions of light; it is a systemic and strictly understated thought, to illuminate all spaces. Today, three different diffusers in two sizes can be combined with a simple suspension structure or with Saliscendi a Sfera.

FEATURES

- Product Code: **A089412 + A033100**
- Colour: **White**
- Installation: **Suspension**
- Material: **Technopolymer, methacrylate**
- Series: **Design Collection**
- Environment: **Indoor**
- Area contract: **Residential**
- Emission: **Diffused**
- design by: **Enzo Mari, Giancarlo Fassina**

DIMENSIONS

- Height: **1350 mm**
- Diameter: **400 mm**
- Max Extension Height: **3350 mm**
- Glow Wire Test: **650°**

SOURCES NOT INCLUDED

- Category: **LED RETROFIT**
- Number: **1**
- Watt: **12W**
- Socket: **E27**

Accessories



AGGREGATO SOSP
ROSONE DECENT
A086000