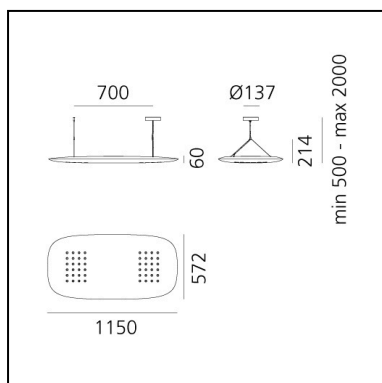


ALE.01 - 3000K - Brown

Hassell



IP20   Dimmerable: 



LUMINAIRE

- Watt: **2x21W + 27W**
- CCT: **3000K**
- Efficacy: **108lm/W**
- CRI: **90**
- Dimmable Typology: **Dali**

Notes

Recommended installation: 1350mm from the working surface

DESCRIPTION

ALE.01 is a suspension lamp that offers multiple user adjustable options. It follows different lighting requirements over the course of the day, giving value to the perception and well-being of the individual but also paying attention to a conscious and responsible use of light energy.

ALE.01 is an example of sustainability along all its life cycle: it combines a careful and free lighting management in the use phase with innovative recycled and recyclable materials. The shell of the product is made of a biocomposite material containing natural wood fibers, mixed with a base of bio-based (PHB) or recycled polymers. This material choice reduces the use of natural resources by restoring value to FSC-certified organic wood waste through a process that makes it reusable as a replacement for more traditional plastic materials.

ALE.01 combines two different emissions, manageable separately, with an indirect diffused one.

The modules dedicated to direct emission consist of a series of highly efficient LED sources controlled by the patented Reflective optical technology. The lens picks up 100% of the flux and controls it, the geometry of the body itself shields the vision of the sources at certain angles for a glare-free and uniform illumination, perfect for the office.

Each optical unit works as a task light thanks to personal control, ensuring precise, uniform illumination of a high perceptive quality of the light on the desk surface. The management can combine direct individual control of the device with the use of sensors or programming. The light can be adapted to the needs of each space and task according to activities and in harmony with natural light for a positive energy balance.

FEATURES

- Product Code: **1075010A**
- Colour: **Brown**
- Installation: **Suspension**
- Series: **Design Collection**
- Environment: **Indoor**
- design by: **Hassell**

DIMENSIONS

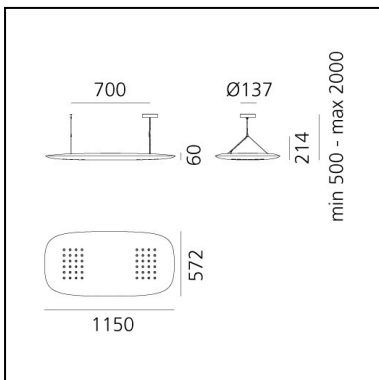
- Length: **1150 mm**
- Width: **570 mm**
- Height: **56 mm**

ALE.01 - 3000K - Dove

Hassell



IP20   Dimmerable: 



LUMINAIRE

- Watt: **2x21W + 27W**
- CCT: **3000K**
- Efficacy: **108lm/W**
- CRI: **90**
- Dimmable Typology: **Dali**

Notes

Recommended installation: 1350mm from the working surface

DESCRIPTION

ALE.01 is a suspension lamp that offers multiple user adjustable options. It follows different lighting requirements over the course of the day, giving value to the perception and well-being of the individual but also paying attention to a conscious and responsible use of light energy.

ALE.01 is an example of sustainability along all its life cycle: it combines a careful and free lighting management in the use phase with innovative recycled and recyclable materials.

The shell of the product is made of a biocomposite material containing natural wood fibers, mixed with a base of bio-based (PHB) or recycled polymers. This material choice reduces the use of natural resources by restoring value to FSC-certified organic wood waste through a process that makes it reusable as a replacement for more traditional plastic materials.

ALE.01 combines two different emissions, manageable separately, with an indirect diffused one.

The modules dedicated to direct emission consist of a series of highly efficient LED sources controlled by the patented Reflective optical technology. The lens picks up 100% of the flux and controls it, the geometry of the body itself shields the vision of the sources at certain angles for a glare-free and uniform illumination, perfect for the office.

Each optical unit works as a task light thanks to personal control, ensuring precise, uniform illumination of a high perceptive quality of the light on the desk surface. The management can combine direct individual control of the device with the use of sensors or programming. The light can be adapted to the needs of each space and task according to activities and in harmony with natural light for a positive energy balance.

FEATURES

- Product Code: **1075020A**
- Colour: **Dove**
- Installation: **Suspension**
- Series: **Design Collection**
- Environment: **Indoor**
- design by: **Hassell**

DIMENSIONS

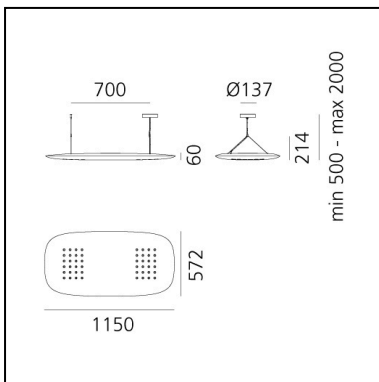
- Length: **1150 mm**
- Width: **570 mm**
- Height: **56 mm**

ALE.01 - 4000K - Brown

Hassell



IP20   Dimmerable: 



LUMINAIRE

- Watt: **2x21W + 27W**
- CCT: **4000K**
- Efficacy: **108lm/W**
- CRI: **90**
- Dimmable Typology: **Dali**

Notes

Recommended installation: 1350mm from the working surface

DESCRIPTION

ALE.01 is a suspension lamp that offers multiple user adjustable options. It follows different lighting requirements over the course of the day, giving value to the perception and well-being of the individual but also paying attention to a conscious and responsible use of light energy.

ALE.01 is an example of sustainability along all its life cycle: it combines a careful and free lighting management in the use phase with innovative recycled and recyclable materials.

The shell of the product is made of a biocomposite material containing natural wood fibers, mixed with a base of bio-based (PHB) or recycled polymers. This material choice reduces the use of natural resources by restoring value to FSC-certified organic wood waste through a process that makes it reusable as a replacement for more traditional plastic materials.

ALE.01 combines two different emissions, manageable separately, with an indirect diffused one.

The modules dedicated to direct emission consist of a series of highly efficient LED sources controlled by the patented Reflective optical technology. The lens picks up 100% of the flux and controls it, the geometry of the body itself shields the vision of the sources at certain angles for a glare-free and uniform illumination, perfect for the office.

Each optical unit works as a task light thanks to personal control, ensuring precise, uniform illumination of a high perceptive quality of the light on the desk surface. The management can combine direct individual control of the device with the use of sensors or programming. The light can be adapted to the needs of each space and task according to activities and in harmony with natural light for a positive energy balance.

FEATURES

- Product Code: **1075N10A**
- Colour: **Brown**
- Installation: **Suspension**
- Series: **Design Collection**
- Environment: **Indoor**
- design by: **Hassell**

DIMENSIONS

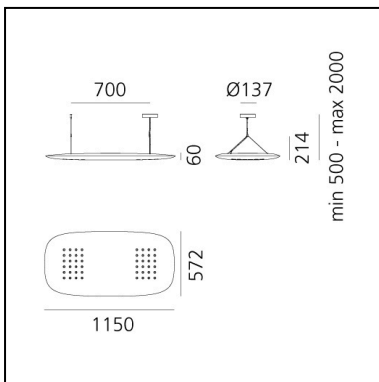
- Length: **1150 mm**
- Width: **570 mm**
- Height: **56 mm**

ALE.01 - 4000K - Dove

Hassell



IP20   Dimmerable: 



LUMINAIRE

- Watt: **2x21W + 27W**
- CCT: **4000K**
- Efficacy: **108lm/W**
- CRI: **90**
- Dimmable Typology: **Dali**

Notes

Recommended installation: 1350mm from the working surface

DESCRIPTION

ALE.01 is a suspension lamp that offers multiple user adjustable options. It follows different lighting requirements over the course of the day, giving value to the perception and well-being of the individual but also paying attention to a conscious and responsible use of light energy.

ALE.01 is an example of sustainability along all its life cycle: it combines a careful and free lighting management in the use phase with innovative recycled and recyclable materials. The shell of the product is made of a biocomposite material containing natural wood fibers, mixed with a base of bio-based (PHB) or recycled polymers. This material choice reduces the use of natural resources by restoring value to FSC-certified organic wood waste through a process that makes it reusable as a replacement for more traditional plastic materials.

ALE.01 combines two different emissions, manageable separately, with an indirect diffused one.

The modules dedicated to direct emission consist of a series of highly efficient LED sources controlled by the patented Reflective optical technology. The lens picks up 100% of the flux and controls it, the geometry of the body itself shields the vision of the sources at certain angles for a glare-free and uniform illumination, perfect for the office.

Each optical unit works as a task light thanks to personal control, ensuring precise, uniform illumination of a high perceptive quality of the light on the desk surface. The management can combine direct individual control of the device with the use of sensors or programming. The light can be adapted to the needs of each space and task according to activities and in harmony with natural light for a positive energy balance.

FEATURES

- Product Code: **1075N20A**
- Colour: **Dove**
- Installation: **Suspension**
- Series: **Design Collection**
- Environment: **Indoor**
- design by: **Hassell**

DIMENSIONS

- Length: **1150 mm**
- Width: **570 mm**
- Height: **56 mm**