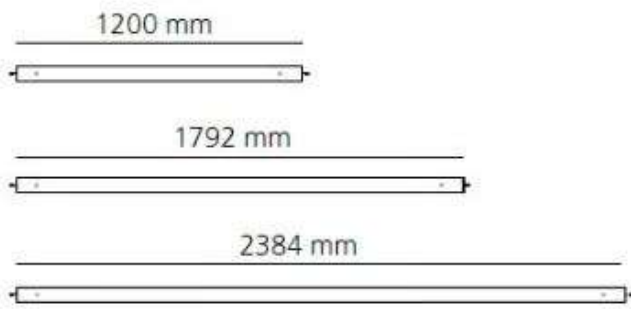


Dimensions

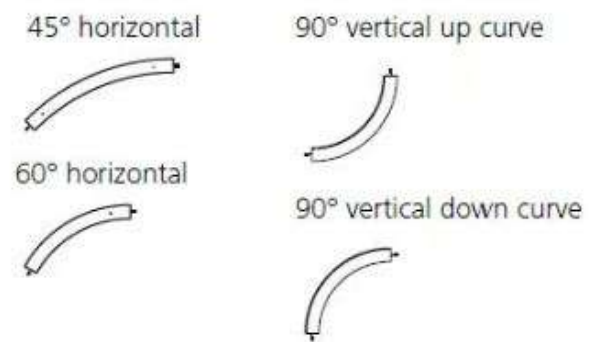


Modules length: 7 / 60 / 120 / 179 cm

Linear modules



Curved modules



Opal White



XF



The APP driver can not be controlled by DALI dimming system and viceversa.

MacAdam 3SDCM
Life L80 (12K) 72000h
CRI = 80

IP20

WALL/CEILING LINEAR ELEMENTS

Length	W	V	Flux	CCT	Powered	Semi-recessed powered	Not powered
					Code	Code	Code
600 mm terminal	11 W	24V	968 lm	3000K	2130010A	2160010A	2131010A
				3500K	2130C10A	2160C10A	2131C10A
600 mm intermediate	11 W	24V	968 lm	3000K			2132010A
				3500K			2132C10A
1200 mm terminal	22 W	24V	1936 lm	3000K	2134010A	2161010A	2136010A
				3500K	2134C10A	2161C10A	2136C10A
1200 mm intermediate	22 W	24V	1936 lm	3000K	2135010A	2162010A	2137010A
				3500K	2135C10A	2162C10A	2137C10A
1800 mm terminal	33 W	24V	2904 lm	3000K	2138010A	2163010A	2140010A
				3500K	2138C10A	2163C10A	2140C10A
1800 mm intermediate	33 W	24V	2904 lm	3000K	2139010A	2164010A	2141010A
				3500K	2139C10A	2164C10A	2141C10A

WALL/CEILING CURVED ELEMENTS

Length	W	V	Flux	CCT	Powered	Semi-recessed powered	Not powered
					Code	Code	Code
45° terminal left	8 W	24V	968 lm	3000K	2142010A	2165010A	2145010A
				3500K	2142C10A	2165C10A	2145C10A
45° terminal right	8 W	24V	968 lm	3000K	2143010A	2166010A	2146010A
				3500K	2143C10A	2166C10A	2146C10A
45° intermediate	8 W	24V	968 lm	3000K	2144010A	2167010A	2147010A
				3500K	2144C10A	2167C10A	2147C10A
60° terminal left	8 W	24V	728 lm	3000K	2148010A	2168010A	2151010A
				3500K	2148C10A	2168C10A	2151C10A
60° terminal right	8 W	24V	728 lm	3000K	2149010A	2169010A	2152010A
				3500K	2149C10A	2169C10A	2152C10A
60° intermediate	8 W	24V	728 lm	3000K	2150010A	2170010A	2153010A
				3500K	2150C10A	2170C10A	2153C10A

VERTICAL ELEMENTS

Length	W	V	Flux	CCT
90° vertical UP	8 W	24V	728 lm	3000K
				3500K
90° vertical DOWN	8 W	24V	728 lm	3000K
				3500K

Not powered

Code
2124010A
2124C10A
2125010A
2125C10A

Accessories

	Joint n°	Code
Linear - linear joint	01	2250010A
Linear - curve 45° right joint	02	2251010A
Linear - curve 45° left joint	03	2252010A
45° curve - 45° curve joint	04	2255010A
Linear - curve 60° right joint	05	2253010A
Linear - curve 60° left joint	06	2254010A
60° curve - 60° curve joint	07	2256010A
60° curve - 45° curve S joint	08	2257010A
45° curve left - 45° curve left S joint	09	2260010A
60° curve left - 60° curve left S joint	10	2259010A
60°/45° curve left - 45°/60° curve right joint	11	2261010A
60°/45° curve right - 45°/60° curve left joint	12	2262010A
90° vertical UP - 90° vertical DOWN S joint	13	2263010A
Lineare - 90° vertical UP joint	14	2264010A
Linear - 90° vertical DOWN joint	15	2265010A
45° curve - 60° curve S joint	16	2258010A
60° curve right - 60° curve right joint	17	2269010A
45° curve right - 45° curve right joint	18	2270010A

Wall/Ceiling accessories

	Code
Rose / power	2268010A
Rose / power APP	2268010APP
Driver for recessed version (240W, 220-240 VAC, IP67, L240 X W67 X H35, DALI)	2271010A
BLL MODULE for APP management in the recessed version	2271010APP