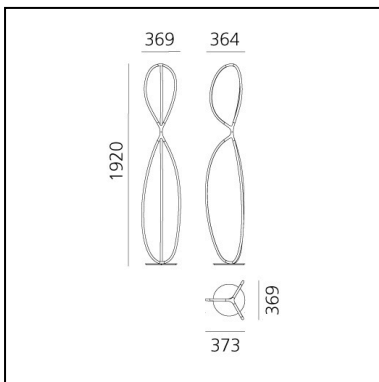


# Arrival floor - Gold - APP Compatible

Ludovica+Roberto Palomba



IP20  



## LUMINAIRE

- Watt: **77W**
- Delivered lumen output: **2422lm**
- CCT: **3000K**
- Efficiency: **35%**
- Efficacy: **31.46lm/W**
- CRI: **90**
- Dimmer Typology: **Touch Dimmer su cavo**

## Accessories



Device for switching and controlling Artemide App products. Max N.3 inputs for external push buttons. Max 1m distance. Mains power supply required. To be installed inside flush mounting boxes or junction boxes. DV1080APP

## DESCRIPTION

Arrival is a complete lamp family with dynamic, flowing shapes that sculpt light with delicate, graphic lines. Branching out from a central joint, common to all the different versions, each model has three arms that form a soft, organic geometric shape through a profile that is both light and structure. Each element has a section that leaves the aluminium profile visible from the outside while generating a light-diffusing surface inside. The resulting elements blend into spaces with a presence that is discreet yet distinctive thanks to the shape and quality of the softly diffused light. These are elegant lighting tools, perfect for use in multiple series or for combining the different versions together depending on the requirements of the installation spaces.

## FEATURES

- Product Code: **1552010APP**
- Colour: **Gold**
- Installation: **Floor**
- Material: **Aluminium, silicone**
- Series: **Design Collection**
- design by: **Ludovica+Roberto Palomba**

## DIMENSIONS

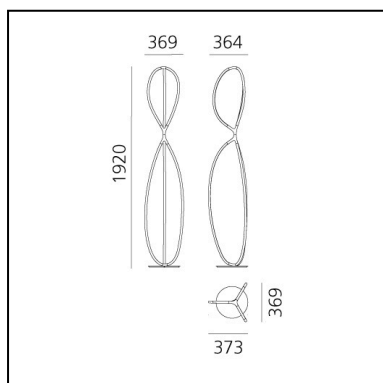
- Length: **373 mm**
- Width: **369 mm**
- Height: **1920 mm**

# Arrival floor - Matt Black - APP Compatible

Ludovica+Roberto Palomba



IP20  



## LUMINAIRE

- Watt: **77W**
- Delivered lumen output: **2422lm**
- CCT: **3000K**
- Efficiency: **35%**
- Efficacy: **31.46lm/W**
- CRI: **90**
- Dimmer Typology: **Touch Dimmer su cavo**

## DESCRIPTION

Arrival is a complete lamp family with dynamic, flowing shapes that sculpt light with delicate, graphic lines. Branching out from a central joint, common to all the different versions, each model has three arms that form a soft, organic geometric shape through a profile that is both light and structure. Each element has a section that leaves the aluminium profile visible from the outside while generating a light-diffusing surface inside. The resulting elements blend into spaces with a presence that is discreet yet distinctive thanks to the shape and quality of the softly diffused light. These are elegant lighting tools, perfect for use in multiple series or for combining the different versions together depending on the requirements of the installation spaces.

## FEATURES

- Product Code: **1552030APP**
- Colour: **Matt Black**
- Installation: **Floor**
- Material: **Aluminium, silicone**
- Series: **Design Collection**
- design by: **Ludovica+Roberto Palomba**

## DIMENSIONS

- Length: **373 mm**
- Width: **369 mm**
- Height: **1920 mm**

**Accessories**

Device for switching and controlling Artemide App products. Max N.3 inputs for external push buttons. Max 1m distance. Mains power supply required. To be installed inside flush mounting boxes or junction boxes. DV1080APP