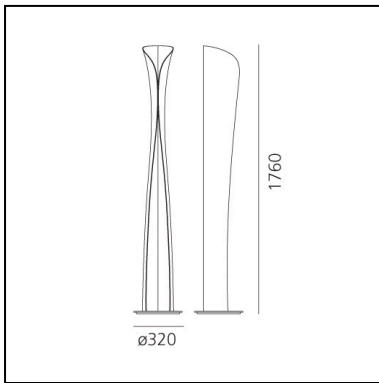


# Cadmo Floor - LED - Black/White 2700K

Karim Rashid



IP20   



## LUMINAIRE \*

- Watt: **44W**
- Voltage: **220V-240V**
- Delivered lumen output: **3831lm**
- CCT: **2700K**
- Efficiency: **90%**
- Efficacy: **87.06lm/W**
- CRI: **90**

\* Photometric data may vary depending on the source installed. Light measurements are provided in relative form and technical lighting calculations may be updated according to the effective source used.

## Notes

Lamp included. With touch dimmer.

## DESCRIPTION

Floor and wall lamp. A steel panel screens and releases a soft indirect light upwards together with a diffused light along the vertical aperture of the lamp. Painted steel body lamp, with cover-base in painted inox-steel. With light intensity regulator.

## FEATURES

- Product Code: **1361W10A**
- Colour: **Black / White**
- Installation: **Floor**
- Material: **Steel**
- Series: **Design Collection**
- Environment: **Indoor**
- Area contract: **Hospitality, Residential**
- Emission: **Indirect And Diffused**
- design by: **Karim Rashid**

## DIMENSIONS

- Height: **1740 mm**
- Diameter: **320 mm**

## SOURCES INCLUDED

- Category: **Led**
- Number: **1**
- Watt: **44W**
- Delivered lumen output: **3868lm**
- Color temperature (K): **2700K**
- CRI: **90**
- Color Tolerance: **MacAdam 3SDCM**

## SOURCES NOT INCLUDED

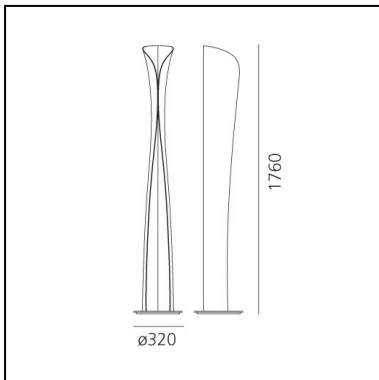
- Category: **LED RETROFIT**
- Number: **1**
- Watt: **10W**
- Socket: **GU10**
- Color temperature (K): **2700K**

# Cadmo Floor - LED - Black/White 3000K

Karim Rashid



IP20   



## LUMINAIRE \*

- Watt: **44W**
- Voltage: **220V-240V**
- Delivered lumen output: **4003lm**
- CCT: **3000K**
- Efficiency: **90%**
- Efficacy: **90.98lm/W**
- CRI: **90**

\* Photometric data may vary depending on the source installed. Light measurements are provided in relative form and technical lighting calculations may be updated according to the effective source used.

## Notes

Lamp included. With touch dimmer.

## DESCRIPTION

Floor and wall lamp. A steel panel screens and releases a soft indirect light upwards together with a diffused light along the vertical aperture of the lamp. Painted steel body lamp, with cover-base in painted inox-steel. With light intensity regulator.

## FEATURES

- Product Code: **1361010A**
- Colour: **Black / White**
- Installation: **Floor**
- Material: **Steel**
- Series: **Design Collection**
- Environment: **Indoor**
- Area contract: **Hospitality, Residential**
- Emission: **Indirect And Diffused**
- design by: **Karim Rashid**

## DIMENSIONS

- Height: **1740 mm**
- Diameter: **320 mm**

## SOURCES INCLUDED

- Category: **Led**
- Number: **1**
- Watt: **44W**
- Delivered lumen output: **4042lm**
- Color temperature (K): **3000K**
- CRI: **90**
- Color Tolerance: **MacAdam 3SDCM**

## SOURCES NOT INCLUDED

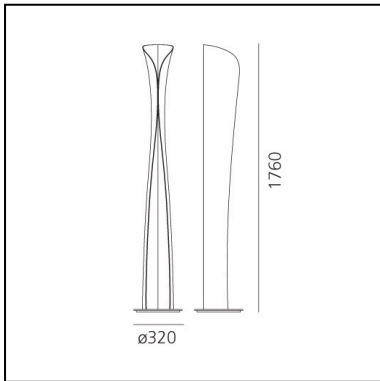
- Category: **LED RETROFIT**
- Number: **1**
- Watt: **10W**
- Socket: **GU10**
- Color temperature (K): **3000K**

# Cadmo Floor - LED - White/White 2700K

Karim Rashid



IP20   



## LUMINAIRE \*

- Watt: **44W**
- Voltage: **220V-240V**
- Delivered lumen output: **3831lm**
- CCT: **2700K**
- Efficiency: **90%**
- Efficacy: **87.06lm/W**
- CRI: **90**

\* Photometric data may vary depending on the source installed. Light measurements are provided in relative form and technical lighting calculations may be updated according to the effective source used.

## Notes

Lamp included. With touch dimmer.

## DESCRIPTION

Floor and wall lamp. A steel panel screens and releases a soft indirect light upwards together with a diffused light along the vertical aperture of the lamp. Painted steel body lamp, with cover-base in painted inox-steel. With light intensity regulator.

## FEATURES

- Product Code: **1361W20A**
- Colour: **White / White**
- Installation: **Floor**
- Material: **Steel**
- Series: **Design Collection**
- Environment: **Indoor**
- Area contract: **Hospitality, Residential**
- Emission: **Indirect And Diffused**
- design by: **Karim Rashid**

## DIMENSIONS

- Height: **1740 mm**
- Diameter: **320 mm**

## SOURCES INCLUDED

- Category: **Led**
- Number: **1**
- Watt: **44W**
- Delivered lumen output: **3868lm**
- Color temperature (K): **2700K**
- CRI: **90**
- Color Tolerance: **MacAdam 3SDCM**

## SOURCES NOT INCLUDED

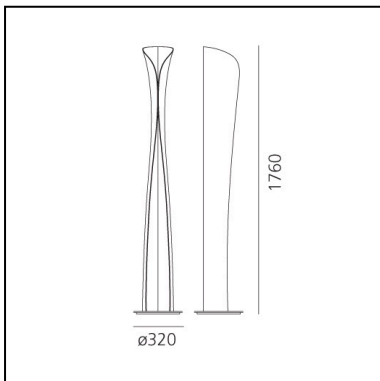
- Category: **LED RETROFIT**
- Number: **1**
- Watt: **10W**
- Socket: **GU10**
- Color temperature (K): **2700K**

# Cadmo Floor - LED - White/White 3000K

Karim Rashid



IP20  



## LUMINAIRE \*

- Watt: **44W**
- Voltage: **220V-240V**
- Delivered lumen output: **4003lm**
- CCT: **3000K**
- Efficiency: **90%**
- Efficacy: **90.98lm/W**
- CRI: **90**

\* Photometric data may vary depending on the source installed.  
Light measurements are provided in relative form and technical  
lighting calculations may be updated according to the effective  
source used.

## Notes

Lamp included. With touch dimmer.

## DESCRIPTION

Floor and wall lamp. A steel panel screens and releases a soft indirect light upwards together with a diffused light along the vertical aperture of the lamp. Painted steel body lamp, with cover-base in painted inox-steel. With light intensity regulator.

## FEATURES

- Product Code: **1361020A**
- Colour: **White / White**
- Installation: **Floor**
- Material: **Steel**
- Series: **Design Collection**
- Environment: **Indoor**
- Area contract: **Hospitality, Residential**
- Emission: **Indirect And Diffused**
- design by: **Karim Rashid**

## DIMENSIONS

- Height: **1740 mm**
- Diameter: **320 mm**

## SOURCES INCLUDED

- Category: **Led**
- Number: **1**
- Watt: **44W**
- Delivered lumen output: **4042lm**
- Color temperature (K): **3000K**
- CRI: **90**
- Color Tolerance: **MacAdam 3SDCM**

## SOURCES NOT INCLUDED

- Category: **LED RETROFIT**
- Number: **1**
- Watt: **10W**
- Socket: **GU10**
- Color temperature (K): **3000K**