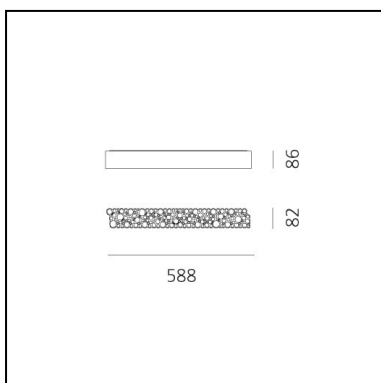


Calipso Linear System 60 Ceiling

Neil Poulton



IP20    Dimmerable: 



LUMINAIRE

- Watt: **22W**
- Delivered lumen output: **1492lm**
- CCT: **3000K**
- Efficiency: **58%**
- Efficacy: **67.84lm/W**
- CRI: **90**
- Dimmable Typology: **Push/DALI**

Notes

APP driver can not be controlled by a DALI dimming/Push system and viceversa.

In any APP configurations there must be only one App module (master) while the others must be DALI.

DESCRIPTION

The unique honeycomb grill of Calipso was generated by feeding a photo of the moon into an image-based algorithm found on a seemingly extinct computer. The resulting fractal shape, an impure geometry that displays the irregular beauty of nature, is built from an organic honeycomb of different diameter tubes, seemingly arranged in a random geometry. This honeycomb characterizes the lamp both aesthetically and optically - not only is it visually pleasing, but it also provides an even and comfortable light emission. The result is a highly emotional lighting object that joins together optical and aesthetic intelligence. A product positioned perfectly half-way between home and professional use, Calipso is suited to a variety of applications - expressing Artemide's traditional approach to deliver high performance lighting with a unique and emotional expressiveness.

FEATURES

- Product Code: **2010010A**
- Colour: **White**
- Installation: **Ceiling**
- Material: **Technopolymer, aluminium**
- Series: **Design Collection, Architectural Indoor**
- Environment: **Indoor**
- design by: **Neil Poulton**

DIMENSIONS

- Length: **588 mm**
- Width: **79 mm**
- Height: **72 mm**

SOURCES INCLUDED

- Category: **Led**
- Number: **1**
- Watt: **19,4W**
- Delivered lumen output: **2400lm**
- Color temperature (K): **3000K**
- CRI: **90**
- Efficacy: **124lm/W**
- Service Life: **50000-L70**

Accessories



Intermediate linear joint - Ceiling - It allows to mechanically connect two modules in-line
2025010A



End cap kit - Ceiling (2 pcs) 2026010A



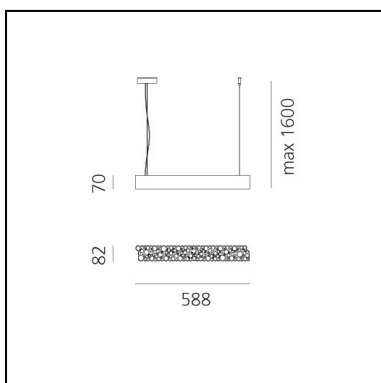
Joint 90° kit - Ceiling (dx+sx) - It allows to mechanically connect two modules at 90°
2027010A

Calipso Linear System 60 Suspension

Neil Poulton



IP20    Dimmerable: 



LUMINAIRE

- Watt: **22W**
- Delivered lumen output: **1492lm**
- CCT: **3000K**
- Efficiency: **58%**
- Efficacy: **67.84lm/W**
- CRI: **90**
- Dimmable Typology: **Push/DALI**

Notes

APP driver can not be controlled by a DALI dimming/Push system and viceversa.
In any APP configurations there must be only one App module (master) while the others must be DALI.

DESCRIPTION

The unique honeycomb grill of Calipso was generated by feeding a photo of the moon into an image-based algorithm found on a seemingly extinct computer. The resulting fractal shape, an impure geometry that displays the irregular beauty of nature, is built from an organic honeycomb of different diameter tubes, seemingly arranged in a random geometry. This honeycomb characterizes the lamp both aesthetically and optically - not only is it visually pleasing, but it also provides an even and comfortable light emission. The result is a highly emotional lighting object that joins together optical and aesthetic intelligence. A product positioned perfectly half-way between home and professional use, Calipso is suited to a variety of applications - expressing Artemide's traditional approach to deliver high performance lighting with a unique and emotional expressiveness.

FEATURES

- Product Code: **2013010A**
- Colour: **White**
- Installation: **Suspension**
- Material: **Technopolymer, aluminium**
- Series: **Design Collection, Architectural Indoor**
- Environment: **Indoor**
- design by: **Neil Poulton**

DIMENSIONS

- Length: **588 mm**
- Width: **79 mm**
- Height: **72 mm**
- Max Height from ceiling: **2000 mm**

SOURCES INCLUDED

- Category: **Led**
- Number: **1**
- Watt: **19,4W**
- Delivered lumen output: **2400lm**
- Color temperature (K): **3000K**
- CRI: **90**
- Efficacy: **124lm/W**
- Service Life: **50000-L70**

Accessories



End caps kit - Suspension (2pcs) 2022010A



Joint 90° kit - Suspension (dx/sx) - It allows to mechanically connect two modules at 90° 2023010A



Intermediate linear joint - Suspension - It allows to mechanically connect two modules in-line 2021010A



Power supply kit suspension - Terminal and angular (1 steel suspension cable + 1 alimentation cable) - It allows feeding at the series of modules end or at a joint 90° 2020010A



Connection cable - Suspension - It allows to use "Power supply kit - terminal and angular" as an intermediate power supply between two in-line modules 2024010A



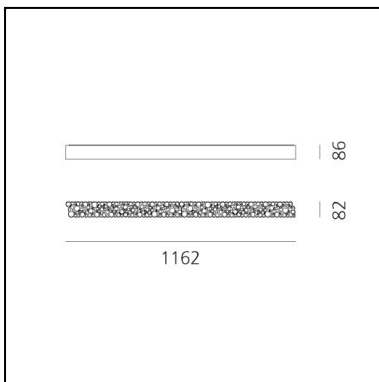
Suspension Kit - Length 1.5 meters 2266010A

Calipso Linear System 120 Ceiling

Neil Poulton



IP20    Dimmerable: 



LUMINAIRE

- Watt: **43W**
- Delivered lumen output: **2985lm**
- CCT: **3000K**
- Efficiency: **58%**
- Efficacy: **69.41lm/W**
- CRI: **90**
- Dimmable Typology: **Push/DALI**

Notes

APP driver can not be controlled by a DALI dimming/Push system and viceversa.

In any APP configurations there must be only one App module (master) while the others must be DALI.

DESCRIPTION

The unique honeycomb grill of Calipso was generated by feeding a photo of the moon into an image-based algorithm found on a seemingly extinct computer. The resulting fractal shape, an impure geometry that displays the irregular beauty of nature, is built from an organic honeycomb of different diameter tubes, seemingly arranged in a random geometry. This honeycomb characterizes the lamp both aesthetically and optically - not only is it visually pleasing, but it also provides an even and comfortable light emission. The result is a highly emotional lighting object that joins together optical and aesthetic intelligence. A product positioned perfectly half-way between home and professional use, Calipso is suited to a variety of applications - expressing Artemide's traditional approach to deliver high performance lighting with a unique and emotional expressiveness.

FEATURES

- Product Code: **2011010A**
- Colour: **White**
- Installation: **Ceiling**
- Material: **Technopolymer, aluminium**
- Series: **Design Collection, Architectural Indoor**
- Environment: **Indoor**
- design by: **Neil Poulton**

DIMENSIONS

- Length: **1162 mm**
- Width: **79 mm**
- Height: **72 mm**

SOURCES INCLUDED

- Category: **Led**
- Number: **1**
- Watt: **39W**
- Delivered lumen output: **4800lm**
- Color temperature (K): **3000K**
- CRI: **90**
- Efficacy: **123lm/W**
- Service Life: **50000-L70**

Accessories



Intermediate linear joint - Ceiling - It allows to mechanically connect two modules in-line
2025010A



End cap kit - Ceiling (2 pcs) 2026010A



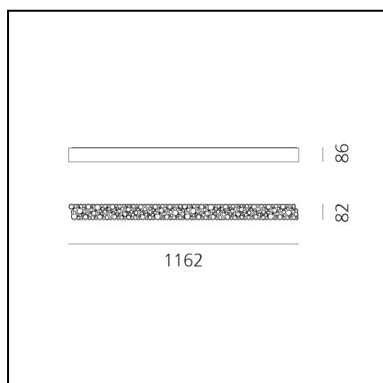
Joint 90° kit - Ceiling (dx+sx) - It allows to mechanically connect two modules at 90°
2027010A

Calipso Linear System 120 Ceiling - APP Compatible

Neil Poulton



IP20    Dimmerable: 



LUMINAIRE

- Watt: **43W**
- Delivered lumen output: **2985lm**
- CCT: **3000K**
- Efficiency: **58%**
- Efficacy: **69.41lm/W**
- CRI: **90**
- Dimmable Typology: **Push & APP**

Notes

APP driver can not be controlled by a DALI dimming/Push system and viceversa.

In any APP configurations there must be only one App module (master) while the others must be DALI.

DESCRIPTION

The unique honeycomb grill of Calipso was generated by feeding a photo of the moon into an image-based algorithm found on a seemingly extinct computer. The resulting fractal shape, an impure geometry that displays the irregular beauty of nature, is built from an organic honeycomb of different diameter tubes, seemingly arranged in a random geometry. This honeycomb characterizes the lamp both aesthetically and optically - not only is it visually pleasing, but it also provides an even and comfortable light emission. The result is a highly emotional lighting object that joins together optical and aesthetic intelligence. A product positioned perfectly half-way between home and professional use, Calipso is suited to a variety of applications - expressing Artemide's traditional approach to deliver high performance lighting with a unique and emotional expressiveness.

FEATURES

- Product Code: **2011010APP**
- Colour: **White**
- Installation: **Ceiling**
- Material: **Technopolymer, aluminium**
- Series: **Design Collection, Architectural Indoor**
- Environment: **Indoor**
- design by: **Neil Poulton**

DIMENSIONS

- Length: **1162 mm**
- Width: **79 mm**
- Height: **72 mm**

SOURCES INCLUDED

- Category: **Led**
- Number: **1**
- Watt: **39W**
- Delivered lumen output: **4800lm**
- Color temperature (K): **3000K**
- CRI: **90**
- Efficacy: **123lm/W**
- Service Life: **50000-L70**

Accessories



Intermediate linear joint - Ceiling - It allows to mechanically connect two modules in-line
2025010A



Device for switching and controlling Artemide App products. Max N.3 inputs for external push buttons. Max 1m distance. Mains power supply required. To be installed inside flush mounting boxes or junction boxes. DV1080APP



End cap kit - Ceiling (2 pcs) 2026010A



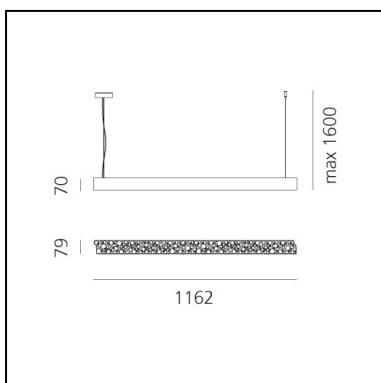
Joint 90° kit - Ceiling (dx+sx) - It allows to mechanically connect two modules at 90° 2027010A

Calipso Linear System 120 Suspension

Neil Poulton



IP20    Dimmerable: 



LUMINAIRE

- Watt: **43W**
- Delivered lumen output: **2985lm**
- CCT: **3000K**
- Efficiency: **58%**
- Efficacy: **69.41lm/W**
- CRI: **90**
- Dimmable Typology: **Push/DALI**

Notes

APP driver can not be controlled by a DALI dimming/Push system and viceversa.
In any APP configurations there must be only one App module (master) while the others must be DALI.

DESCRIPTION

The unique honeycomb grill of Calipso was generated by feeding a photo of the moon into an image-based algorithm found on a seemingly extinct computer. The resulting fractal shape, an impure geometry that displays the irregular beauty of nature, is built from an organic honeycomb of different diameter tubes, seemingly arranged in a random geometry. This honeycomb characterizes the lamp both aesthetically and optically - not only is it visually pleasing, but it also provides an even and comfortable light emission. The result is a highly emotional lighting object that joins together optical and aesthetic intelligence. A product positioned perfectly half-way between home and professional use, Calipso is suited to a variety of applications - expressing Artemide's traditional approach to deliver high performance lighting with a unique and emotional expressiveness.

FEATURES

- Product Code: **2014010A**
- Colour: **White**
- Installation: **Suspension**
- Material: **Technopolymer, aluminium**
- Series: **Design Collection, Architectural Indoor**
- Environment: **Indoor**
- design by: **Neil Poulton**

DIMENSIONS

- Length: **1162 mm**
- Width: **79 mm**
- Height: **72 mm**
- Max Height from ceiling: **2000 mm**

SOURCES INCLUDED

- Category: **Led**
- Number: **1**
- Watt: **39W**
- Delivered lumen output: **4800lm**
- Color temperature (K): **3000K**
- CRI: **90**
- Efficacy: **123lm/W**
- Service Life: **50000-L70**

Accessories



End caps kit - Suspension (2pcs) 2022010A



Joint 90° kit - Suspension (dx/sx) - It allows to mechanically connect two modules at 90° 2023010A



Intermediate linear joint - Suspension - It allows to mechanically connect two modules in-line 2021010A



Power supply kit suspension - Terminal and angular (1 steel suspension cable + 1 alimentation cable) - It allows feeding at the series of modules end or at a joint 90° 2020010A



Connection cable - Suspension - It allows to use "Power supply kit - terminal and angular" as an intermediate power supply between two in-line modules 2024010A



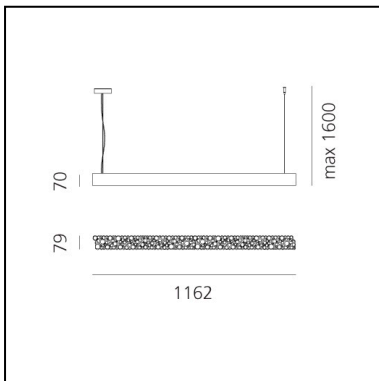
Suspension Kit - Length 1.5 meters 2266010A

Calipso Linear System 120 Suspension - APP Compatible

Neil Poulton



IP20    Dimmerable: 



LUMINAIRE

- Watt: **43W**
- Delivered lumen output: **2985lm**
- CCT: **3000K**
- Efficiency: **58%**
- Efficacy: **69.41lm/W**
- CRI: **90**
- Dimmable Typology: **Push & APP**

Notes

APP driver can not be controlled by a DALI dimming/Push system and viceversa.

In any APP configurations there must be only one App module (master) while the others must be DALI.

DESCRIPTION

The unique honeycomb grill of Calipso was generated by feeding a photo of the moon into an image-based algorithm found on a seemingly extinct computer. The resulting fractal shape, an impure geometry that displays the irregular beauty of nature, is built from an organic honeycomb of different diameter tubes, seemingly arranged in a random geometry. This honeycomb characterizes the lamp both aesthetically and optically - not only is it visually pleasing, but it also provides an even and comfortable light emission. The result is a highly emotional lighting object that joins together optical and aesthetic intelligence. A product positioned perfectly half-way between home and professional use, Calipso is suited to a variety of applications - expressing Artemide's traditional approach to deliver high performance lighting with a unique and emotional expressiveness.

FEATURES

- Product Code: **2014010APP**
- Colour: **White**
- Installation: **Suspension**
- Material: **Technopolymer, aluminium**
- Series: **Design Collection, Architectural Indoor**
- Environment: **Indoor**
- design by: **Neil Poulton**

DIMENSIONS

- Length: **1162 mm**
- Width: **79 mm**
- Height: **72 mm**
- Max Height from ceiling: **2000 mm**

SOURCES INCLUDED

- Category: **Led**
- Number: **1**
- Watt: **39W**
- Delivered lumen output: **4800lm**
- Color temperature (K): **3000K**
- CRI: **90**
- Efficacy: **123lm/W**
- Service Life: **50000-L70**

Accessories



Device for switching and controlling Artemide App products. Max N.3 inputs for external push buttons. Max 1m distance. Mains power supply required. To be installed inside flush mounting boxes or junction boxes. DV1080APP



End caps kit - Suspension (2pcs) 2022010A



Joint 90° kit - Suspension (dx/sx) - It allows to mechanically connect two modules at 90° 2023010A



Intermediate linear joint - Suspension - It allows to mechanically connect two modules in-line 2021010A



Power supply kit suspension - Terminal and angular (1 steel suspension cable + 1 alimentation cable) - It allows feeding at the series of modules end or at a Joint 90° 2020010A



Connection cable - Suspension - It allows to use "Power supply kit - terminal and angular" as an intermediate power supply between two in-line modules 2024010A



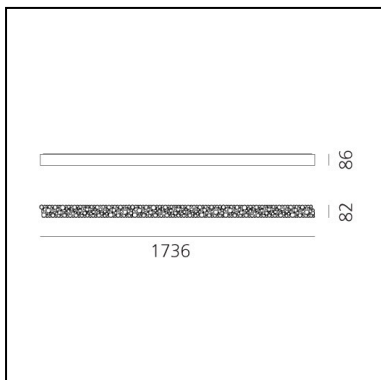
Suspension Kit - Length 1.5 meters 2266010A

Calipso Linear System 180 Ceiling

Neil Poulton



IP20    Dimmerable: 



LUMINAIRE

- Watt: **63W**
- Delivered lumen output: **4477lm**
- CCT: **3000K**
- Efficiency: **58%**
- Efficacy: **71.07lm/W**
- CRI: **90**
- Dimmable Typology: **Push/DALI**

Notes

APP driver can not be controlled by a DALI dimming/Push system and viceversa.
In any APP configurations there must be only one App module (master) while the others must be DALI.

DESCRIPTION

The unique honeycomb grill of Calipso was generated by feeding a photo of the moon into an image-based algorithm found on a seemingly extinct computer. The resulting fractal shape, an impure geometry that displays the irregular beauty of nature, is built from an organic honeycomb of different diameter tubes, seemingly arranged in a random geometry. This honeycomb characterizes the lamp both aesthetically and optically - not only is it visually pleasing, but it also provides an even and comfortable light emission. The result is a highly emotional lighting object that joins together optical and aesthetic intelligence. A product positioned perfectly half-way between home and professional use, Calipso is suited to a variety of applications - expressing Artemide's traditional approach to deliver high performance lighting with a unique and emotional expressiveness.

FEATURES

- Product Code: **2012010A**
- Colour: **White**
- Installation: **Ceiling**
- Material: **Technopolymer, aluminium**
- Series: **Design Collection, Architectural Indoor**
- Environment: **Indoor**
- design by: **Neil Poulton**

DIMENSIONS

- Length: **1736 mm**
- Width: **79 mm**
- Height: **72 mm**

SOURCES INCLUDED

- Category: **Led**
- Number: **1**
- Watt: **58,3W**
- Delivered lumen output: **7200lm**
- Color temperature (K): **3000K**
- CRI: **90**
- Efficacy: **123lm/W**
- Service Life: **50000-L70**

Accessories



Intermediate linear joint - Ceiling - It allows to mechanically connect two modules in-line
2025010A



End cap kit - Ceiling (2 pcs) 2026010A



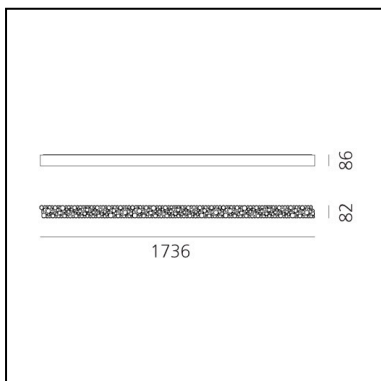
Joint 90° kit - Ceiling (dx+sx) - It allows to mechanically connect two modules at 90°
2027010A

Calipso Linear System 180 Ceiling - APP Compatible

Neil Poulton



IP20    Dimmerable: 



LUMINAIRE

- Watt: **63W**
- Delivered lumen output: **4477lm**
- CCT: **3000K**
- Efficiency: **58%**
- Efficacy: **71.07lm/W**
- CRI: **90**
- Dimmable Typology: **Push & APP**

Notes

APP driver can not be controlled by a DALI dimming/Push system and viceversa.

In any APP configurations there must be only one App module (master) while the others must be DALI.

DESCRIPTION

The unique honeycomb grill of Calipso was generated by feeding a photo of the moon into an image-based algorithm found on a seemingly extinct computer. The resulting fractal shape, an impure geometry that displays the irregular beauty of nature, is built from an organic honeycomb of different diameter tubes, seemingly arranged in a random geometry. This honeycomb characterizes the lamp both aesthetically and optically - not only is it visually pleasing, but it also provides an even and comfortable light emission. The result is a highly emotional lighting object that joins together optical and aesthetic intelligence. A product positioned perfectly half-way between home and professional use, Calipso is suited to a variety of applications - expressing Artemide's traditional approach to deliver high performance lighting with a unique and emotional expressiveness.

FEATURES

- Product Code: **2012010APP**
- Colour: **White**
- Installation: **Ceiling**
- Material: **Technopolymer, aluminium**
- Series: **Design Collection, Architectural Indoor**
- Environment: **Indoor**
- design by: **Neil Poulton**

DIMENSIONS

- Length: **1736 mm**
- Width: **79 mm**
- Height: **72 mm**

SOURCES INCLUDED

- Category: **Led**
- Number: **1**
- Watt: **58,3W**
- Delivered lumen output: **7200lm**
- Color temperature (K): **3000K**
- CRI: **90**
- Efficacy: **123lm/W**
- Service Life: **50000-L70**

Accessories



Intermediate linear joint - Ceiling - It allows to mechanically connect two modules in-line
2025010A



Device for switching and controlling Artemide App products. Max N.3 inputs for external push buttons. Max 1m distance. Mains power supply required. To be installed inside flush mounting boxes or junction boxes. DV1080APP



End cap kit - Ceiling (2 pcs) 2026010A



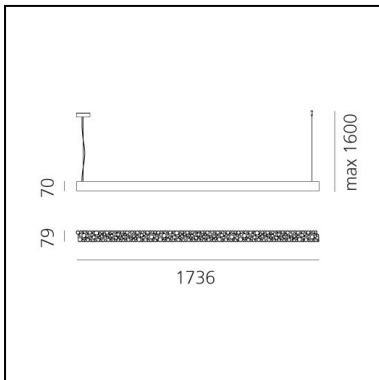
Joint 90° kit - Ceiling (dx+sx) - It allows to mechanically connect two modules at 90° 2027010A

Calipso Linear System 180 Suspension

Neil Poulton



IP20    Dimmerable: 



LUMINAIRE

- Watt: **63W**
- Delivered lumen output: **4477lm**
- CCT: **3000K**
- Efficiency: **58%**
- Efficacy: **71.07lm/W**
- CRI: **90**
- Dimmable Typology: **Push/DALI**

Notes

APP driver can not be controlled by a DALI dimming/Push system and viceversa.
In any APP configurations there must be only one App module (master) while the others must be DALI.

DESCRIPTION

The unique honeycomb grill of Calipso was generated by feeding a photo of the moon into an image-based algorithm found on a seemingly extinct computer. The resulting fractal shape, an impure geometry that displays the irregular beauty of nature, is built from an organic honeycomb of different diameter tubes, seemingly arranged in a random geometry. This honeycomb characterizes the lamp both aesthetically and optically - not only is it visually pleasing, but it also provides an even and comfortable light emission. The result is a highly emotional lighting object that joins together optical and aesthetic intelligence. A product positioned perfectly half-way between home and professional use, Calipso is suited to a variety of applications - expressing Artemide's traditional approach to deliver high performance lighting with a unique and emotional expressiveness.

FEATURES

- Product Code: **2015010A**
- Colour: **White**
- Installation: **Suspension**
- Material: **Technopolymer, aluminium**
- Series: **Design Collection, Architectural Indoor**
- Environment: **Indoor**
- design by: **Neil Poulton**

DIMENSIONS

- Length: **1736 mm**
- Width: **79 mm**
- Height: **72 mm**
- Max Height from ceiling: **2000 mm**

SOURCES INCLUDED

- Category: **Led**
- Number: **1**
- Watt: **58,3W**
- Delivered lumen output: **7200lm**
- Color temperature (K): **3000K**
- CRI: **90**
- Efficacy: **123lm/W**
- Service Life: **50000-L70**

Accessories



End caps kit - Suspension (2pcs) 2022010A



Joint 90° kit - Suspension (dx/sx) - It allows to mechanically connect two modules at 90° 2023010A



Intermediate linear joint - Suspension - It allows to mechanically connect two modules in-line 2021010A



Power supply kit suspension - Terminal and angular (1 steel suspension cable + 1 alimentation cable) - It allows feeding at the series of modules end or at a joint 90° 2020010A



Connection cable - Suspension - It allows to use "Power supply kit - terminal and angular" as an intermediate power supply between two in-line modules 2024010A



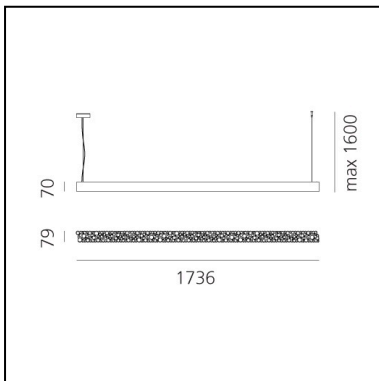
Suspension Kit - Length 1.5 meters 2266010A

Calipso Linear System 180 Suspension - APP Compatible

Neil Poulton



IP20    Dimmerable: 



LUMINAIRE

- Watt: **63W**
- Delivered lumen output: **4477lm**
- CCT: **3000K**
- Efficiency: **58%**
- Efficacy: **71.07lm/W**
- CRI: **90**
- Dimmable Typology: **Push & APP**

Notes

APP driver can not be controlled by a DALI dimming/Push system and viceversa.

In any APP configurations there must be only one App module (master) while the others must be DALI.

DESCRIPTION

The unique honeycomb grill of Calipso was generated by feeding a photo of the moon into an image-based algorithm found on a seemingly extinct computer. The resulting fractal shape, an impure geometry that displays the irregular beauty of nature, is built from an organic honeycomb of different diameter tubes, seemingly arranged in a random geometry. This honeycomb characterizes the lamp both aesthetically and optically - not only is it visually pleasing, but it also provides an even and comfortable light emission. The result is a highly emotional lighting object that joins together optical and aesthetic intelligence. A product positioned perfectly half-way between home and professional use, Calipso is suited to a variety of applications - expressing Artemide's traditional approach to deliver high performance lighting with a unique and emotional expressiveness.

FEATURES

- Product Code: **2015010APP**
- Colour: **White**
- Installation: **Suspension**
- Material: **Technopolymer, aluminium**
- Series: **Design Collection, Architectural Indoor**
- Environment: **Indoor**
- design by: **Neil Poulton**

DIMENSIONS

- Length: **1736 mm**
- Width: **79 mm**
- Height: **72 mm**
- Max Height from ceiling: **2000 mm**

SOURCES INCLUDED

- Category: **Led**
- Number: **1**
- Watt: **58,3W**
- Delivered lumen output: **7200lm**
- Color temperature (K): **3000K**
- CRI: **90**
- Efficacy: **123lm/W**
- Service Life: **50000-L70**

Accessories



Device for switching and controlling Artemide App products. Max N.3 inputs for external push buttons. Max 1m distance. Mains power supply required. To be installed inside flush mounting boxes or junction boxes. DV1080APP



End caps kit - Suspension (2pcs) 2022010A



Joint 90° kit - Suspension (dx/sx) - It allows to mechanically connect two modules at 90° 2023010A



Intermediate linear joint - Suspension - It allows to mechanically connect two modules in-line 2021010A



Power supply kit suspension - Terminal and angular (1 steel suspension cable + 1 alimentation cable) - It allows feeding at the series of modules end or at a Joint 90° 2020010A



Connection cable - Suspension - It allows to use "Power supply kit - terminal and angular" as an intermediate power supply between two in-line modules 2024010A



Suspension Kit - Length 1.5 meters 2266010A