

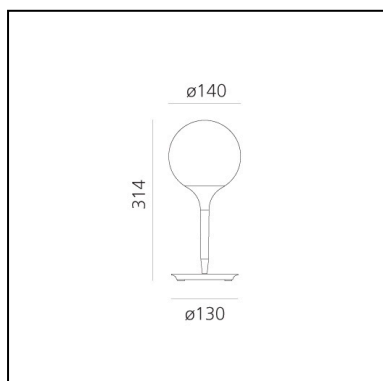
Castore Table 14

Michele De Lucchi

Huub Ubbens



IP20    



LUMINAIRE *

- Watt: **5W**
- Voltage: **220V-240V**
- Delivered lumen output: **402lm**
- Efficiency: **86%**
- Efficacy: **80.46lm/W**

← **CR 80** data may vary depending on the source installed. Light measurements are provided in relative form and technical lighting calculations may be updated according to the effective source used.

DESCRIPTION

The spherical diffuser design is enhanced by a removable-fitting and tapering luminous stem, that makes the transition from the strong diffuser light to the blind lamp structure area gentle. Base in zamak, stem in thermoplastic resin, blown glass diffuser.

FEATURES

- Product Code: **1044110A**
- Colour: **White**
- Installation: **Table**
- Material: **Zamak, polycarbonate, blown glass**
- Series: **Design Collection**
- Environment: **Indoor**
- Area contract: **Hospitality, Retail, Residential**
- Emission: **Diffused**
- design by: **Michele De Lucchi, Huub Ubbens**

DIMENSIONS

- Height: **314 mm**
- Diameter: **140 mm**
- Base Diameter: **122 mm**
- Glow Wire Test: **850°**

SOURCES NOT INCLUDED

- Category: **LED RETROFIT**
- Number: **1**
- Watt: **6W**
- Socket: **E14**

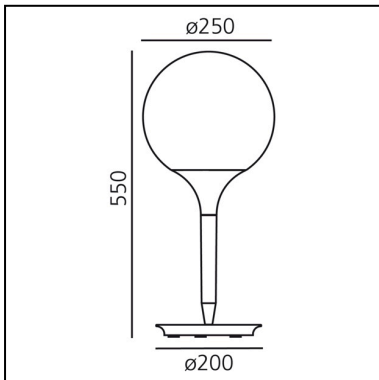
Castore table 25

Michele De Lucchi

Huub Ubbens



IP20    



LUMINAIRE *

- Watt: **12W**
- Voltage: **220V-240V**
- Delivered lumen output: **1227lm**
- Efficiency: **81%**
- Efficacy: **102.25lm/W**
- CRI: **80**

* Photometric data may vary depending on the source installed. Light measurements are provided in relative form and technical lighting calculations may be updated according to the effective source used.

Notes

Touch dimmer button on the lamp base for the storage of the latest light intensity set-up or the use of a local or remote control (controlled socket). Available in four sizes.

DESCRIPTION

The spherical diffuser design is enhanced by a removable-fitting and tapering luminous stem, that makes the transition from the strong diffuser light to the blind lamp structure area gentle. Base in zamak, stem in thermoplastic resin, blown glass diffuser.

FEATURES

- Product Code: **1050010A**
- Colour: **White**
- Installation: **Table**
- Material: **Zamak, polycarbonate, blown glass**
- Series: **Design Collection**
- Environment: **Indoor**
- Area contract: **Hospitality, Retail, Residential**
- Emission: **Diffused**
- design by: **Michele De Lucchi, Huub Ubbens**

DIMENSIONS

- Height: **550 mm**
- Diameter: **250 mm**
- Base Diameter: **200 mm**
- Impact Resistance: **N/D**
- Glow Wire Test: **750°**

SOURCES NOT INCLUDED

- Category: **LED RETROFIT**
- Number: **1**
- Watt: **12W**
- Socket: **E27**

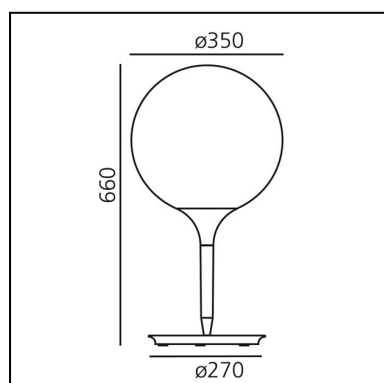
Castore table 35

Michele De Lucchi

Huub Ubbens



IP20    



LUMINAIRE *

- Watt: **21W**
- Voltage: **220V-240V**
- Delivered lumen output: **2077lm**
- Efficiency: **85%**
- Efficacy: **98.91lm/W**
- CRI: **80**

* Photometric data may vary depending on the source installed. Light measurements are provided in relative form and technical lighting calculations may be updated according to the effective source used.

Notes

Touch dimmer button on the lamp base for the storage of the latest light intensity set-up or the use of a local or remote control (controlled socket). Available in four sizes.

DESCRIPTION

The spherical diffuser design is enhanced by a removable-fitting and tapering luminous stem, that makes the transition from the strong diffuser light to the blind lamp structure area gentle. Base in zamac, stem in thermoplastic resin, blown glass diffuser.

FEATURES

- Product Code: **1049010A**
- Colour: **White**
- Installation: **Table**
- Material: **Zamak, polycarbonate, blown glass**
- Series: **Design Collection**
- Environment: **Indoor**
- Area contract: **Hospitality, Retail, Residential**
- Emission: **Diffused**
- design by: **Michele De Lucchi, Huub Ubbens**

DIMENSIONS

- Height: **660 mm**
- Diameter: **350 mm**
- Base Diameter: **270 mm**
- Impact Resistance: **N/D**
- Glow Wire Test: **750°**

SOURCES NOT INCLUDED

- Category: **LED RETROFIT**
- Number: **1**
- Watt: **21W**
- Socket: **E27**