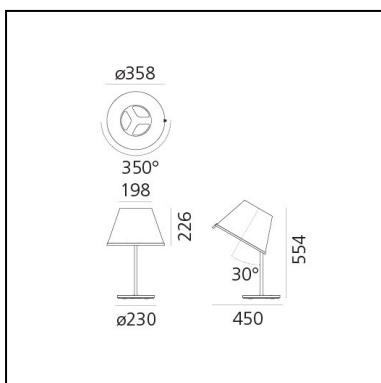


Choose Table - Parchment/Chrome

Matteo Thun & Partners



IP20   EAC  



LUMINAIRE *

- Watt: **57W**
- Voltage: **220V-240V**
- Delivered lumen output: **1291lm**

* Photometric data may vary depending on the source installed.
Light measurements are provided in relative form and technical lighting calculations may be updated according to the effective source used.

Notes

The diffuser tilts 30° and rotates 350° on its axis.

DESCRIPTION

The diffuser, which characterises this lamp family with its materials and texture, can be tilted by 30° and rotated on its own axis to direct the light for reading.

FEATURES

- Product Code: **1128120A**
- Colour: **Parchment/Chrome**
- Installation: **Table**
- Material: **Metal, zamac, polycarbonate, parchment paper**
- Series: **Design Collection**
- Environment: **Indoor**
- Area contract: **Hospitality**
- Emission: **Direct Spot**
- design by: **Matteo Thun & Partners**

DIMENSIONS

- Height: **554 mm**
- Diameter: **358 mm**
- Base Diameter: **230 mm**
- Max Extension Length: **450 mm**
- Inclination: **30**
- Rotation: **350°**
- Impact Resistance: **N/D**
- Glow Wire Test: **750°**

SOURCES NOT INCLUDED

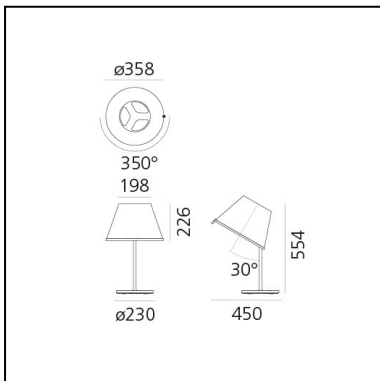
- Category: **LED RETROFIT**
- Number: **1**
- Watt: **12W**
- Socket: **E27**

Choose Table - Parchment/Gray anthracite

Matteo Thun & Partners



IP20   EAC  



LUMINAIRE *

- Watt: **12W**
- Voltage: **220V-240V**
- Delivered lumen output: **1291lm**
- Efficiency: **85%**
- Efficacy: **107.61lm/W**
- CRI: **80**

* Photometric data may vary depending on the source installed. Light measurements are provided in relative form and technical lighting calculations may be updated according to the effective source used.

Notes

The diffuser tilts 30° and rotates 350° on its axis.

DESCRIPTION

The diffuser, which characterises this lamp family with its materials and texture, can be tilted by 30° and rotated on its own axis to direct the light for reading.

FEATURES

- Product Code: **1128020A**
- Colour: **Parchment/Gray anthracite**
- Installation: **Table**
- Material: **Metal, zamac, polycarbonate, parchment paper**
- Series: **Design Collection**
- Environment: **Indoor**
- Area contract: **Hospitality**
- Emission: **Direct Spot**
- design by: **Matteo Thun & Partners**

DIMENSIONS

- Height: **554 mm**
- Diameter: **358 mm**
- Base Diameter: **230 mm**
- Max Extension Length: **450 mm**
- Inclination: **30**
- Rotation: **350°**
- Impact Resistance: **N/D**
- Glow Wire Test: **750°**

SOURCES NOT INCLUDED

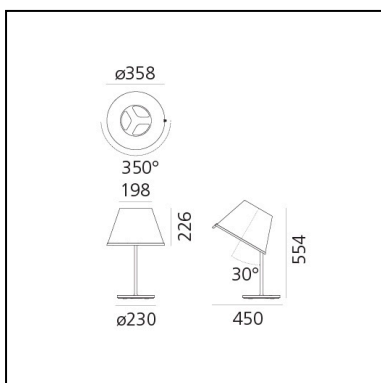
- Category: **LED RETROFIT**
- Number: **1**
- Watt: **12W**
- Socket: **E27**

Choose Table - White/Chrome

Matteo Thun & Partners



IP20   EAC  



LUMINAIRE *

- Watt: **57W**
- Voltage: **220V-240V**
- Delivered lumen output: **1291lm**

* Photometric data may vary depending on the source installed.
Light measurements are provided in relative form and technical lighting calculations may be updated according to the effective source used.

Notes

The diffuser tilts 30° and rotates 350° on its axis.

DESCRIPTION

The diffuser, which characterises this lamp family with its materials and texture, can be tilted by 30° and rotated on its own axis to direct the light for reading.

FEATURES

- Product Code: **1128110A**
- Colour: **White/Chrome**
- Installation: **Table**
- Material: **Steel, zamac, polycarbonate, parchment paper**
- Series: **Design Collection**
- Environment: **Indoor**
- Area contract: **Hospitality**
- Emission: **Direct Spot**
- design by: **Matteo Thun & Partners**

DIMENSIONS

- Height: **554 mm**
- Diameter: **358 mm**
- Base Diameter: **230 mm**
- Max Extension Length: **450 mm**
- Inclination: **30**
- Rotation: **350°**
- Impact Resistance: **N/D**
- Glow Wire Test: **750°**

SOURCES NOT INCLUDED

- Category: **LED RETROFIT**
- Number: **1**
- Watt: **12W**
- Socket: **E27**