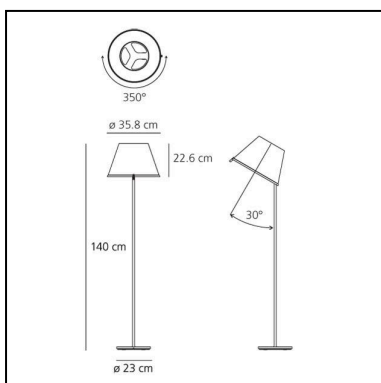


# Choose Floor - Parchment/Chrome

Matteo Thun & Partners



IP20   EAC  



## LUMINAIRE \*

– Watt: **26W**

– Voltage: **220V-240V**

– Delivered lumen output: **2583lm**

\* Light measurements are provided in relative form and technical lighting calculations may be updated according to the effective source used.

## DESCRIPTION

The diffuser, which characterises this lamp family with its materials and texture, can be tilted by 30° and rotated on its own axis to direct the light for reading.

## FEATURES

- Product Code: **1136120A**
- Colour: **Parchment/Chrome**
- Installation: **Floor**
- Material: **Polycarbonate, parchment paper, steel, zamak**
- Series: **Design Collection**
- Environment: **Indoor**
- Area contract: **Hospitality**
- Emission: **Direct Spot**
- design by: **Matteo Thun & Partners**

## DIMENSIONS

- Height: **1400 mm**
- Diameter: **358 mm**
- Base Diameter: **230 mm**
- Glow Wire Test: **750°**

## SOURCES NOT INCLUDED

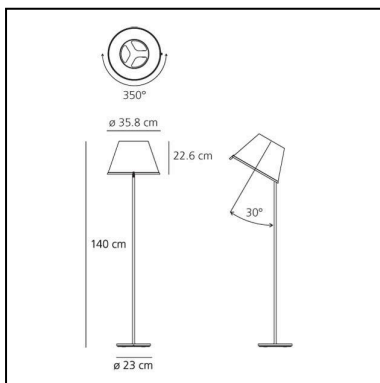
- Category: **LED RETROFIT**
- Number: **2**
- Watt: **12W**
- Socket: **E27**

# Choose Floor - Parchment/Gray anthracite

Matteo Thun & Partners



IP20   EAC  



## LUMINAIRE \*

- Watt: **24W**
- Voltage: **220V-240V**
- Delivered lumen output: **2583lm**
- Efficiency: **85%**
- Efficacy: **107.61lm/W**

← **CR 80** data may vary depending on the source installed. Light measurements are provided in relative form and technical lighting calculations may be updated according to the effective source used.

## DESCRIPTION

The diffuser, which characterises this lamp family with its materials and texture, can be tilted by 30° and rotated on its own axis to direct the light for reading.

## FEATURES

- Product Code: **1136020A**
- Colour: **Parchment/Gray anthracite**
- Installation: **Floor**
- Material: **Polycarbonate, parchment paper, steel, zamak**
- Series: **Design Collection**
- Environment: **Indoor**
- Area contract: **Hospitality**
- Emission: **Direct Spot**
- design by: **Matteo Thun & Partners**

## DIMENSIONS

- Height: **1400 mm**
- Diameter: **358 mm**
- Base Diameter: **230 mm**
- Glow Wire Test: **750°**

## SOURCES NOT INCLUDED

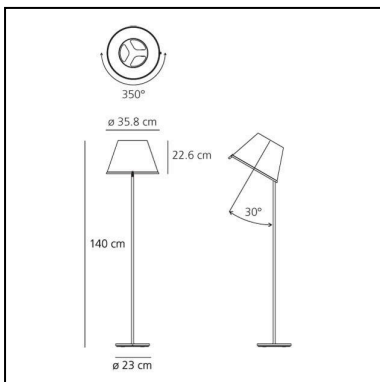
- Category: **LED RETROFIT**
- Number: **2**
- Watt: **12W**
- Socket: **E27**

# Choose Floor - White/Chrome

Matteo Thun & Partners



IP20   EAC  



## LUMINAIRE \*

- Watt: **26W**
- Voltage: **220V-240V**

– Delivered lumen output: **2583lm**  
\* Light measurements are provided in relative form and technical lighting calculations may be updated according to the effective source used.

## DESCRIPTION

The diffuser, which characterises this lamp family with its materials and texture, can be tilted by 30° and rotated on its own axis to direct the light for reading.

## FEATURES

- Product Code: **1136110A**
- Colour: **White/Chrome**
- Installation: **Floor**
- Material: **Polycarbonate, parchment paper, steel, zamak**
- Series: **Design Collection**
- Environment: **Indoor**
- Area contract: **Hospitality**
- Emission: **Direct Spot**
- design by: **Matteo Thun & Partners**

## DIMENSIONS

- Height: **1400 mm**
- Diameter: **358 mm**
- Base Diameter: **230 mm**
- Glow Wire Test: **750°**

## SOURCES NOT INCLUDED

- Category: **LED RETROFIT**
- Number: **2**
- Watt: **12W**
- Socket: **E27**