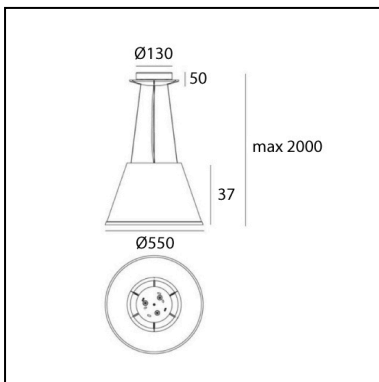


Choose Mega Suspension - Parchment

Matteo Thun & Partners



IP20    Dimmerable:  +  -



LUMINAIRE *

- Watt: **36W**
- Voltage: **220V-240V**
- Delivered lumen output: **3766lm**
- Efficiency: **83%**
- Efficacy: **104.62lm/W**

← **CRi 80** data may vary depending on the source installed.
Light measurements are provided in relative form and technical lighting calculations may be updated according to the effective source used.

DESCRIPTION

The diffuser, which characterises this lamp family with its materials and texture, can be tilted by 30° and rotated on its own axis to direct the light for reading in Choose Floor, while it remains fixed in the Mega version.

FEATURES

- Product Code: **1124020A**
- Colour: **Transparent + Natural**
- Installation: **Suspension**
- Material: **Parchment Paper, polycarbonate**
- Series: **Design Collection**
- Environment: **Indoor**
- Area contract: **Hospitality**
- Emission: **Diffused And Direct**
- design by: **Matteo Thun & Partners**

DIMENSIONS

- Height: **370 mm**
- Diameter: **550 mm**
- Base Diameter: **130 mm**
- Max Height from ceiling: **2000 mm**
- Glow Wire Test: **750°**

SOURCES NOT INCLUDED

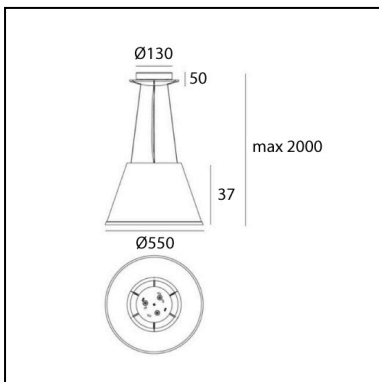
- Category: **LED RETROFIT**
- Number: **3**
- Watt: **12W**
- Socket: **E27**

Choose Mega Suspension - White

Matteo Thun & Partners



IP20    Dimmerable:  +  -



LUMINAIRE *

– Watt: **39W**

– Voltage: **220V-240V**

– Delivered lumen output: **3766lm**

* Delivered lumen output is provided once installed. Light measurements are provided in relative form and technical lighting calculations may be updated according to the effective source used.

DESCRIPTION

The diffuser, which characterises this lamp family with its materials and texture, can be tilted by 30° and rotated on its own axis to direct the light for reading in Choose Floor, while it remains fixed in the Mega version.

FEATURES

- Product Code: **1124110A**
- Colour: **White**
- Installation: **Suspension**
- Material: **Parchment Paper, polycarbonate**
- Series: **Design Collection**
- Environment: **Indoor**
- Area contract: **Hospitality**
- Emission: **Diffused And Direct**
- design by: **Matteo Thun & Partners**

DIMENSIONS

- Height: **370 mm**
- Diameter: **550 mm**
- Base Diameter: **130 mm**
- Max Height from ceiling: **2000 mm**
- Glow Wire Test: **750°**

SOURCES NOT INCLUDED

- Category: **LED RETROFIT**
- Number: **3**
- Watt: **12W**
- Socket: **E27**