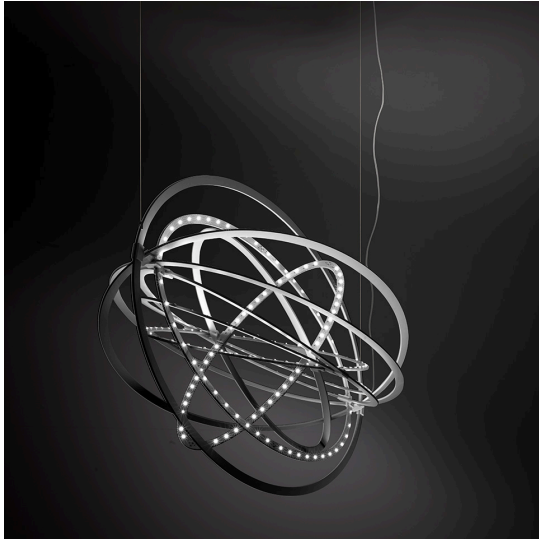


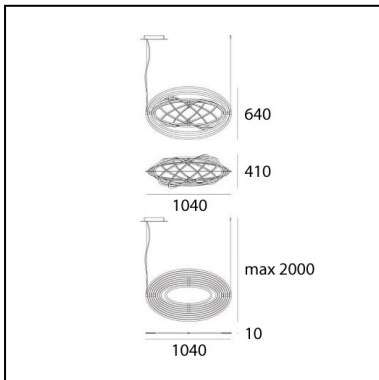
Copernico Suspension - Aluminum

Carlotta de Bevilacqua

Paolo Dell'Elce



IP20    Dimmerable:   



LUMINAIRE

- Watt: **30W**
- Delivered lumen output: **3686lm**
- CCT: **3000K**
- Efficiency: **100%**
- Efficacy: **122.88lm/W**
- CRI: **90**
- Dimmable Typology: **Push**

DESCRIPTION

Suspension lamp, coordinated with the wall lamp model. Nine concentric mobile ellipses obtained from a single aluminium plate support a circuit of 384 white Leds; the ellipses rotate independently on two different axes, enabling the light emission to be directed and numerous spatial configurations to be obtained at the same time. When the device is closed it is completely flat.

FEATURES

- Product Code: **1623010A**
- Colour: **Aluminum**
- Installation: **Suspension**
- Material: **Aluminum**
- Series: **Design Collection**
- Environment: **Indoor**
- Emission: **Diffused,direct,indirect**
- design by: **Carlotta de Bevilacqua, Paolo Dell'Elce**

DIMENSIONS

- Length: **1040 mm**
- Width: **410 mm**
- Max Height from ceiling: **2000 mm**
- Rotation: **360°**

SOURCES INCLUDED

- Category: **Led**
- Number: **1**
- Watt: **27,5W**
- Delivered lumen output: **3686lm**
- Color temperature (K): **3000K**

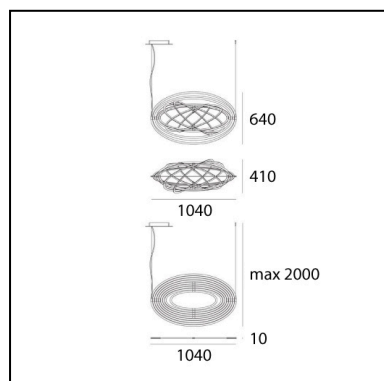
Copernico Suspension - Black

Carlotta de Bevilacqua

Paolo Dell'Elce



IP20       Dimmerable:  



LUMINAIRE

- Watt: **30W**
- Delivered lumen output: **3686lm**
- CCT: **3000K**
- Efficiency: **100%**
- Efficacy: **122.88lm/W**
- CRI: **90**
- Dimmable Typology: **Push**

DESCRIPTION

Suspension lamp, coordinated with the wall lamp model. Nine concentric mobile ellipses obtained from a single aluminium plate support a circuit of 384 white Leds; the ellipses rotate independently on two different axes, enabling the light emission to be directed and numerous spatial configurations to be obtained at the same time. When the device is closed it is completely flat.

FEATURES

- Product Code: **1623020A**
- Colour: **Metal black**
- Installation: **Suspension**
- Material: **Aluminum**
- Series: **Design Collection**
- Environment: **Indoor**
- Emission: **Diffused,direct,indirect**
- design by: **Carlotta de Bevilacqua, Paolo Dell'Elce**

DIMENSIONS

- Length: **1040 mm**
- Width: **410 mm**
- Max Height from ceiling: **2000 mm**
- Rotation: **360°**

SOURCES INCLUDED

- Category: **Led**
- Number: **1**
- Watt: **27,5W**
- Delivered lumen output: **3686lm**
- Color temperature (K): **3000K**