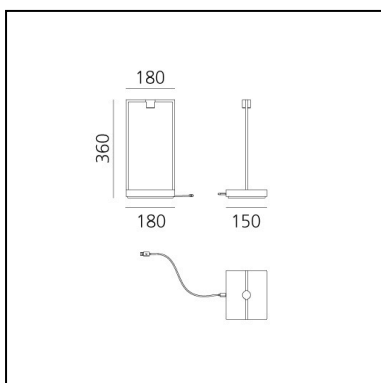


Curiosity 36 - Black/Brown

Davide Oppizzi



IP20  



LUMINAIRE

- Watt: **1,7W**
- Delivered lumen output: **163lm**
- CCT: **3000K**
- Efficiency: **75%**
- Efficacy: **162.83lm/W**
- CRI: **90**
- Dimmer Typology: **Push button Dimmer**

Notes

Battery life:
Dimmer step 1: 8h
Dimmer step 2: 11h
Dimmer step 3: 26h
3 hrs fast charge

DESCRIPTION

Curiosity is a portable lamp whose shape reveals its natural vocation for showcasing, but at the same time for relations. It highlights the spaces where people are gathered or the objects accommodated within its frame.

Curiosity is a frame for displaying objects with the chosen item arranged on the base and illuminated by the small spotlight at the top, available with two different light beam angles. In the Curiosity 36 Sphere version, the addition of a glass globe creates a soft, diffused light.

FEATURES

- Product Code: **0174010A**
- Colour: **Black/Brown**
- Installation: **Table**
- Material: **Aluminum and technopolymer base and projector, brass frame**
- Series: **Design Collection**
- design by: **Davide Oppizzi**

DIMENSIONS

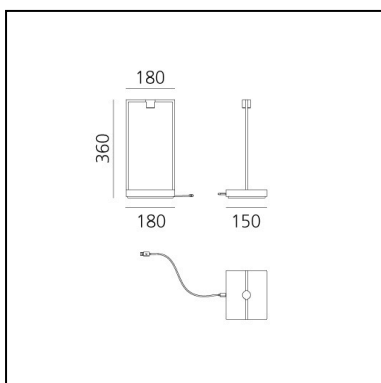
- Length: **180 mm**
- Width: **150 mm**
- Height: **360 mm**

Curiosity 36 - Focus - Black/Brown

Davide Oppizzi



IP20  



LUMINAIRE

- Watt: **1,7W**
- Delivered lumen output: **148lm**
- CCT: **3000K**
- Efficiency: **68%**
- Efficacy: **147.59lm/W**
- CRI: **90**
- Dimmer Typology: **Push button Dimmer**

Notes

Battery life:
Dimmer step 1: 8h
Dimmer step 2: 11h
Dimmer step 3: 26h
3 hrs fast charge

DESCRIPTION

Curiosity is a portable lamp whose shape reveals its natural vocation for showcasing, but at the same time for relations. It highlights the spaces where people are gathered or the objects accommodated within its frame.

Curiosity is a frame for displaying objects with the chosen item arranged on the base and illuminated by the small spotlight at the top, available with two different light beam angles. In the Curiosity 36 Sphere version, the addition of a glass globe creates a soft, diffused light.

FEATURES

- Product Code: **0174110A**
- Colour: **Black/Brown**
- Installation: **Table**
- Material: **Aluminum and technopolymer base and projector, brass frame**
- Series: **Design Collection**
- design by: **Davide Oppizzi**

DIMENSIONS

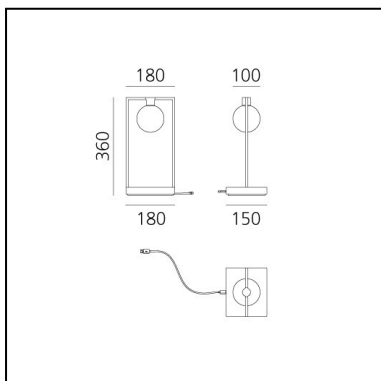
- Length: **180 mm**
- Width: **150 mm**
- Height: **360 mm**

Curiosity 36 - With Sphere - Black/Brown

Daide Oppizzi



IP20  



LUMINAIRE

- Watt: **1,7W**
- Delivered lumen output: **142lm**
- CCT: **3000K**
- Efficiency: **60%**
- Efficacy: **142.45lm/W**
- CRI: **90**
- Dimmer Typology: **Push button Dimmer**

Notes

Battery life:
Dimmer step 1: 8h
Dimmer step 2: 11h
Dimmer step 3: 26h
3 hrs fast charge

DESCRIPTION

Curiosity is a portable lamp whose shape reveals its natural vocation for showcasing, but at the same time for relations. It highlights the spaces where people are gathered or the objects accommodated within its frame.

Curiosity is a frame for displaying objects with the chosen item arranged on the base and illuminated by the small spotlight at the top, available with two different light beam angles. In the Curiosity 36 Sphere version, the addition of a glass globe creates a soft, diffused light.

FEATURES

- Product Code: **0175010A**
- Colour: **Black/Brown**
- Installation: **Table**
- Material: **Aluminum and technopolymer base and projector, brass frame**
- Series: **Design Collection**
- design by: **Daide Oppizzi**

DIMENSIONS

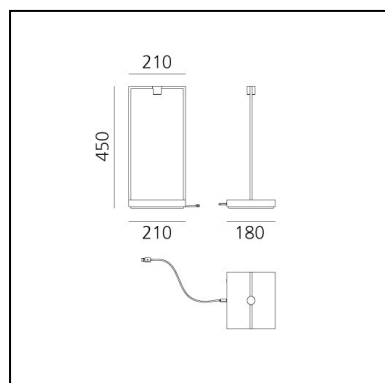
- Length: **180 mm**
- Width: **150 mm**
- Height: **360 mm**

Curiosity 45 - Black/Brown

Davide Oppizzi



IP20  



LUMINAIRE

- Watt: **2,5W**
- Delivered lumen output: **234lm**
- CCT: **3000K**
- Efficiency: **75%**
- Efficacy: **117.18lm/W**
- CRI: **90**
- Dimmer Typology: **Push button Dimmer**

Notes

Battery life:
Dimmer step 1: 8h
Dimmer step 2: 11h
Dimmer step 3: 26h
3 hrs fast charge

DESCRIPTION

Curiosity is a portable lamp whose shape reveals its natural vocation for showcasing, but at the same time for relations. It highlights the spaces where people are gathered or the objects accommodated within its frame.

Curiosity is a frame for displaying objects with the chosen item arranged on the base and illuminated by the small spotlight at the top, available with two different light beam angles. In the Curiosity 36 Sphere version, the addition of a glass globe creates a soft, diffused light.

FEATURES

- Product Code: **0176010A**
- Colour: **Black/Brown**
- Installation: **Table**
- Material: **Aluminum and technopolymer base and projector, brass frame**
- Series: **Design Collection**
- design by: **Davide Oppizzi**

DIMENSIONS

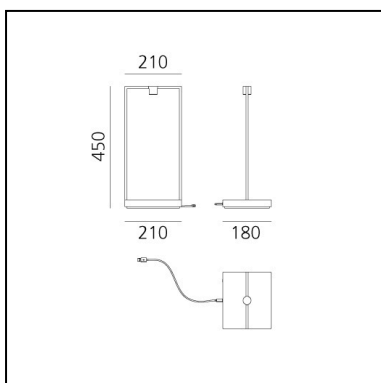
- Length: **210 mm**
- Width: **210 mm**
- Height: **450 mm**

Curiosity 45 - Focus - Black/Brown

Davide Oppizzi



IP20  



LUMINAIRE

- Watt: **2,5W**
- Delivered lumen output: **214lm**
- CCT: **3000K**
- Efficiency: **68%**
- Efficacy: **106.86lm/W**
- CRI: **90**
- Dimmer Typology: **Push button Dimmer**

Notes

Battery life:
Dimmer step 1: 8h
Dimmer step 2: 11h
Dimmer step 3: 26h
3 hrs fast charge

DESCRIPTION

Curiosity is a portable lamp whose shape reveals its natural vocation for showcasing, but at the same time for relations. It highlights the spaces where people are gathered or the objects accommodated within its frame.

Curiosity is a frame for displaying objects with the chosen item arranged on the base and illuminated by the small spotlight at the top, available with two different light beam angles. In the Curiosity 36 Sphere version, the addition of a glass globe creates a soft, diffused light.

FEATURES

- Product Code: **0176110A**
- Colour: **Black/Brown**
- Installation: **Table**
- Material: **Aluminum and technopolymer base and projector, brass frame**
- Series: **Design Collection**
- design by: **Davide Oppizzi**

DIMENSIONS

- Length: **210 mm**
- Width: **210 mm**
- Height: **450 mm**