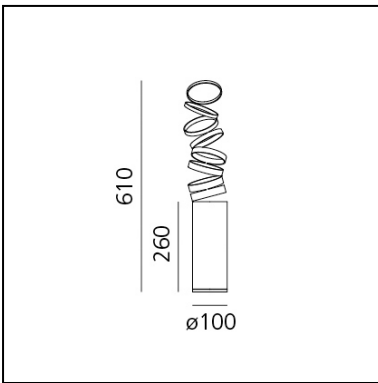


Decomposé Light Table - Fumé

Atelier Oi



LUMINAIRE *

- Watt: **8W**
- Delivered lumen output: **632lm**
- CCT: **2700K**
- Efficiency: **60%**
- Efficacy: **78.97lm/W**

* **CRi 80** data may vary depending on the source installed.
Light measurements are provided in relative form and technical lighting calculations may be updated according to the effective source used.

DESCRIPTION

Featuring a deconstructed base profile, the light projected through the balanced rings designs subtle shadows while defining a perfect quality of light in space.

FEATURES

- Product Code: **DOI4600C80**
- Colour: **Fumé**
- Installation: **Table**
- Material: **Aluminium**
- Series: **Design Collection**
- Environment: **Indoor**
- design by: **Atelier Oi**

DIMENSIONS

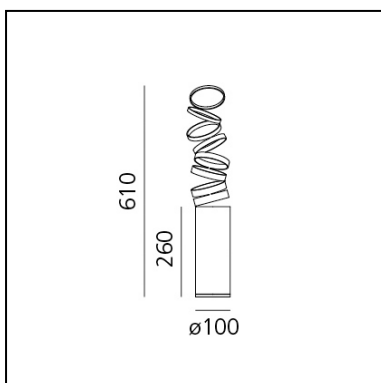
- Height: **260 mm**
- Base Diameter: **100 mm**
- Max Extension Height: **610 mm**

SOURCES NOT INCLUDED

- Category: **LED RETROFIT**
- Number: **1**
- Watt: **12W**
- Socket: **E27**

Decomposé Light Table - Gold

Atelier Oi



LUMINAIRE *

- Watt: **8W**
- Delivered lumen output: **632lm**
- CCT: **2700K**
- Efficiency: **60%**
- Efficacy: **78.97lm/W**

* **CRi 80** data may vary depending on the source installed.
Light measurements are provided in relative form and technical lighting calculations may be updated according to the effective source used.

DESCRIPTION

Featuring a deconstructed base profile, the light projected through the balanced rings designs subtle shadows while defining a perfect quality of light in space.

FEATURES

- Product Code: **DOI4600C02**
- Colour: **Gold**
- Installation: **Table**
- Material: **Aluminium**
- Series: **Design Collection**
- Environment: **Indoor**
- design by: **Atelier Oi**

DIMENSIONS

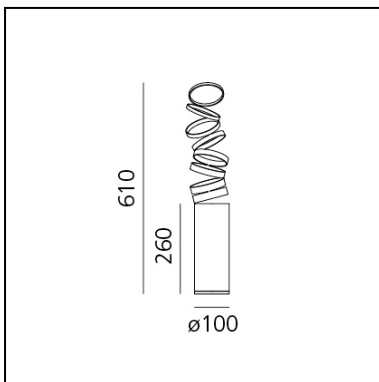
- Height: **260 mm**
- Base Diameter: **100 mm**
- Max Extension Height: **610 mm**

SOURCES NOT INCLUDED

- Category: **LED RETROFIT**
- Number: **1**
- Watt: **12W**
- Socket: **E27**

Decomposé Light Table - Orange

Atelier Oi



LUMINAIRE *

- Watt: **8W**
- Delivered lumen output: **632lm**
- CCT: **2700K**
- Efficiency: **60%**
- Efficacy: **78.97lm/W**

* **CR: 80** data may vary depending on the source installed.
Light measurements are provided in relative form and technical lighting calculations may be updated according to the effective source used.

DESCRIPTION

Featuring a deconstructed base profile, the light projected through the balanced rings designs subtle shadows while defining a perfect quality of light in space.

FEATURES

- Product Code: **DOI4600C03**
- Colour: **Orange**
- Installation: **Table**
- Material: **Aluminium**
- Series: **Design Collection**
- Environment: **Indoor**
- design by: **Atelier Oi**

DIMENSIONS

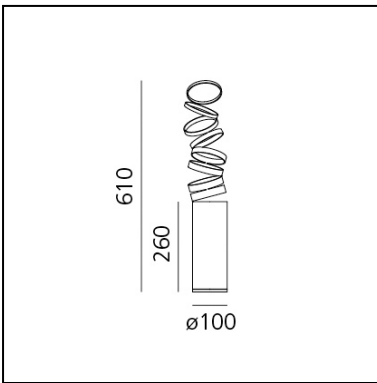
- Height: **260 mm**
- Base Diameter: **100 mm**
- Max Extension Height: **610 mm**

SOURCES NOT INCLUDED

- Category: **LED RETROFIT**
- Number: **1**
- Watt: **12W**
- Socket: **E27**

Decomposé Light Table - Red

Atelier Oi



LUMINAIRE *

- Watt: **8W**
- Delivered lumen output: **632lm**
- CCT: **2700K**
- Efficiency: **60%**
- Efficacy: **78.97lm/W**

* **CRi 80** data may vary depending on the source installed.
Light measurements are provided in relative form and technical lighting calculations may be updated according to the effective source used.

DESCRIPTION

Featuring a deconstructed base profile, the light projected through the balanced rings designs subtle shadows while defining a perfect quality of light in space.

FEATURES

- Product Code: **DOI4600C16**
- Colour: **Red**
- Installation: **Table**
- Material: **Aluminium**
- Series: **Design Collection**
- Environment: **Indoor**
- design by: **Atelier Oi**

DIMENSIONS

- Height: **260 mm**
- Base Diameter: **100 mm**
- Max Extension Height: **610 mm**

SOURCES NOT INCLUDED

- Category: **LED RETROFIT**
- Number: **1**
- Watt: **12W**
- Socket: **E27**