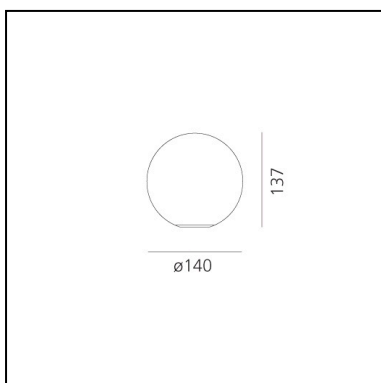


Dioscuri table 14

Michele De Lucchi



IP20   



LUMINAIRE *

- Watt: **5W**
- Voltage: **220-240V**
- Delivered lumen output: **353lm**
- Efficiency: **75%**
- Efficacy: **70.58lm/W**

← **CRi 80** data may vary depending on the source installed.
Light measurements are provided in relative form and technical lighting calculations may be updated according to the effective source used.

DESCRIPTION

The simple geometric shape of the spherical diffuser makes this an iconic product and ensures uniform diffusion of light through the acid-etched blown glass.

FEATURES

- Product Code: **1034110A**
- Colour: **White**
- Installation: **Table**
- Material: **Technopolymer lamp body, blown frosted glass diffuser with acid-etching treatment.**
- Series: **Design Collection**
- Environment: **Indoor**
- Area contract: **Residential**
- Emission: **Diffused**
- design by: **Michele De Lucchi**

DIMENSIONS

- Height: **137 mm**
- Diameter: **140 mm**

SOURCES NOT INCLUDED

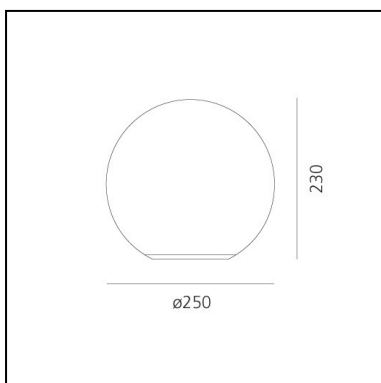
- Category: **LED RETROFIT**
- Number: **1**
- Watt: **6W**
- Socket: **E14**

Dioscuri table 25

Michele De Lucchi



IP20   **EAC**   



LUMINAIRE *

- Watt: **12W**
- Voltage: **220V-240V**
- Delivered lumen output: **1356lm**
- CCT: **2700K**
- Efficiency: **89%**
- Efficacy: **112.97lm/W**
- CRI: **80**

* Dimmer Typology: **Microswitch Dimmer**

Light measurements are provided in relative form and technical lighting calculations may be updated according to the effective source used.

DESCRIPTION

The simple geometric shape of the spherical diffuser makes this an iconic product and ensures uniform diffusion of light through the acid-etched blown glass.

FEATURES

- Product Code: **0146010A**
- Colour: **White**
- Installation: **Table**
- Material: **Technopolymer lamp body, blown frosted glass diffuser with acid-etching treatment.**
- Series: **Design Collection**
- Environment: **Indoor**
- Area contract: **Residential**
- Emission: **Diffused**
- design by: **Michele De Lucchi**

DIMENSIONS

- Height: **230 mm**
- Diameter: **250 mm**
- Glow Wire Test: **850°**

SOURCES NOT INCLUDED

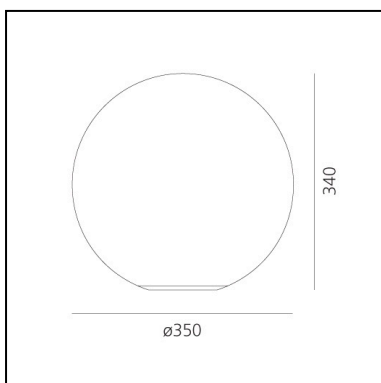
- Category: **LED RETROFIT**
- Number: **1**
- Watt: **12W**
- Socket: **E27**

Dioscuri table 35

Michele De Lucchi



IP20   EAC  



LUMINAIRE *

- Watt: **21W**
- Voltage: **220V-240V**
- Delivered lumen output: **2186lm**
- Efficiency: **89%**
- Efficacy: **104.07lm/W**
- CRI: **80**

– Dimmer Typology: **Microswitch Dimmer**

Light measurements are provided in relative form and technical lighting calculations may be updated according to the effective source used.

DESCRIPTION

The simple geometric shape of the spherical diffuser makes this an iconic product and ensures uniform diffusion of light through the acid-etched blown glass.

FEATURES

- Product Code: **0147010A**
- Colour: **White**
- Installation: **Table**
- Material: **Technopolymer lamp body, blown frosted glass diffuser with acid-etching treatment.**
- Series: **Design Collection**
- Environment: **Indoor**
- Area contract: **Residential**
- Emission: **Diffused**
- design by: **Michele De Lucchi**

DIMENSIONS

- Height: **340 mm**
- Diameter: **350 mm**
- Glow Wire Test: **850°**

SOURCES NOT INCLUDED

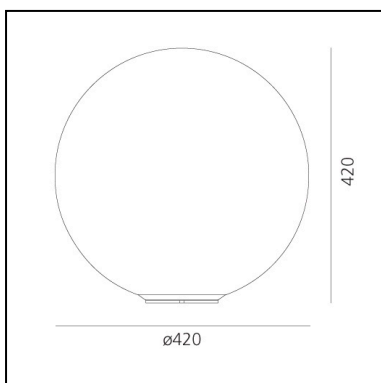
- Category: **LED RETROFIT**
- Number: **1**
- Watt: **12W**
- Socket: **E27**

Dioscuri table 42

Michele De Lucchi



IP20     



LUMINAIRE *

- Watt: **21W**
- Voltage: **220V-240V**
- Delivered lumen output: **2186lm**
- Efficiency: **89%**
- Efficacy: **104.07lm/W**
- CRI: **80**

– Dimmer Typology: **Microswitch Dimmer**

Light measurements are provided in relative form and technical lighting calculations may be updated according to the effective source used.

DESCRIPTION

The simple geometric shape of the spherical diffuser makes this an iconic product and ensures uniform diffusion of light through the acid-etched blown glass.

FEATURES

- Product Code: **0254010A**
- Colour: **White**
- Installation: **Table**
- Material: **Technopolymer lamp body, blown frosted glass diffuser with acid-etching treatment.**
- Series: **Design Collection**
- Environment: **Indoor**
- Area contract: **Residential**
- Emission: **Diffused**
- design by: **Michele De Lucchi**

DIMENSIONS

- Height: **420 mm**
- Diameter: **420 mm**
- Glow Wire Test: **850°**

SOURCES NOT INCLUDED

- Category: **LED RETROFIT**
- Number: **1**
- Watt: **12W**
- Socket: **E27**