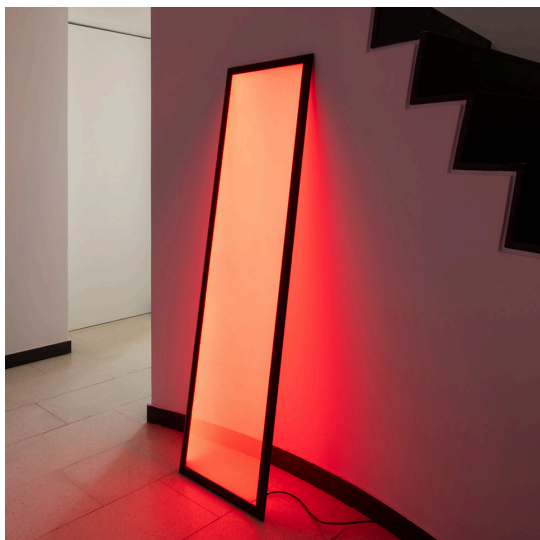

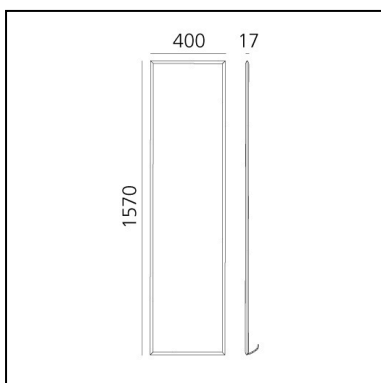


Discovery Floor - RGBW

Ernesto Gismondi



IP20 



LUMINAIRE

- Watt: **56W**
- Delivered lumen output: **RGB 1036lm White 1817lm**
- CCT: **White 3000K**
- Efficiency: **59%**
- Efficacy: **50.95lm/W**
- CRI: **80**

Accessories



Device for switching and controlling Artemide App products. Max N.3 inputs for external push buttons. Max 1m distance. Mains power supply required. To be installed inside flush mounting boxes or junction boxes. DV1080APP

DESCRIPTION

Discovery floor is an unobtrusive and seemingly completely absent element whose volume is only perceived when it is switched on. The innovative emitting surface enclosed by a black rim becomes the only element that constitutes this floor lamp, which is essential and theatrical thanks to the RGBW coloured or Tunable White light. It can adapt perfectly to any space, simply leaning freely against the wall or at an angle.

FEATURES

- Product Code: **2041030APP**
- Colour: **Black**
- Installation: **Floor**
- Material: **Technopolymer, aluminium**
- Series: **Design Collection**
- design by: **Ernesto Gismondi**

DIMENSIONS

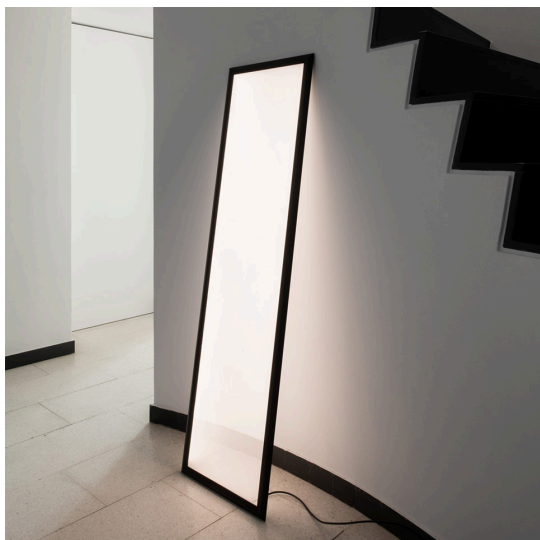
- Length: **400 mm**
- Width: **17 mm**
- Height: **1570 mm**

SOURCES INCLUDED

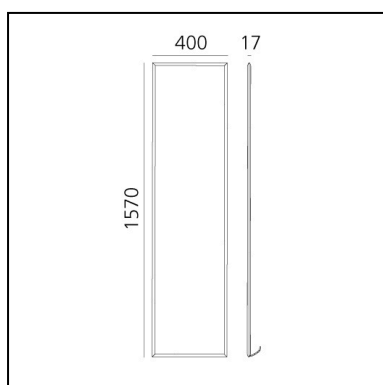
- Category: **Led RGBW**
- Number: **1**
- Color Tolerance: **5SDCM**
- Service Life: **Life L90 (6K) 50000h**

Discovery Floor - TW

Ernesto Gismondi



IP20   **TW**



LUMINAIRE

- Watt: **61W**
- Delivered lumen output: **W 3806lm - C 4054lm**
- CCT: **2700K - 6500K**
- Efficiency: **58%**
- Efficacy: **66.47lm/W**
- CRI: **80**

Accessories



Device for switching and controlling Artemide App products. Max N.3 inputs for external push buttons. Max 1m distance. Mains power supply required. To be installed inside flush mounting boxes or junction boxes. DV1080APP

DESCRIPTION

Discovery floor is an unobtrusive and seemingly completely absent element whose volume is only perceived when it is switched on. The innovative emitting surface enclosed by a black rim becomes the only element that constitutes this floor lamp, which is essential and theatrical thanks to the RGBW coloured or Tunable White light. It can adapt perfectly to any space, simply leaning freely against the wall or at an angle.

FEATURES

- Product Code: **2040030APP**
- Colour: **Black**
- Installation: **Floor**
- Material: **Technopolymer, aluminium**
- Series: **Design Collection**
- design by: **Ernesto Gismondi**

DIMENSIONS

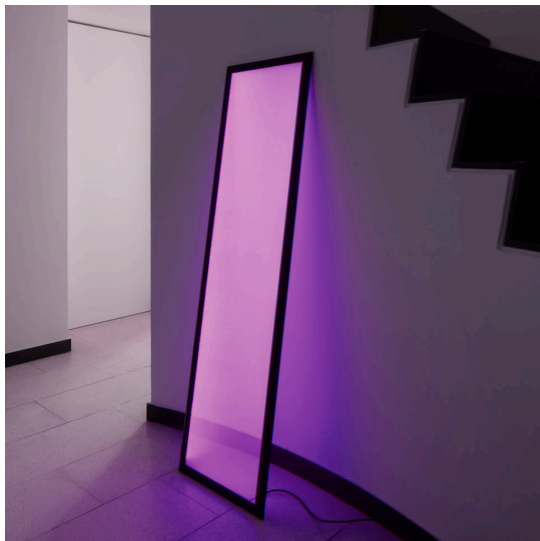
- Length: **400 mm**
- Width: **17 mm**
- Height: **1570 mm**

SOURCES INCLUDED

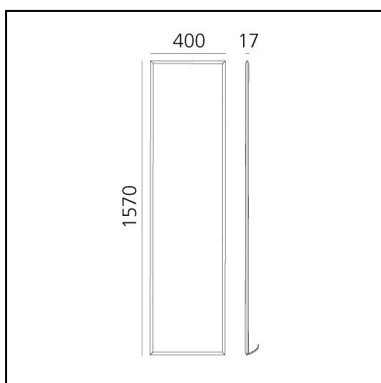
- Category: **Led TW**
- Number: **1**
- Watt: **55W**

Discovery Floor - White Violet Integralis

Ernesto Gismondi



⊕ Dimmerable: +●-



LUMINAIRE

DAY MODE

- Watt: **67W**
- Delivered lumen output: **2972lm**
- Radiant Flux: **1804mW**
- CCT: **2700K**
- CRI: **80**
- Dimmable Typology: **APP**

- Watt: **67W**
- Voltage: **220-240V**
- Delivered lumen output: **31lm**
- Radiant Flux: **5467mW**
- Dimmable Typology: **APP**

DESCRIPTION

Discovery floor is an unobtrusive and seemingly completely absent element whose volume is only perceived when it is switched on. The innovative emitting surface enclosed by a black rim becomes the only element that constitutes this floor lamp, which is essential and theatrical thanks to the RGBW coloured or Tunable White light. It can adapt perfectly to any space, simply leaning freely against the wall or at an angle.

FEATURES

- Product Code: **2040030IN1APP**
- Colour: **Black**
- Installation: **Floor**
- Material: **Technopolymer, aluminium**
- Series: **Design Collection**
- design by: **Ernesto Gismondi**

DIMENSIONS

- Length: **400 mm**
- Height: **1570 mm**

Accessories

Device for switching and controlling Artemide App products. Max N.3 inputs for external push buttons. Max 1m distance. Mains power supply required. To be installed inside flush mounting boxes or junction boxes. DV1080APP