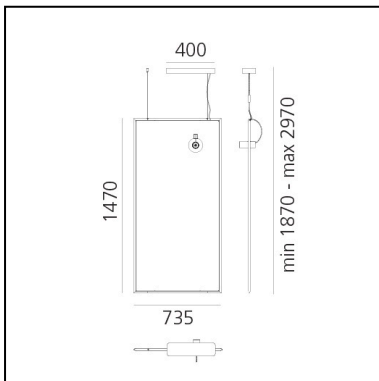


Discovery Space Spot Rectangular - TW - Black

Ernesto Gismondi



IP20   **CE TW** Dimmerable: 



LUMINAIRE

Discovery

- Watt: **57W**
- Voltage: **220-240V**
- Delivered lumen output: **Warm 3557lm Cold 3789lm**
- CCT: **2700K - 6500K**
- Efficiency: **57%**
- Efficacy: **62.40lm/W**
- CRI: **80**
- Dimmable Typology: **APP,Dali**

DESCRIPTION

The patented Discovery optical technology also applies to the square and rectangular versions. These geometric shapes allow the model to have even more freedom to interact with the space, thanks to the possibility of hanging the vertical or suspended element at any angle, in all cases producing a comfortable light with UGR <19. Discovery succeeds in encapsulating the values, knowledge, innovation and expertise of Artemide. Unparalleled optoelectronic expertise coupled with a strong culture of design and extensive technological know-how produces highly versatile solutions which have the surprising ability to translate innovation into the emotion of perception. The square and rectangular versions become Discovery spot with the inclusion of the Vector spot accent light, designed by Carlotta de Bevilacqua. This fits into a circular hole created in the emitting surface, thus allowing its orientation.

FEATURES

- Product Code: **2031030APP**
- Colour: **Black**
- Installation: **Suspension**
- Material: **Technopolymer, aluminium**
- Series: **Design Collection**
- design by: **Ernesto Gismondi**

DIMENSIONS

- Length: **735 mm**
- Height: **1470 mm**
- Max Height from ceiling: **2970 mm**

SOURCES INCLUDED

- Category: **Led TW**
- Number: **1**
- Color Tolerance: **MacAdam 3SDCM**
- Service Life: **L90 (6K) 50000h**

Vector Spot 22

- Watt: **23W**
- Voltage: **220-240V**
- Delivered lumen output: **1721lm**
- CCT: **3000K**
- CRI: **90**
- Dimmable Typology: **APP,Dali**

Vector Spot 16

- Watt: **23W**
- Voltage: **220-240V**
- Delivered lumen output: **1703lm**
- CCT: **3000K**
- CRI: **90**
- Dimmable Typology: **APP,Dali**

Notes

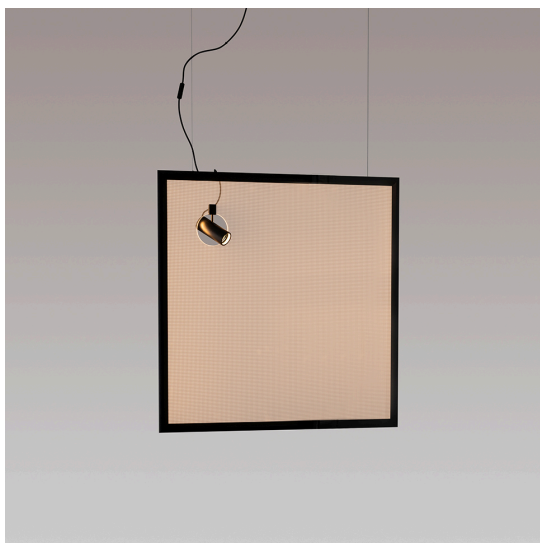
The APP driver can not be controlled by DALI dimming system and viceversa.

Accessories

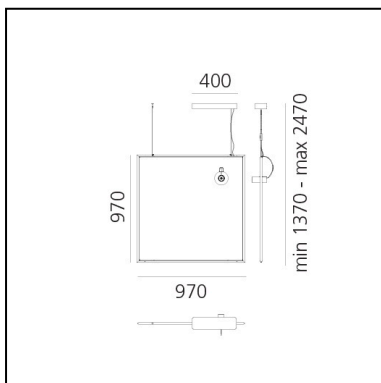
Device for switching and controlling Artemide App products. Max N.3 inputs for external push buttons. Max 1m distance. Mains power supply required. To be installed inside flush mounting boxes or junction boxes. DV1080APP

Discovery Space Spot Square - TW - Black

Ernesto Gismondi



IP20   **CE TW** Dimmerable: 



LUMINAIRE

Discovery

- Watt: **42W**
- Voltage: **220-240V**
- Delivered lumen output: **Warm 2581lm Cold 2749lm**
- CCT: **2700K - 6500K**
- Efficiency: **57%**
- Efficacy: **61.44lm/W**
- CRI: **80**
- Dimmable Typology: **APP,Dali**

DESCRIPTION

The patented Discovery optical technology also applies to the square and rectangular versions. These geometric shapes allow the model to have even more freedom to interact with the space, thanks to the possibility of hanging the vertical or suspended element at any angle, in all cases producing a comfortable light with UGR <19. Discovery succeeds in encapsulating the values, knowledge, innovation and expertise of Artemide. Unparalleled optoelectronic expertise coupled with a strong culture of design and extensive technological know-how produces highly versatile solutions which have the surprising ability to translate innovation into the emotion of perception. The square and rectangular versions become Discovery spot with the inclusion of the Vector spot accent light, designed by Carlotta de Bevilacqua. This fits into a circular hole created in the emitting surface, thus allowing its orientation.

FEATURES

- Product Code: **2030030APP**
- Colour: **Black**
- Installation: **Suspension**
- Material: **Technopolymer, aluminium**
- Series: **Design Collection**
- design by: **Ernesto Gismondi**

DIMENSIONS

- Length: **970 mm**
- Height: **970 mm**
- Max Height from ceiling: **2470 mm**

SOURCES INCLUDED

- Category: **Led TW**
- Number: **1**
- Color Tolerance: **MacAdam 3SDCM**
- Service Life: **L90 (6K) 50000h**

Vector Spot 22

- Watt: **23W**
- Voltage: **220-240V**
- Delivered lumen output: **1721lm**
- CCT: **3000K**
- CRI: **90**
- Dimmable Typology: **APP,Dali**

Vector Spot 16

- Watt: **23W**
- Voltage: **220-240V**
- Delivered lumen output: **1703lm**
- CCT: **3000K**
- CRI: **90**
- Dimmable Typology: **APP,Dali**

Notes

The APP driver can not be controlled by DALI dimming system and viceversa.

Accessories

Device for switching and controlling Artemide App products. Max N.3 inputs for external push buttons. Max 1m distance. Mains power supply required. To be installed inside flush mounting boxes or junction boxes. DV1080APP