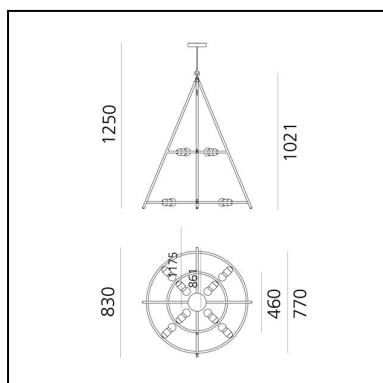


El Porís - 80

Herzog & de Meuron



LUMINAIRE *

– Watt: **120W**

* Photometric data may vary depending on the source installed. Light measurements are provided in relative form and technical lighting calculations may be updated according to the effective source used.

Notes

DESCRIPTION

El Porís is a modern, light, rigorous chandelier, yet one that is also truly spectacular and sculptural. It is a large elementary, geometric structure that features light bulbs housed in traditional E27 sockets, leaving complete freedom of choice as to what sources to use. Two or three calendared steel tubes of decreasing diameter are united by four vertical mounts. The simplicity is immediately apparent, revealing design and production know-how that can solve the complexity in elements and details that disappear into the main structure.

FEATURES

- Product Code: **1086030A**
- Colour: **Black**
- Installation: **Suspension**
- Series: **Design Collection**
- design by: **Herzog & de Meuron**

DIMENSIONS

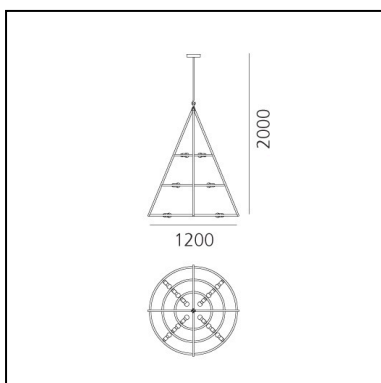
- Height: **1250 mm**
- Diameter: **830 mm**

SOURCES NOT INCLUDED

- Category: **LED RETROFIT**
- Number: **8**
- Socket: **E27**

El Porís

Herzog & de Meuron



LUMINAIRE *

Watt: **180W** may vary depending on the source installed.
Light measurements are provided in relative form and technical lighting calculations may be updated according to the effective source used.

DESCRIPTION

El Porís is a modern, light, rigorous chandelier, yet one that is also truly spectacular and sculptural. It is a large elementary, geometric structure that features light bulbs housed in traditional E27 sockets, leaving complete freedom of choice as to what sources to use. Two or three calendared steel tubes of decreasing diameter are united by four vertical mounts. The simplicity is immediately apparent, revealing design and production know-how that can solve the complexity in elements and details that disappear into the main structure.

FEATURES

- Product Code: **1085030A**
- Colour: **Black**
- Installation: **Suspension**
- Series: **Design Collection**
- design by: **Herzog & de Meuron**

DIMENSIONS

- Height: **2000 mm**
- Diameter: **1200 mm**

SOURCES NOT INCLUDED

- Category: **LED RETROFIT**
- Number: **12**
- Socket: **E27**