
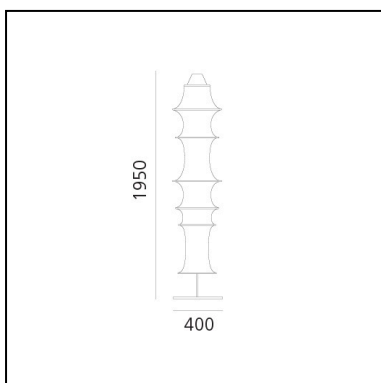


Falkland Floor - Body Lamp

Bruno Munari



IP20 



LUMINAIRE *

– Watt: **8W**

* Photometric data may vary depending on the source installed. Light measurements are provided in relative form and technical lighting calculations may be updated according to the effective source used.

Notes

Code related only to electrical part and aluminum gray rod, to be completed with elastic fabric accessory.

DESCRIPTION

Falkland floor is a lamp with a spontaneous shape that is achieved by the contrasting forces of its components: the tension of a stretched tube of finely woven fabric and the weight of seven different sized metal rings. A single light bulb and aluminium reflector illuminate the curves of the fabric.

FEATURES

- Product Code: **DS2040BAR00**
- Colour: **White/Alluminum gray**
- Installation: **Floor**
- Material: **Filanca, steel**
- Series: **Design Collection, Danese**
- Environment: **Indoor**
- design by: **Bruno Munari**

DIMENSIONS

- Height: **1950 mm**
- Base Diameter: **400 mm**

SOURCES NOT INCLUDED

- Category: **LED RETROFIT**
- Number: **1**
- Watt: **12W**
- Socket: **E27**

Accessories



Fireproof fabric 165 + metal hoops inox
DS2040CRCI



Base lamp aluminium grey DS2040BB00



Fabric 165 + metal hoops inox DS2040CRC