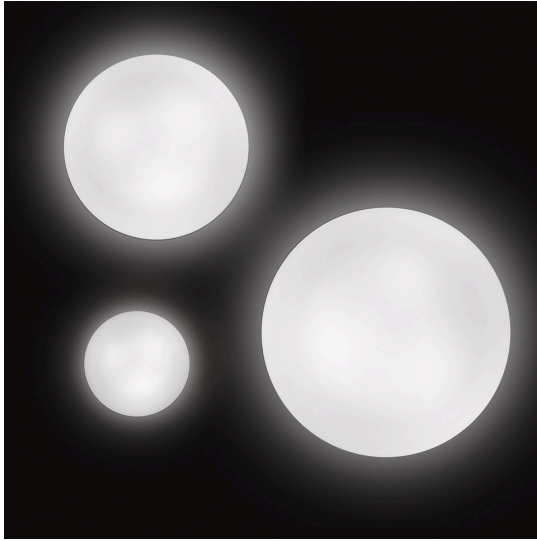
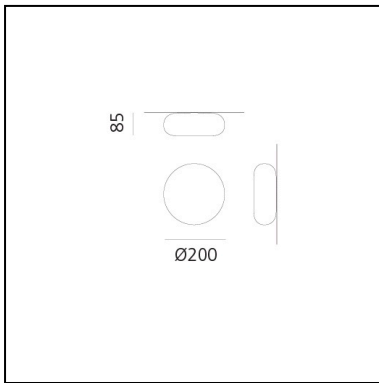


Itka 20 Wall/Ceiling

Naoto Fukasawa



IP65  



LUMINAIRE *

- Watt: **5,5W**
- Delivered lumen output: **351lm**
- Efficiency: **70%**
- Efficacy: **70.17lm/W**

* **CRi 80** data may vary depending on the source installed.
Light measurements are provided in relative form and technical lighting calculations may be updated according to the effective source used.

DESCRIPTION

Itka wall/ceiling is a flat fixture that evenly distributes the light that it emanates leaving no areas of shadow on its surface. The diffuser is made of hand blown opaline frosted glass and can be installed either on the ceiling or on the wall.

FEATURES

- Product Code: **DX0060M10**
- Colour: **White**
- Installation: **Wall, Ceiling**
- Material: **Blown glass, steel**
- Series: **Design Collection, Danese**
- Environment: **Indoor**
- design by: **Naoto Fukasawa**

DIMENSIONS

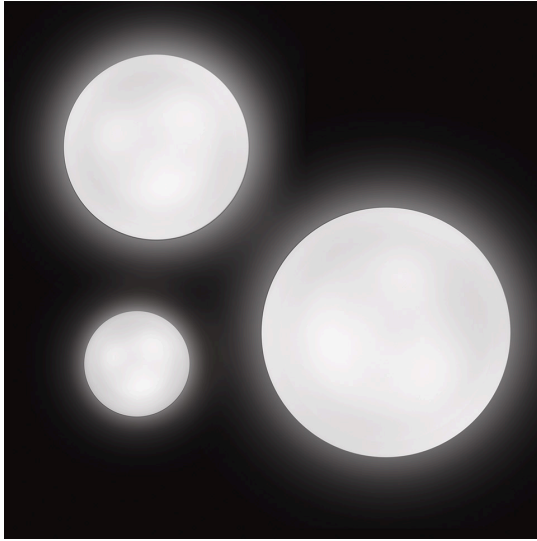
- Width: **85 mm**
- Diameter: **200 mm**

SOURCES NOT INCLUDED

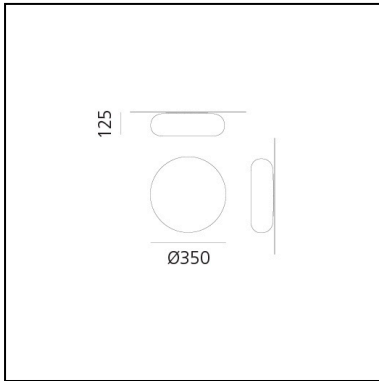
- Category: **LED RETROFIT**
- Number: **1**
- Socket: **Gx53**

Itka 35 Wall/Ceiling

Naoto Fukasawa



IP65  



LUMINAIRE *

- Watt: **15W**
- Delivered lumen output: **1047lm**
- Efficiency: **74%**
- Efficacy: **69.81lm/W**

* **CRi 80** data may vary depending on the source installed.
Light measurements are provided in relative form and technical lighting calculations may be updated according to the effective source used.

DESCRIPTION

Itka wall/ceiling is a flat fixture that evenly distributes the light that it emanates leaving no areas of shadow on its surface. The diffuser is made of hand blown opaline frosted glass and can be installed either on the ceiling or on the wall.

FEATURES

- Product Code: **DX0060I10**
- Colour: **White**
- Installation: **Wall, Ceiling**
- Material: **Blown glass, steel**
- Series: **Design Collection, Danese**
- Environment: **Indoor**
- design by: **Naoto Fukasawa**

DIMENSIONS

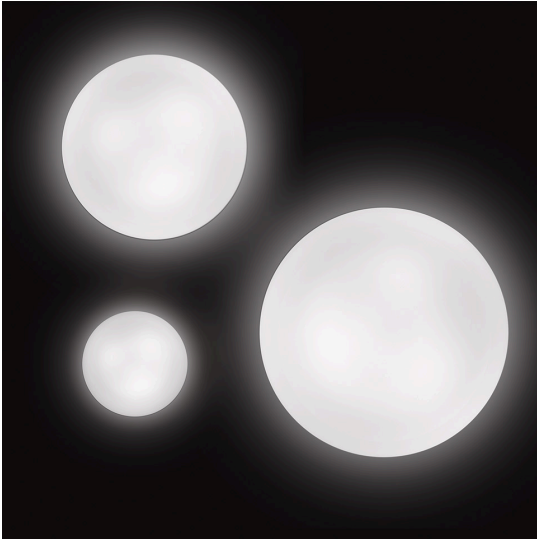
- Width: **125 mm**
- Diameter: **350 mm**

SOURCES NOT INCLUDED

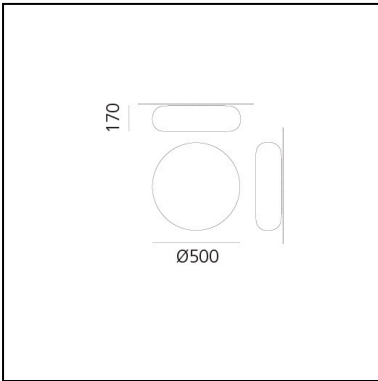
- Category: **LED RETROFIT**
- Number: **3**
- Watt: **6W**
- Socket: **E14**

Itka 50 Wall/Ceiling

Naoto Fukasawa



IP65  



LUMINAIRE *

- Watt: **36W**
- Delivered lumen output: **3000lm**
- CCT: **2700K**
- Efficiency: **66%**
- Efficacy: **83.34lm/W**

← **CRi 80** data may vary depending on the source installed.
Light measurements are provided in relative form and technical lighting calculations may be updated according to the effective source used.

DESCRIPTION

Itka wall/ceiling is a flat fixture that evenly distributes the light that it emanates leaving no areas of shadow on its surface. The diffuser is made of hand blown opaline frosted glass and can be installed either on the ceiling or on the wall.

FEATURES

- Product Code: **DX0060E10**
- Colour: **White**
- Installation: **Wall, Ceiling**
- Material: **Blown glass, steel**
- Series: **Design Collection, Danese**
- Environment: **Indoor**
- design by: **Naoto Fukasawa**

DIMENSIONS

- Width: **170 mm**
- Diameter: **500 mm**

SOURCES NOT INCLUDED

- Category: **LED RETROFIT**
- Number: **3**
- Watt: **12W**
- Socket: **E27**