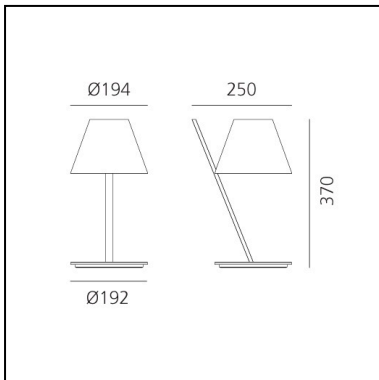


La Petite - Black

Quaglio Simonelli



IP20   



LUMINAIRE *

- Watt: **5W**
- Delivered lumen output: **307lm**
- Efficiency: **65%**
- Efficacy: **61.38lm/W**

* For **CR180** data may vary depending on the source installed. Light measurements are provided in relative form and technical lighting calculations may be updated according to the effective source used.

DESCRIPTION

An archetypal lampshade balancing on a slanted rod creates a balanced and stylish geometric composition that is mesmerising despite its simplicity. The lampshade is a light plastic volume closed by two diffusers that produce a delightful soft direct and indirect light. The joint supports the lampshade on a minimalist resting point, connecting it to the aluminum rod.

FEATURES

- Product Code: **1751030A**
- Colour: **Black**
- Installation: **Table**
- Material: **polycarbonate, aluminium, methacrylate**
- Series: **Design Collection**
- Environment: **Indoor**
- design by: **Quaglio Simonelli**

DIMENSIONS

- Length: **250 mm**
- Width: **194 mm**
- Height: **370 mm**
- Base Diameter: **192 mm**
- Glow Wire Test: **650°**

SOURCES NOT INCLUDED

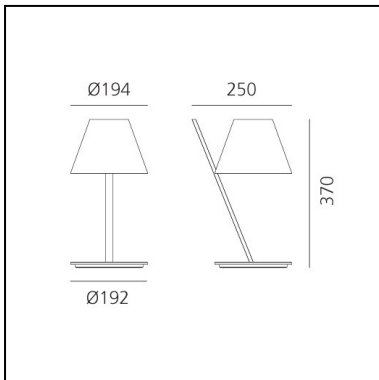
- Category: **LED RETROFIT**
- Number: **1**
- Watt: **6W**
- Socket: **E14**

La Petite - White

Quaglio Simonelli



IP20   



LUMINAIRE *

- Watt: **5W**
- Delivered lumen output: **307lm**
- Efficiency: **65%**
- Efficacy: **61.38lm/W**

* **CR180** data may vary depending on the source installed.
Light measurements are provided in relative form and technical lighting calculations may be updated according to the effective source used.

DESCRIPTION

An archetypal lampshade balancing on a slanted rod creates a balanced and stylish geometric composition that is mesmerising despite its simplicity. The lampshade is a light plastic volume closed by two diffusers that produce a delightful soft direct and indirect light. The joint supports the lampshade on a minimalist resting point, connecting it to the aluminum rod.

FEATURES

- Product Code: **1751020A**
- Colour: **White**
- Installation: **Table**
- Material: **polycarbonate, aluminium, methacrylate**
- Series: **Design Collection**
- Environment: **Indoor**
- design by: **Quaglio Simonelli**

DIMENSIONS

- Length: **250 mm**
- Width: **194 mm**
- Height: **370 mm**
- Base Diameter: **192 mm**
- Impact Resistance: **650**

SOURCES NOT INCLUDED

- Category: **LED RETROFIT**
- Number: **1**
- Watt: **6W**
- Socket: **E14**