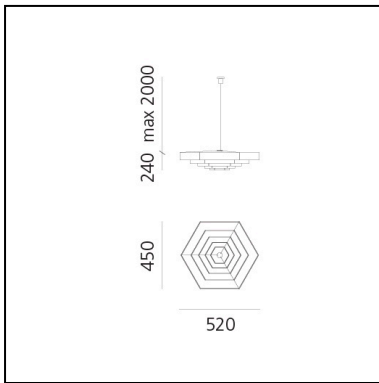


Lampada Esagonale 52 - Aluminum

Bruno Munari



IP20  Dimmerable: 



LUMINAIRE *

Watt: **8W**
* Power and light data may vary depending on the source installed. Light measurements are provided in relative form and technical lighting calculations may be updated according to the effective source used.

DESCRIPTION

Lampada esagonale is a pendant light made of concentric hexagonal rings of reflective sheet metal. The light is reflected in all directions by the metal sheets and evenly illuminates the space.

FEATURES

- Product Code: **DM2004A00**
- Colour: **Aluminum**
- Installation: **Suspension**
- Material: **Aluminum**
- Series: **Design Collection, Danese**
- Environment: **Indoor**
- design by: **Bruno Munari**

DIMENSIONS

- Length: **520 mm**
- Height: **240 mm**
- Depth: **450 mm**
- Max Height from ceiling: **2000 mm**

SOURCES NOT INCLUDED

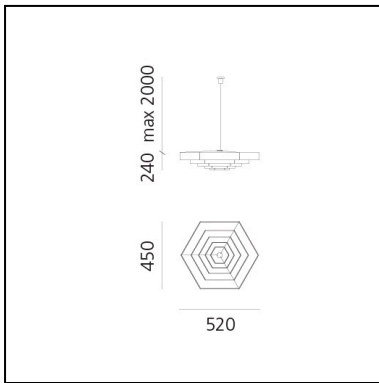
- Category: **LED RETROFIT**
- Number: **1**
- Watt: **12W**
- Socket: **E27**

Lampada Esagonale 52 - White

Bruno Munari



IP20  Dimmerable: 



LUMINAIRE *

Watt: **8W**
* Power and light data may vary depending on the source installed. Light measurements are provided in relative form and technical lighting calculations may be updated according to the effective source used.

DESCRIPTION

Lampada esagonale is a pendant light made of concentric hexagonal rings of reflective sheet metal. The light is reflected in all directions by the metal sheets and evenly illuminates the space.

FEATURES

- Product Code: **DM2004A10**
- Colour: **White**
- Installation: **Suspension**
- Material: **Aluminum**
- Series: **Design Collection, Danese**
- Environment: **Indoor**
- design by: **Bruno Munari**

DIMENSIONS

- Width: **520 mm**
- Height: **240 mm**
- Depth: **450 mm**
- Max Height from ceiling: **2000 mm**

SOURCES NOT INCLUDED

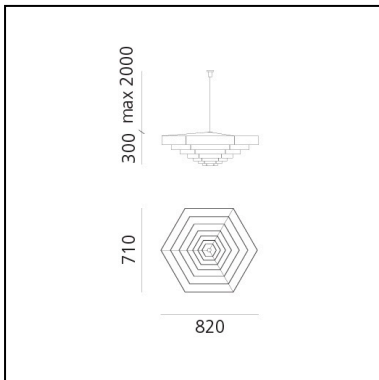
- Category: **LED RETROFIT**
- Number: **1**
- Watt: **12W**
- Socket: **E27**

Lampada Esagonale 82 - Aluminum

Bruno Munari



IP20  Dimmerable: 



LUMINAIRE *

Watt: **8W**
* Wattage data may vary depending on the source installed. Light measurements are provided in relative form and technical lighting calculations may be updated according to the effective source used.

DESCRIPTION

Lampada esagonale is a pendant light made of concentric hexagonal rings of reflective sheet metal. The light is reflected in all directions by the metal sheets and evenly illuminates the space.

FEATURES

- Product Code: **DM2004B00**
- Colour: **Aluminum**
- Installation: **Suspension**
- Material: **Aluminum**
- Series: **Design Collection, Danese**
- Environment: **Indoor**
- design by: **Bruno Munari**

DIMENSIONS

- Width: **820 mm**
- Height: **300 mm**
- Depth: **710 mm**
- Max Height from ceiling: **2000 mm**

SOURCES NOT INCLUDED

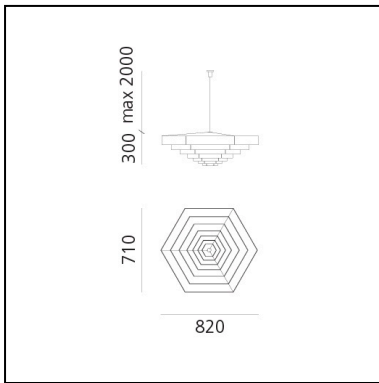
- Category: **LED RETROFIT**
- Number: **1**
- Watt: **12W**
- Socket: **E27**

Lampada Esagonale 82 - White

Bruno Munari



IP20  Dimmerable: 



LUMINAIRE *

– Watt: **8W**
– *All technical data may vary depending on the source installed. Light measurements are provided in relative form and technical lighting calculations may be updated according to the effective source used.

DESCRIPTION

Lampada esagonale is a pendant light made of concentric hexagonal rings of reflective sheet metal. The light is reflected in all directions by the metal sheets and evenly illuminates the space.

FEATURES

- Product Code: **DM2004B10**
- Colour: **White**
- Installation: **Suspension**
- Material: **Aluminum**
- Series: **Design Collection, Danese**
- Environment: **Indoor**
- design by: **Bruno Munari**

DIMENSIONS

- Length: **820 mm**
- Height: **300 mm**
- Depth: **710 mm**
- Max Height from ceiling: **2000 mm**

SOURCES NOT INCLUDED

- Category: **LED RETROFIT**
- Number: **1**
- Watt: **12W**
- Socket: **E27**