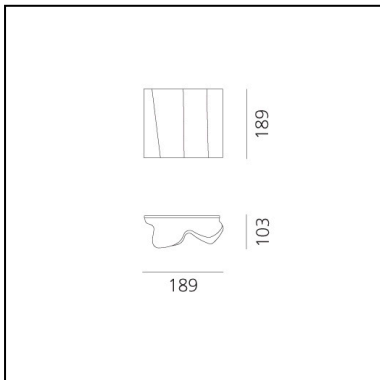


Logico Micro Wall - Silk Diffuser

Michele De Lucchi
Gerhard Reichert



IP20      Dimmerable: 



LUMINAIRE *

- Watt: **5W**
- Voltage: **220V-240V**
- Delivered lumen output: **279lm**
- Efficiency: **59%**
- Efficacy: **55.70lm/W**

CR 80 data may vary depending on the source installed.
Light measurements are provided in relative form and technical lighting calculations may be updated according to the effective source used.

DESCRIPTION

The hand-made blown glass diffuser defines a soft, irregular volume, shaped by curves that generate a relationship of positives and negatives which make the geometric shape modular for linear compositions.

FEATURES

- Product Code: **0846030A**
- Colour: **Silk**
- Installation: **Wall**
- Material: **Blown glass, steel**
- Series: **Design Collection**
- Environment: **Indoor**
- Area contract: **Hospitality, null, Office, Residential**
- Emission: **Diffused And Direct**
- design by: **Michele De Lucchi, Gerhard Reichert**

DIMENSIONS

- Length: **189 mm**
- Width: **103 mm**
- Height: **189 mm**

SOURCES NOT INCLUDED

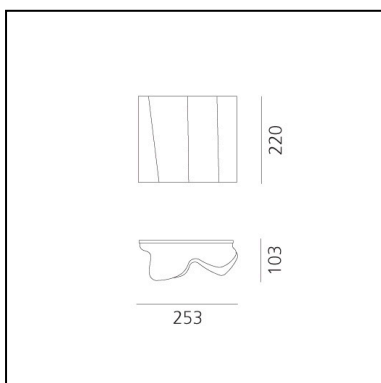
- Category: **LED RETROFIT**
- Number: **1**
- Watt: **5W**
- Socket: **E14**

Logico Mini Wall - Silk Diffuser

Michele De Lucchi
Gerhard Reichert



IP20      Dimmerable: 



LUMINAIRE *

- Watt: **10,5W**
- Voltage: **220V-240V**
- Delivered lumen output: **740lm**
- Efficiency: **70%**
- Efficacy: **74.01lm/W**

CR 80 data may vary depending on the source installed.
Light measurements are provided in relative form and technical lighting calculations may be updated according to the effective source used.

DESCRIPTION

The hand-made blown glass diffuser defines a soft, irregular volume, shaped by curves that generate a relationship of positives and negatives which make the geometric shape modular for linear compositions.

FEATURES

- Product Code: **0395030A**
- Colour: **Silk**
- Installation: **Wall**
- Material: **Blown glass, steel**
- Series: **Design Collection**
- Environment: **Indoor**
- Area contract: **Hospitality, null, Office, Residential**
- Emission: **Diffused And Direct**
- design by: **Michele De Lucchi, Gerhard Reichert**

DIMENSIONS

- Length: **253 mm**
- Width: **103 mm**
- Height: **220 mm**

SOURCES NOT INCLUDED

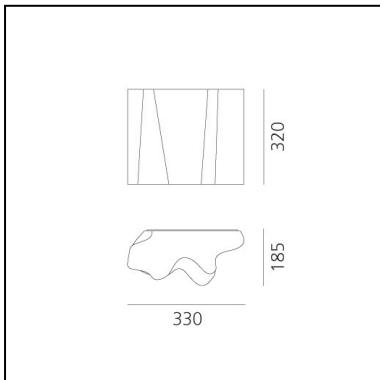
- Category: **LED RETROFIT**
- Number: **1**
- Watt: **8W**
- Delivered lumen output: **900lm**
- Socket: **E27**

Logico Wall - Fumè Diffuser

Michele De Lucchi
Gerhard Reichert



IP20    Dimmerable:  



LUMINAIRE *

- Watt: **26W**
- Voltage: **220V-240V**

– Delivered lumen output: **2134lm** once installed.
Light measurements are provided in relative form and technical lighting calculations may be updated according to the effective source used.

DESCRIPTION

The hand-made blown glass diffuser defines a soft, irregular volume, shaped by curves that generate a relationship of positives and negatives which make the geometric shape modular for linear compositions.

FEATURES

- Product Code: **0391010A**
- Colour: **Fumè**
- Installation: **Wall**
- Material: **Blown glass, steel**
- Series: **Design Collection**
- Environment: **Indoor**
- Area contract: **Hospitality, null, Office, Residential**
- Emission: **Diffused And Direct**
- design by: **Michele De Lucchi, Gerhard Reichert**

DIMENSIONS

- Length: **330 mm**
- Width: **185 mm**
- Height: **320 mm**

SOURCES NOT INCLUDED

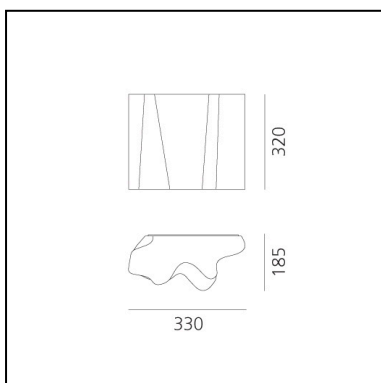
- Category: **LED RETROFIT**
- Number: **2**
- Watt: **8W**
- Delivered lumen output: **900lm**
- Socket: **E27**

Logico Wall - Silk Diffuser

Michele De Lucchi
Gerhard Reichert



IP20      Dimmerable: 



LUMINAIRE *

- Watt: **24W**
- Voltage: **220V-240V**
- Delivered lumen output: **2134lm**
- CCT: **2700K**
- Efficiency: **70%**
- Efficacy: **88.92lm/W**

* **CR180** data may vary depending on the source installed.
Light measurements are provided in relative form and technical lighting calculations may be updated according to the effective source used.

DESCRIPTION

The hand-made blown glass diffuser defines a soft, irregular volume, shaped by curves that generate a relationship of positives and negatives which make the geometric shape modular for linear compositions.

FEATURES

- Product Code: **0391030A**
- Colour: **Silk**
- Installation: **Wall**
- Material: **Blown glass, steel**
- Series: **Design Collection**
- Environment: **Indoor**
- Area contract: **Hospitality, null, Office, Residential**
- Emission: **Diffused And Direct**
- design by: **Michele De Lucchi, Gerhard Reichert**

DIMENSIONS

- Length: **330 mm**
- Width: **185 mm**
- Height: **320 mm**

SOURCES NOT INCLUDED

- Category: **LED RETROFIT**
- Number: **2**
- Watt: **8W**
- Delivered lumen output: **900lm**
- Socket: **E27**