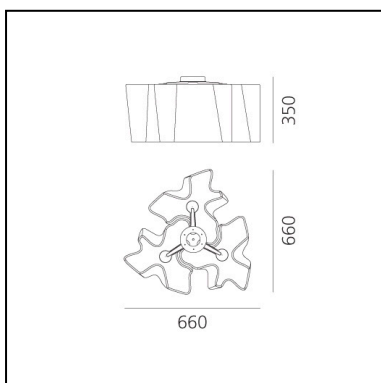


# Logico Ceiling 3x120° - Fumè Diffuser

Michele De Lucchi  
Gerhard Reichert



IP20    Dimmerable:  +  -



## LUMINAIRE \*

- Watt: **39W**
- Voltage: **220V-240V**
- Delivered lumen output: **3936lm**

\* Photometric data may vary depending on the source installed. Light measurements are provided in relative form and technical lighting calculations may be updated according to the effective source used.

## Notes

Its modular shape lends itself to the creation and realisation of customized compositions, supplied as special project.

## DESCRIPTION

The hand-made blown glass diffuser defines a soft, irregular volume, shaped by curves that generate a game of positives and negatives which make the geometric shape modular and allow the creation of standard compositions or configurations that are free to grow in space with larger custom compositions.

## FEATURES

- Product Code: **0458010A**
- Colour: **Fumè**
- Installation: **Ceiling**
- Material: **Blown glass, aluminium**
- Series: **Design Collection**
- Environment: **Indoor**
- Area contract: **Hospitality, null, Office**
- Emission: **Diffused And Direct**
- design by: **Michele De Lucchi, Gerhard Reichert**

## DIMENSIONS

- Length: **660 mm**
- Width: **660 mm**
- Height: **350 mm**

## SOURCES NOT INCLUDED

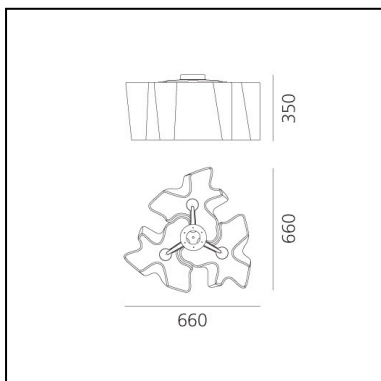
- Category: **LED RETROFIT**
- Number: **3**
- Watt: **12W**
- Socket: **E27**

# Logico Ceiling 3x120° - Silk Diffuser

Michele De Lucchi  
Gerhard Reichert



IP20     Dimmerable: 



## LUMINAIRE \*

- Watt: **36W**
- Voltage: **220V-240V**
- Delivered lumen output: **3936lm**
- CCT: **2700K**
- Efficiency: **86%**
- Efficacy: **109.33lm/W**
- CRI: **80**

\* Photometric data may vary depending on the source installed.  
Light measurements are provided in relative form and technical lighting calculations may be updated according to the effective source used.

## Notes

Its modular shape lends itself to the creation and realisation of customized compositions, supplied as special project.

## DESCRIPTION

The hand-made blown glass diffuser defines a soft, irregular volume, shaped by curves that generate a game of positives and negatives which make the geometric shape modular and allow the creation of standard compositions or configurations that are free to grow in space with larger custom compositions.

## FEATURES

- Product Code: **0458020A**
- Colour: **Silk**
- Installation: **Ceiling**
- Material: **Blown glass, aluminium**
- Series: **Design Collection**
- Environment: **Indoor**
- Area contract: **Hospitality, null, Office**
- Emission: **Diffused And Direct**
- design by: **Michele De Lucchi, Gerhard Reichert**

## DIMENSIONS

- Length: **660 mm**
- Width: **660 mm**
- Height: **350 mm**

## SOURCES NOT INCLUDED

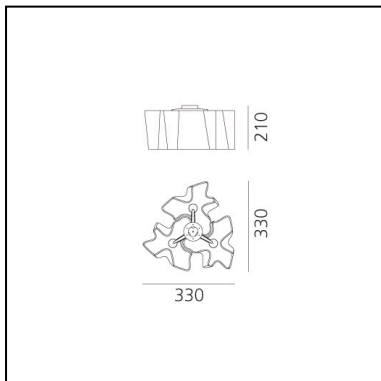
- Category: **LED RETROFIT**
- Number: **3**
- Watt: **12W**
- Socket: **E27**

# Logico Micro Ceiling 3x120° - Silk Diffuser

Michele De Lucchi  
Gerhard Reichert



IP20     Dimmerable: 



## LUMINAIRE \*

- Watt: **15W**
- Voltage: **220V-240V**
- Delivered lumen output: **1262lm**
- Efficiency: **90%**
- Efficacy: **84.13lm/W**
- CRI: **80**

\* Photometric data may vary depending on the source installed.  
Light measurements are provided in relative form and technical lighting calculations may be updated according to the effective source used.

## Notes

Its modular shape lends itself to the creation and realisation of customized compositions, supplied as special project.

## DESCRIPTION

The hand-made blown glass diffuser defines a soft, irregular volume, shaped by curves that generate a game of positives and negatives which make the geometric shape modular and allow the creation of standard compositions or configurations that are free to grow in space with larger custom compositions.

## FEATURES

- Product Code: **0645020A**
- Colour: **Silk**
- Installation: **Ceiling**
- Material: **Blown glass, aluminium**
- Series: **Design Collection**
- Environment: **Indoor**
- Area contract: **Hospitality, null, Office**
- Emission: **Diffused And Direct**
- design by: **Michele De Lucchi, Gerhard Reichert**

## DIMENSIONS

- Length: **330 mm**
- Width: **330 mm**
- Height: **210 mm**

## SOURCES NOT INCLUDED

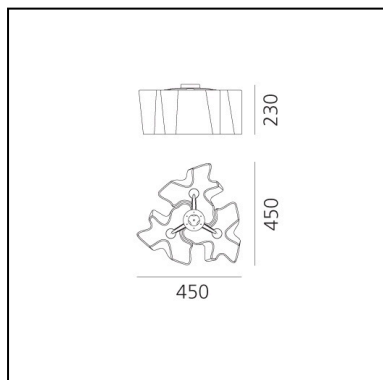
- Category: **LED RETROFIT**
- Number: **3**
- Watt: **5W**
- Socket: **E14**

# Logico Mini Ceiling 3x120° - Silk Diffuser

Michele De Lucchi  
Gerhard Reichert



IP20     Dimmerable: 



## LUMINAIRE \*

- Watt: **31,5W**
- Voltage: **220V-240V**
- Delivered lumen output: **2906lm**
- Efficiency: **92%**
- Efficacy: **93.74lm/W**
- CRI: **80**

\* Photometric data may vary depending on the source installed.  
Light measurements are provided in relative form and technical lighting calculations may be updated according to the effective source used.

## Notes

Its modular shape lends itself to the creation and realisation of customized compositions, supplied as special project.

## DESCRIPTION

The hand-made blown glass diffuser defines a soft, irregular volume, shaped by curves that generate a game of positives and negatives which make the geometric shape modular and allow the creation of standard compositions or configurations that are free to grow in space with larger custom compositions.

## FEATURES

- Product Code: **0693020A**
- Colour: **Silk**
- Installation: **Ceiling**
- Material: **Blown glass, aluminium**
- Series: **Design Collection**
- Environment: **Indoor**
- Area contract: **Hospitality, null, Office**
- Emission: **Diffused And Direct**
- design by: **Michele De Lucchi, Gerhard Reichert**

## DIMENSIONS

- Length: **450 mm**
- Width: **450 mm**
- Height: **230 mm**

## SOURCES NOT INCLUDED

- Category: **LED RETROFIT**
- Number: **3**
- Watt: **10W**
- Socket: **E27**