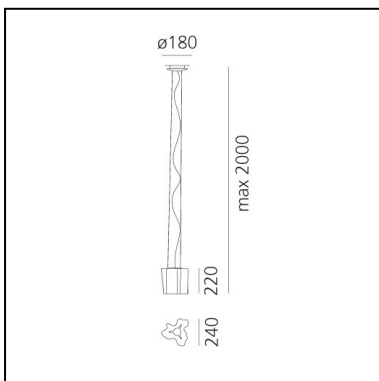


# Logico Mini Suspension - Silk Diffuser

Michele De Lucchi  
Gerhard Reichert



IP20   **ERC**   Dimmerable: 



## LUMINAIRE \*

- Watt: **10,5W**
- Voltage: **220V-240V**
- Delivered lumen output: **969lm**
- Efficiency: **92%**
- Efficacy: **96.87lm/W**
- CRI: **80**

\* Photometric data may vary depending on the source installed.  
Light measurements are provided in relative form and technical lighting calculations may be updated according to the effective source used.

## Notes

Available in four sizes and in four configurations: single, on line, 3x120° and 4x90°. Its modular shape lends itself to the creation and realisation of customized compositions, supplied as special project. Logico nano track is available with track adapter.

## DESCRIPTION

The hand-made blown glass diffuser defines a soft, irregular volume, shaped by curves that generate a game of positives and negatives which make the geometric shape modular and allow the creation of standard compositions or configurations that are free to grow in space with larger custom compositions.

## FEATURES

- Product Code: **0696020A**
- Colour: **Silk**
- Installation: **Suspension**
- Material: **Blown glass, aluminium**
- Series: **Design Collection**
- Environment: **Indoor**
- Area contract: **Hospitality, Office**
- Emission: **Diffused And Direct**
- design by: **Michele De Lucchi, Gerhard Reichert**

## DIMENSIONS

- Width: **240 mm**
- Height: **220 mm**
- Base Diameter: **180 mm**
- Max Height from ceiling: **2000 mm**

## SOURCES NOT INCLUDED

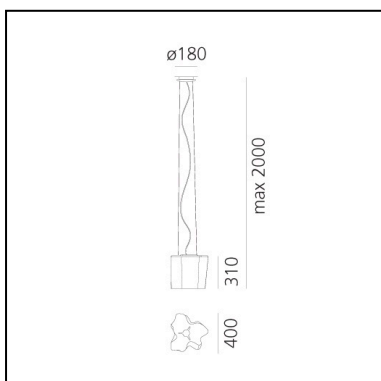
- Category: **LED RETROFIT**
- Number: **1**
- Watt: **10W**
- Delivered lumen output: **1055lm**
- Socket: **E27**

# Logico Suspension - Fumè Diffuser

Michele De Lucchi  
Gerhard Reichert



IP20   **EAC**   Dimmerable: 



## LUMINAIRE \*

- Watt: **13W**
- Voltage: **220V-240V**
- Delivered lumen output: **1312lm**

\* Photometric data may vary depending on the source installed. Light measurements are provided in relative form and technical lighting calculations may be updated according to the effective source used.

## Notes

Available in four sizes and in four configurations: single, on line, 3x120° and 4x90°. Its modular shape lends itself to the creation and realisation of customized compositions, supplied as special project. Logico nano track is available with track adapter.

## DESCRIPTION

The hand-made blown glass diffuser defines a soft, irregular volume, shaped by curves that generate a game of positives and negatives which make the geometric shape modular and allow the creation of standard compositions or configurations that are free to grow in space with larger custom compositions.

## FEATURES

- Product Code: **0453010A**
- Colour: **Fumè**
- Installation: **Suspension**
- Material: **Blown glass, aluminium**
- Series: **Design Collection**
- Environment: **Indoor**
- Area contract: **Hospitality, Office**
- Emission: **Diffused And Direct**
- design by: **Michele De Lucchi, Gerhard Reichert**

## DIMENSIONS

- Width: **400 mm**
- Height: **310 mm**
- Base Diameter: **180 mm**
- Max Height from ceiling: **2000 mm**

## SOURCES NOT INCLUDED

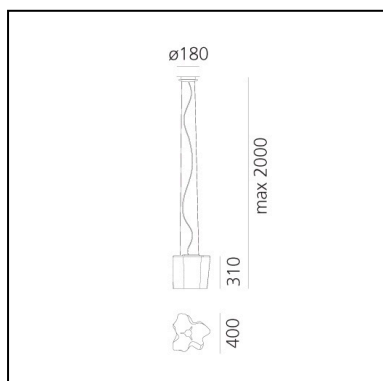
- Category: **LED RETROFIT**
- Number: **1**
- Watt: **12W**
- Socket: **E27**

# Logico Suspension - Silk Diffuser

Michele De Lucchi  
Gerhard Reichert



IP20   **ERC**   Dimmerable: 



## LUMINAIRE \*

- Watt: **12W**
- Voltage: **220V-240V**
- Delivered lumen output: **1312lm**
- CCT: **2700K**
- Efficiency: **86%**
- Efficacy: **109.33lm/W**
- CRI: **80**

\* Photometric data may vary depending on the source installed.  
Light measurements are provided in relative form and technical lighting calculations may be updated according to the effective source used.

## Notes

Available in four sizes and in four configurations: single, on line, 3x120° and 4x90°. Its modular shape lends itself to the creation and realisation of customized compositions, supplied as special project. Logico nano track is available with track adapter.

## DESCRIPTION

The hand-made blown glass diffuser defines a soft, irregular volume, shaped by curves that generate a game of positives and negatives which make the geometric shape modular and allow the creation of standard compositions or configurations that are free to grow in space with larger custom compositions.

## FEATURES

- Product Code: **0453020A**
- Colour: **Silk**
- Installation: **Suspension**
- Material: **Blown glass, aluminium**
- Series: **Design Collection**
- Environment: **Indoor**
- Area contract: **Hospitality, Office**
- Emission: **Diffused And Direct**
- design by: **Michele De Lucchi, Gerhard Reichert**

## DIMENSIONS

- Width: **400 mm**
- Height: **310 mm**
- Base Diameter: **180 mm**
- Max Height from ceiling: **2000 mm**

## SOURCES NOT INCLUDED

- Category: **LED RETROFIT**
- Number: **1**
- Watt: **12W**
- Socket: **E27**