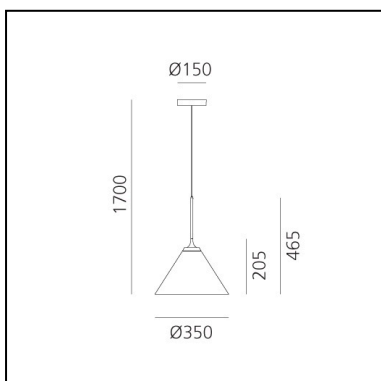


Look at Me 35 - Black

Alida Catella
Silvio De Ponte



IP20   Dimmerable: 



LUMINAIRE

- Watt: **20W**
- Delivered lumen output: **692lm**
- CCT: **3000K**
- Efficiency: **34%**
- Efficacy: **34.61lm/W**
- CRI: **90**
- Dimmable Typology: **Push**

DESCRIPTION

Look at Me is a family of suspensions that starting from two different geometries of the diffuser follows the light needs of the space in which it is inserted, with single, cluster, or track-mounted suspensions.

They are essential elements, yet perfectly designed to guarantee maximum efficiency and luminous comfort thanks to two lenses placed at the two ends of the diffuser.

The light emitted by the LED source is perfectly controlled inside the cone, the beam of light drawn by the primary lens falls exactly on the surface of the lower lens, that opens the emission.

Light is therefore not diffused through the black cone but it is precisely cut so to intercept the stepped profile and animate its dark volume with lines of light.

The diffusers can also be combined on a suspended track with a cylindrical section, available in three lengths. This offers the opportunity to design landscapes of light by distributing the luminous elements in the space, in order to manage the illumination.

Multiple tracks can be electrically connected without predefined geometries. The junction is in fact only a connection passage (electricity and data) and not a mechanical joint. This opens up to great freedom and flexibility, for a system which from a single point of electrical connection brings light into space for many meters.

FEATURES

- Product Code: **1451010A**
- Colour: **Black**
- Installation: **Suspension**
- Series: **Design Collection**
- Environment: **Indoor**
- design by: **Alida Catella, Silvio De Ponte**

DIMENSIONS

- Height: **465 mm**
- Diameter: **350 mm**
- Base Diameter: **136 mm**
- Max Height from ceiling: **1700 mm**

SOURCES INCLUDED

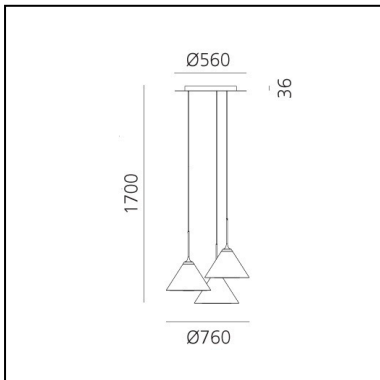
- Category: **Led**
- Number: **1**
- Watt: **18W**
- Delivered lumen output: **2022lm**
- Color temperature (K): **3000K**
- CRI: **90**

Look at Me Cluster 35 - Nero

Alida Catella
Silvio De Ponte



IP20   Dimmerable: 



LUMINAIRE

- Watt: **50W**
- Delivered lumen output: **1905lm**
- CCT: **3000K**
- Efficiency: **40%**
- Efficacy: **38.11lm/W**
- CRI: **90**
- Dimmable Typology: **Push & APP**

DESCRIPTION

Look at Me is a family of suspensions that starting from two different geometries of the diffuser follows the light needs of the space in which it is inserted, with single, cluster, or track-mounted suspensions.

They are essential elements, yet perfectly designed to guarantee maximum efficiency and luminous comfort thanks to two lenses placed at the two ends of the diffuser.

The light emitted by the LED source is perfectly controlled inside the cone, the beam of light drawn by the primary lens falls exactly on the surface of the lower lens, that opens the emission.

Light is therefore not diffused through the black cone but it is precisely cut so to intercept the stepped profile and animate its dark volume with lines of light.

The diffusers can also be combined on a suspended track with a cylindrical section, available in three lengths. This offers the opportunity to design landscapes of light by distributing the luminous elements in the space, in order to manage the illumination.

Multiple tracks can be electrically connected without predefined geometries. The junction is in fact only a connection passage (electricity and data) and not a mechanical joint. This opens up to great freedom and flexibility, for a system which from a single point of electrical connection brings light into space for many meters.

FEATURES

- Product Code: **1453010APP**
- Colour: **Black**
- Installation: **Suspension**
- Series: **Design Collection**
- Environment: **Indoor**
- design by: **Alida Catella, Silvio De Ponte**

DIMENSIONS

- Length: **760 mm**
- Width: **760 mm**
- Base Diameter: **560 mm**
- Max Height from ceiling: **1700 mm**

SOURCES INCLUDED

- Category: **Led**
- Number: **1**
- Watt: **50W**
- Delivered lumen output: **4500lm**
- Color temperature (K): **3000K**
- CRI: **90**

Accessories

Device for switching and controlling Artemide App products. Max N.3 inputs for external push buttons. Max 1m distance. Mains power supply required. To be installed inside flush mounting boxes or junction boxes. DV1080APP