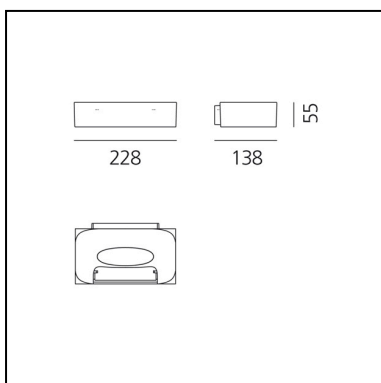


Melete wall White

Pio & Tito Toso



IP20    Dimmerable: 



LUMINAIRE *

– Watt: **11W**

– Voltage: **220V-240V** depending on the source installed.
* Light measurements are provided in relative form and technical lighting calculations may be updated according to the effective source used.

DESCRIPTION

It controls a perfect indirect light that opens into the setting, leaving a small part of the light to model the lower volume smoothly, animating its curvature.

FEATURES

- Product Code: **1634010A**
- Colour: **White**
- Installation: **Wall**
- Material: **Aluminum lamp body, technopolymer diffuser**
- Series: **Design Collection**
- Environment: **Indoor**
- Area contract: **All projects**
- Emission: **Direct, indirect**
- design by: **Pio & Tito Toso**

DIMENSIONS

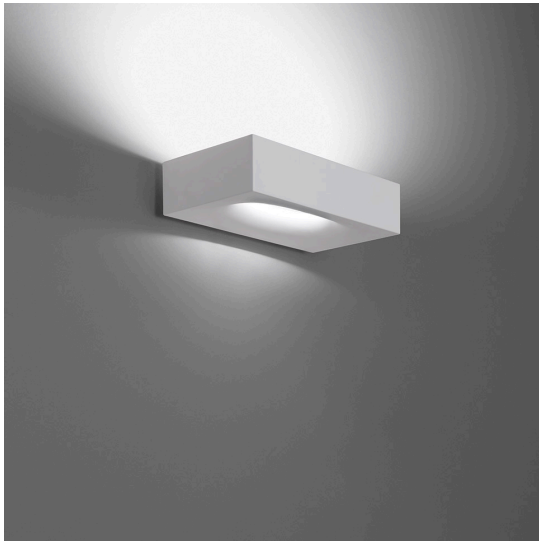
- Length: **228 mm**
- Width: **138 mm**
- Height: **55 mm**
- Glow Wire Test: **850°**

SOURCES NOT INCLUDED

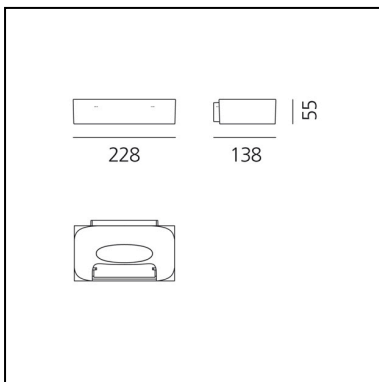
- Category: **LED RETROFIT**
- Number: **1**
- Watt: **11W**
- Socket: **R7s**

Melete wall white LED 2700K

Pio & Tito Toso



IP20   Dimmerable: 



LUMINAIRE

- Watt: **27W**
- Voltage: **220V-240V**
- Delivered lumen output: **2047lm**
- CCT: **2700K**
- Efficiency: **74%**
- Efficacy: **75.81lm/W**
- CRI: **90**
- Dimmable Typology: **Push**

Notes

Lamp included.

DESCRIPTION

It controls a perfect indirect light that opens into the setting, leaving a small part of the light to model the lower volume smoothly, animating its curvature.

FEATURES

- Product Code: **1633W10A**
- Colour: **White**
- Installation: **Wall**
- Material: **Aluminum lamp body, technopolymer diffuser**
- Series: **Design Collection**
- Environment: **Indoor**
- Area contract: **All projects**
- Emission: **Direct, indirect**
- design by: **Pio & Tito Toso**

DIMENSIONS

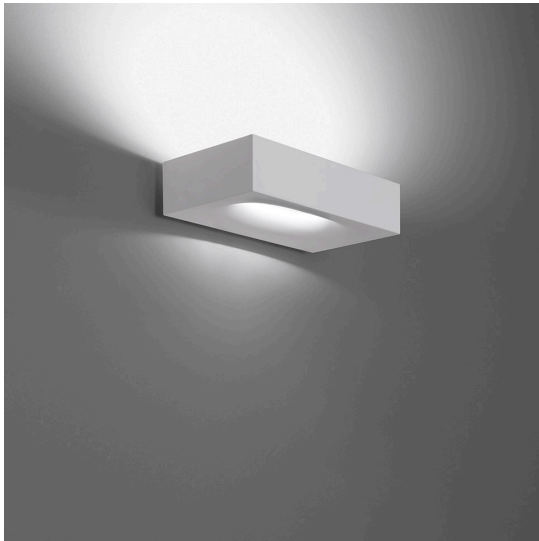
- Length: **228 mm**
- Width: **138 mm**
- Height: **55 mm**


SOURCES INCLUDED

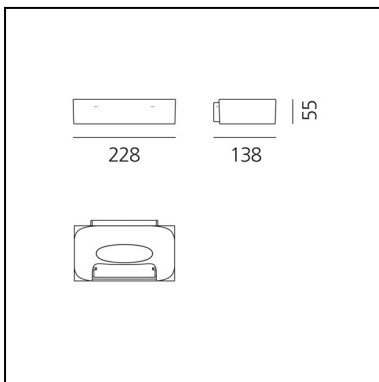
- Category: **Led**
- Number: **1**
- Watt: **27W**
- Color temperature (K): **2700K**
- CRI: **90**

Melete wall white LED 3000K

Pio & Tito Toso



IP20   Dimmerable: 



LUMINAIRE

- Watt: **27W**
- Voltage: **220V-240V**
- Delivered lumen output: **2191lm**
- CCT: **3000K**
- Efficiency: **74%**
- Efficacy: **81.15lm/W**
- CRI: **90**
- Dimmable Typology: **Push**

Notes

Lamp included.

DESCRIPTION

It controls a perfect indirect light that opens into the setting, leaving a small part of the light to model the lower volume smoothly, animating its curvature.

FEATURES

- Product Code: **1633010A**
- Colour: **White**
- Installation: **Wall**
- Material: **Aluminum lamp body, technopolymer diffuser**
- Series: **Design Collection**
- Environment: **Indoor**
- Area contract: **All projects**
- Emission: **Direct, indirect**
- design by: **Pio & Tito Toso**

DIMENSIONS

- Length: **228 mm**
- Width: **138 mm**
- Height: **55 mm**

SOURCES INCLUDED

- Category: **Led**
- Number: **1**
- Watt: **27W**
- Delivered lumen output: **3200lm**
- Color temperature (K): **3000K**
- CRI: **90**
- Color Tolerance: **MacAdam 2SDCM**