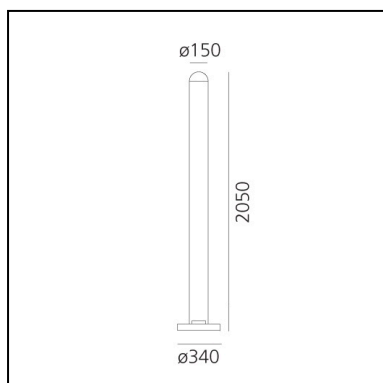


# Metacolor LED - App Compatible

Ernesto Gismondi



IP20     



## LUMINAIRE

- Watt: **LED 40W + RGB 86W**
- Voltage: **220V-240V**
- Delivered lumen output: **2500lm**
- CCT: **3000K**
- CRI: **90**

## Notes

It uses RGB sources that allow to obtain infinite atmospheres of colored light that can be managed through the APP.

## DESCRIPTION

It is one of the iconic pieces in the Metamorfosi collection which introduced the use of coloured light. Its diffuser body changes the atmosphere of a space with light, becoming the focus point of the setting.

## FEATURES

- Product Code: **0473110APP**
- Colour: **White**
- Installation: **Floor**
- Material: **Steel and transparent technopolymer base, aluminum inner frame, frosted technopolymer lamp body**
- Series: **Design Collection, Metamorfosi**
- Environment: **Indoor**
- Emission: **Diffused**
- design by: **Ernesto Gismondi**

## DIMENSIONS

- Height: **2050 mm**
- Diameter: **150 mm**
- Base Diameter: **340 mm**
- Glow Wire Test: **650°**

## SOURCES INCLUDED

- Category: **Led**
- Number: **1**
- Color temperature (K): **3000K**
- CRI: **90**
- Category: **Led RGB**
- Number: **1**

**Accessories**

Device for switching and controlling Artemide App products. Max N.3 inputs for external push buttons. Max 1m distance. Mains power supply required. To be installed inside flush mounting boxes or junction boxes. DV1080APP