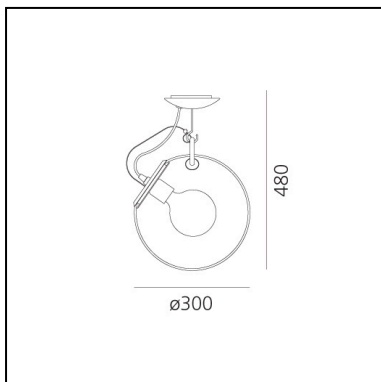


# Miconos Ceiling - Polished chrome

Ernesto Gismondi



IP20      Dimmerable: 



## LUMINAIRE \*

- Watt: **15W**
- Voltage: **220V-240V**
- Delivered lumen output: **1372lm**
- Efficiency: **90%**
- Efficacy: **91.48lm/W**

← **CR180** data may vary depending on the source installed.  
Light measurements are provided in relative form and technical lighting calculations may be updated according to the effective source used.

## DESCRIPTION

The functional and balanced composition of the frame supports the transparent diffuser, emphasising the light source and turning it into an ever stylish and topical icon thanks to its simple beauty.

## FEATURES

- Product Code: **A022800**
- Colour: **Polished chrome**
- Installation: **Ceiling**
- Material: **Brass and steel frame, blown plate-glass diffuser**
- Series: **Design Collection**
- Environment: **Indoor**
- Area contract: **All projects**
- Emission: **Diffused And Direct**
- design by: **Ernesto Gismondi**

## DIMENSIONS

- Height: **480 mm**
- Diameter: **300 mm**

## SOURCES NOT INCLUDED

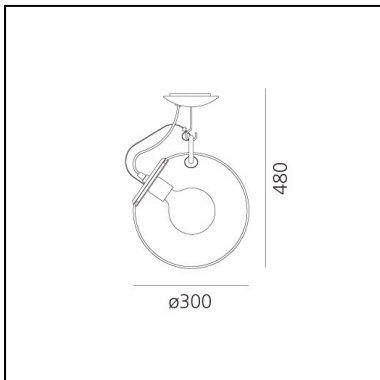
- Category: **LED RETROFIT**
- Number: **1**
- Socket: **E27**

# Miconos Ceiling - Satin brass

Ernesto Gismondi



IP20      Dimmerable: 



## LUMINAIRE \*

- Watt: **15W**
- Voltage: **220V-240V**
- Delivered lumen output: **1372lm**
- Efficiency: **90%**
- Efficacy: **91.48lm/W**

← **CR180** data may vary depending on the source installed.  
Light measurements are provided in relative form and technical lighting calculations may be updated according to the effective source used.

## DESCRIPTION

The functional and balanced composition of the frame supports the transparent diffuser, emphasising the light source and turning it into an ever stylish and topical icon thanks to its simple beauty.

## FEATURES

- Product Code: **A022810**
- Colour: **Satin brass**
- Installation: **Ceiling**
- Material: **Brass and steel frame, blown plate-glass diffuser**
- Series: **Design Collection**
- Environment: **Indoor**
- Area contract: **All projects**
- Emission: **Diffused And Direct**
- design by: **Ernesto Gismondi**

## DIMENSIONS

- Height: **480 mm**
- Diameter: **300 mm**

## SOURCES NOT INCLUDED

- Category: **LED RETROFIT**
- Number: **1**
- Socket: **E27**