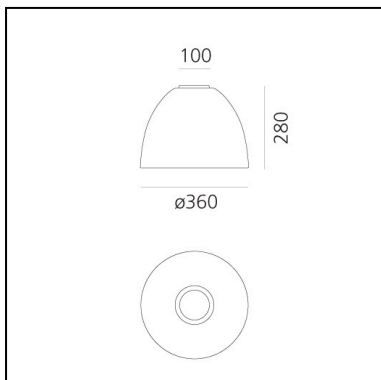


# Nur Mini - Ceiling - Anodized Aluminum

Ernesto Gismondi



IP40    Dimmerable: +  -



## LUMINAIRE \*

- Watt: **21W**
- Voltage: **220V-240V**
- Delivered lumen output: **1127lm**
- Efficiency: **46%**
- Efficacy: **53.64lm/W**
- CRI: **80**

\* Photometric data may vary depending on the source installed.  
Light measurements are provided in relative form and technical lighting calculations may be updated according to the effective source used.

## Notes

Added to the direct emission is an indirect emission that produces a halo of decorative light on the ceiling.

## DESCRIPTION

An extreme geometric synthesis of optics par excellence, Nur manifests its presence through a monolithic and mono-material body. The essential and geometrically calibrated lines of a perfect parabola conceal an optical heart that perfectly controls the emission, without offending direct vision. It ensures general ambient lighting thanks also to indirect emission. Artemide App Compatible.

## FEATURES

- Product Code: **A244250**
- Colour: **Anodized Aluminum**
- Installation: **Ceiling**
- Material: **Aluminium, polycarbonate**
- Series: **Design Collection**
- Environment: **Indoor**
- Area contract: **Hospitality, Residential**
- Emission: **Diffused Direct/Indirect**
- design by: **Ernesto Gismondi**

## DIMENSIONS

- Height: **280 mm**
- Diameter: **360 mm**
- Base Diameter: **100 mm**
- Impact Resistance: **N/D**
- Glow Wire Test: **650°C**

## SOURCES NOT INCLUDED

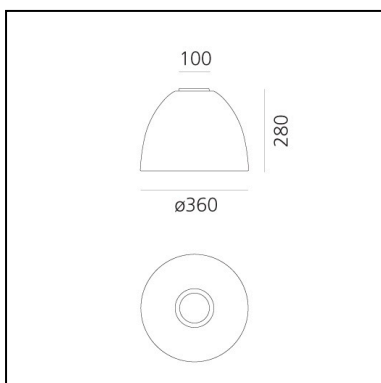
- Category: **LED RETROFIT**
- Number: **1**
- Watt: **21W**
- Socket: **E27**

# Nur Mini - Ceiling - Anthracite Grey

Ernesto Gismondi



IP40    Dimmerable: +  -



## LUMINAIRE \*

- Watt: **21W**
- Voltage: **220V-240V**
- Delivered lumen output: **1127lm**
- Efficiency: **46%**
- Efficacy: **53.64lm/W**
- CRI: **80**

\* Photometric data may vary depending on the source installed.  
Light measurements are provided in relative form and technical lighting calculations may be updated according to the effective source used.

## Notes

Added to the direct emission is an indirect emission that produces a halo of decorative light on the ceiling.

## DESCRIPTION

An extreme geometric synthesis of optics par excellence, Nur manifests its presence through a monolithic and mono-material body. The essential and geometrically calibrated lines of a perfect parabola conceal an optical heart that perfectly controls the emission, without offending direct vision. It ensures general ambient lighting thanks also to indirect emission. Artemide App Compatible.

## FEATURES

- Product Code: **A244200**
- Colour: **Anthracite grey**
- Installation: **Ceiling**
- Material: **Aluminium, polycarbonate**
- Series: **Design Collection**
- Environment: **Indoor**
- Area contract: **Hospitality, Residential**
- Emission: **Diffused Direct/Indirect**
- design by: **Ernesto Gismondi**

## DIMENSIONS

- Height: **280 mm**
- Diameter: **360 mm**
- Base Diameter: **100 mm**
- Impact Resistance: **N/D**
- Glow Wire Test: **50°C**

## SOURCES NOT INCLUDED

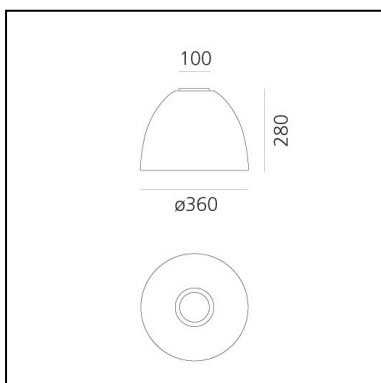
- Category: **LED RETROFIT**
- Number: **1**
- Watt: **21W**
- Socket: **E27**

# Nur Mini LED - Ceiling - Anodized Aluminum

Ernesto Gismondi



IP40     Dimmerable: 



## LUMINAIRE

- Watt: **30W**
- Voltage: **220V-240V**
- Delivered lumen output: **1287lm**
- CCT: **2700K**
- Efficiency: **47%**
- Efficacy: **42.90lm/W**
- CRI: **90**
- Dimmable Typology: **Push**

## Notes

Added to the direct emission is an indirect emission that produces a halo of decorative light on the ceiling.

## DESCRIPTION

An extreme geometric synthesis of optics par excellence, Nur manifests its presence through a monolithic and mono-material body. The essential and geometrically calibrated lines of a perfect parabola conceal an optical heart that perfectly controls the emission, without offending direct vision. It ensures general ambient lighting thanks also to indirect emission. Artemide App Compatible.

## FEATURES

- Product Code: **A246510**
- Colour: **Anodized Aluminum**
- Installation: **Ceiling**
- Material: **Aluminum, methacrylate**
- Series: **Design Collection**
- Environment: **Indoor**
- Area contract: **Hospitality, Residential**
- Emission: **Diffused Direct/Indirect**
- design by: **Ernesto Gismondi**

## DIMENSIONS

- Height: **285 mm**
- Diameter: **366 mm**
- Base Diameter: **100 mm**

## SOURCES INCLUDED

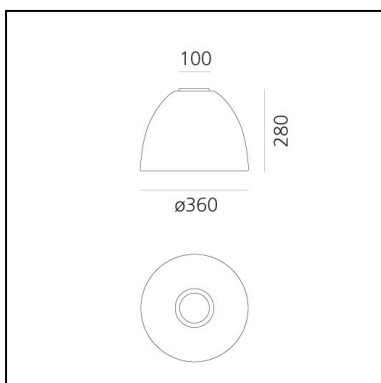
- Category: **Led**
- Number: **1**
- Watt: **30W**
- Delivered lumen output: **2990lm**
- Color temperature (K): **2700K**
- CRI: **90**
- Color Tolerance: **MacAdam 2SDCM**

# Nur Mini LED - Ceiling - Anthracite grey

Ernesto Gismondi



IP40     Dimmerable: +0-



## LUMINAIRE

- Watt: **30W**
- Voltage: **220V-240V**
- Delivered lumen output: **1287lm**
- CCT: **2700K**
- Efficiency: **47%**
- Efficacy: **42.90lm/W**
- CRI: **90**
- Dimmable Typology: **Push**

## Notes

Added to the direct emission is an indirect emission that produces a halo of decorative light on the ceiling.

## DESCRIPTION

An extreme geometric synthesis of optics par excellence, Nur manifests its presence through a monolithic and mono-material body. The essential and geometrically calibrated lines of a perfect parabola conceal an optical heart that perfectly controls the emission, without offending direct vision. It ensures general ambient lighting thanks also to indirect emission. Artemide App Compatible.

## FEATURES

- Product Code: **A246500**
- Colour: **Anthracite grey**
- Installation: **Ceiling**
- Material: **Aluminum, methacrylate**
- Series: **Design Collection**
- Environment: **Indoor**
- Area contract: **Hospitality, Residential**
- Emission: **Diffused Direct/Indirect**
- design by: **Ernesto Gismondi**

## DIMENSIONS

- Height: **285 mm**
- Diameter: **366 mm**
- Base Diameter: **100 mm**

## SOURCES INCLUDED

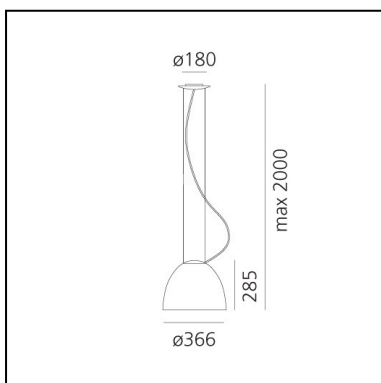
- Category: **Led**
- Number: **1**
- Watt: **30W**
- Delivered lumen output: **2990lm**
- Color temperature (K): **2700K**
- CRI: **90**
- Color Tolerance: **MacAdam 2SDCM**

# Nur Mini LED - Suspension - Anodized aluminum

Ernesto Gismondi



IP20     Dimmerable: 



## LUMINAIRE

- Watt: **30W**
- Voltage: **220V-240V**
- Delivered lumen output: **1501lm**
- CCT: **2700K**
- Efficiency: **57%**
- Efficacy: **50.03lm/W**
- CRI: **90**
- Dimmable Typology: **Push**

## Notes

Lamp included. With remote control.

## DESCRIPTION

An extreme geometric synthesis of optics par excellence, Nur manifests its presence through a monolithic and mono-material body. The essential and geometrically calibrated lines of a perfect parabola conceal an optical heart that perfectly controls the emission, without offending direct vision. It ensures general ambient lighting thanks also to indirect emission. Artemide App Compatible.

## FEATURES

- Product Code: **A246310**
- Colour: **Anodized aluminum**
- Installation: **Suspension**
- Material: **Aluminium, methacrylate, glass**
- Series: **Design Collection**
- Environment: **Indoor**
- Area contract: **Hospitality, Residential**
- Emission: **Diffused Direct/Indirect**
- design by: **Ernesto Gismondi**

## DIMENSIONS

- Height: **285 mm**
- Diameter: **366 mm**
- Base Diameter: **180 mm**
- Max Height from ceiling: **2200 mm**
- Impact Resistance: **N/D**
- Glow Wire Test: **650°C**

## SOURCES INCLUDED

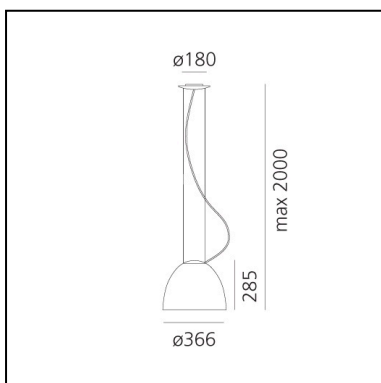
- Category: **Led**
- Number: **1**
- Watt: **30W**
- Delivered lumen output: **2990lm**
- Color temperature (K): **2700K**
- CRI: **90**
- Color Tolerance: **MacAdam 2SDCM**

# Nur Mini LED - Suspension - Anthracite grey

Ernesto Gismondi



IP20     Dimmerable: 



## LUMINAIRE

- Watt: **30W**
- Voltage: **220V-240V**
- Delivered lumen output: **1501lm**
- CCT: **2700K**
- Efficiency: **57%**
- Efficacy: **50.03lm/W**
- CRI: **90**
- Dimmable Typology: **Push**

## Notes

Lamp included.

## DESCRIPTION

An extreme geometric synthesis of optics par excellence, Nur manifests its presence through a monolithic and mono-material body. The essential and geometrically calibrated lines of a perfect parabola conceal an optical heart that perfectly controls the emission, without offending direct vision. It ensures general ambient lighting thanks also to indirect emission. Artemide App Compatible.

## FEATURES

- Product Code: **A246300**
- Colour: **Anthracite grey**
- Installation: **Suspension**
- Material: **Aluminium, methacrylate, glass**
- Series: **Design Collection**
- Environment: **Indoor**
- Area contract: **Hospitality, Residential**
- Emission: **Diffused Direct/Indirect**
- design by: **Ernesto Gismondi**

## DIMENSIONS

- Height: **285 mm**
- Diameter: **366 mm**
- Base Diameter: **180 mm**
- Max Height from ceiling: **2200 mm**
- Impact Resistance: **N/D**
- Glow Wire Test: **650°C**

## SOURCES INCLUDED

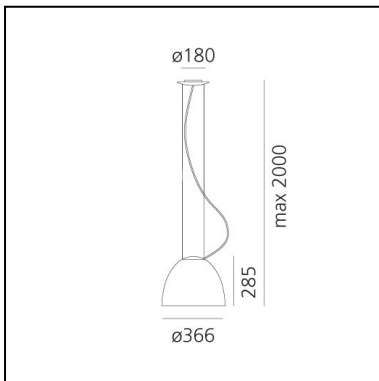
- Category: **Led**
- Number: **1**
- Watt: **30W**
- Delivered lumen output: **2990lm**
- Color temperature (K): **2700K**
- CRI: **90**
- Color Tolerance: **MacAdam 2SDCM**

# Nur Mini - Suspension - Anodized Aluminum

Ernesto Gismondi



IP20    Dimmerable:  +  -



## LUMINAIRE \*

- Watt: **11W**
- Voltage: **220V-240V**
- Delivered lumen output: **1127lm**

\* Photometric data may vary depending on the source installed. Light measurements are provided in relative form and technical lighting calculations may be updated according to the effective source used.

## Notes

As accessory, is available a coloured filter.

## DESCRIPTION

An extreme geometric synthesis of optics par excellence, Nur manifests its presence through a monolithic and mono-material body. The essential and geometrically calibrated lines of a perfect parabola conceal an optical heart that perfectly controls the emission, without offending direct vision. It ensures general ambient lighting thanks also to indirect emission. Artemide App Compatible.

## FEATURES

- Product Code: **A244010**
- Colour: **Anodized aluminum**
- Installation: **Suspension**
- Material: **Aluminium, glass**
- Series: **Design Collection**
- Environment: **Indoor**
- Area contract: **Hospitality, Residential**
- Emission: **Diffused Direct/Indirect**
- design by: **Ernesto Gismondi**

## DIMENSIONS

- Height: **285 mm**
- Diameter: **360 mm**
- Base Diameter: **180 mm**
- Max Height from ceiling: **2000 mm**
- Impact Resistance: **N/D**
- Glow Wire Test: **650°C**

## SOURCES NOT INCLUDED

- Category: **LED RETROFIT**
- Number: **1**
- Watt: **11W**
- Socket: **R7s**

**Accessories**

NO  
IMAGE  
AVAILABLE

NUR MINI FILTRO  
COLORATO X  
ALOG.200W A247900

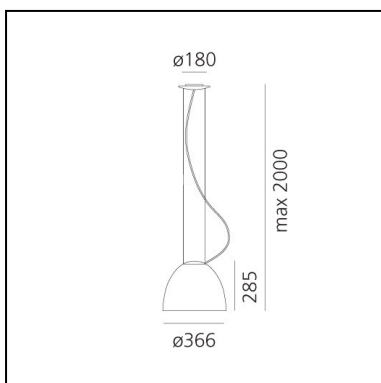


# Nur Mini - Suspension - Anthracite Grey

Ernesto Gismondi



IP20    Dimmerable:  +  -



## LUMINAIRE \*

- Watt: **11W**
- Voltage: **220V-240V**
- Delivered lumen output: **1127lm**

\* Photometric data may vary depending on the source installed. Light measurements are provided in relative form and technical lighting calculations may be updated according to the effective source used.

## Notes

As accessory, is available a coloured filter.

## DESCRIPTION

An extreme geometric synthesis of optics par excellence, Nur manifests its presence through a monolithic and mono-material body. The essential and geometrically calibrated lines of a perfect parabola conceal an optical heart that perfectly controls the emission, without offending direct vision. It ensures general ambient lighting thanks also to indirect emission. Artemide App Compatible.

## FEATURES

- Product Code: **A244000**
- Colour: **Anthracite grey**
- Installation: **Suspension**
- Material: **Aluminium, glass**
- Series: **Design Collection**
- Environment: **Indoor**
- Area contract: **Hospitality, Residential**
- Emission: **Diffused Direct/Indirect**
- design by: **Ernesto Gismondi**

## DIMENSIONS

- Height: **285 mm**
- Diameter: **360 mm**
- Base Diameter: **180 mm**
- Max Height from ceiling: **2000 mm**
- Impact Resistance: **N/D**
- Glow Wire Test: **650°C**

## SOURCES NOT INCLUDED

- Category: **LED RETROFIT**
- Number: **1**
- Watt: **11W**
- Socket: **R7s**

**Accessories**

NO  
IMAGE  
AVAILABLE

NUR MINI FILTRO  
COLORATO X  
ALOG.200W A247900