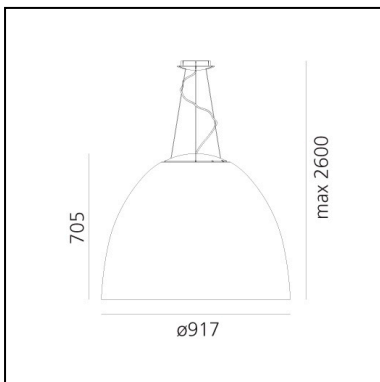


# Nur Acoustic - Grey

Ernesto Gismondi



IP20   Dimmerable: 



## LUMINAIRE

- Watt: **80W**
- Voltage: **220-240V**
- Delivered lumen output: **6151lm**
- CCT: **3000K**
- Efficiency: **68%**
- Efficacy: **76.89lm/W**
- CRI: **90**
- Dimmable Typology: **Push**

## DESCRIPTION

The bestselling appliance Nur, an iconic product from the Artemide collection, is restyled in a new acoustic version. The bell-shaped body is designed to mark the boundaries through light, as well as with ambient sound control. The special material absorbs sound waves and reduces their reverberation time, the body's geometry enhances the material's properties by trapping and absorbing sound within. The selected colours, matched with a white inner surface, valorize light. Perfect environmental quality is thus obtained.

## FEATURES

- Product Code: **A243700**
- Colour: **Grey**
- Installation: **Suspension**
- Material: **PET, methacrylate, glass**
- Series: **Design Collection**
- Environment: **Indoor**
- design by: **Ernesto Gismondi**

## DIMENSIONS

- Height: **705 mm**
- Diameter: **917 mm**
- Max Height from ceiling: **2600 mm**
- Glow Wire Test: **650°**

## SOURCES INCLUDED

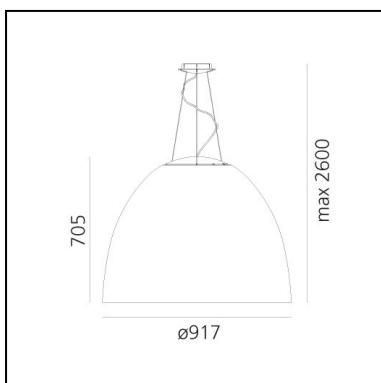
- Category: **Led**
- Number: **1**
- Watt: **75W**
- Delivered lumen output: **9112**
- Color temperature (K): **3000K**
- CRI: **90**
- Color Tolerance: **MacAdam 2SDCM**
- Efficacy: **122lm/W**
- Service Life: **50000-L70**

# Nur Acoustic - White

Ernesto Gismondi



IP20   Dimmerable: 



## LUMINAIRE

- Watt: **80W**
- Voltage: **220-240V**
- Delivered lumen output: **6151lm**
- CCT: **3000K**
- Efficiency: **68%**
- Efficacy: **76.89lm/W**
- CRI: **90**
- Dimmable Typology: **Push**

## DESCRIPTION

The bestselling appliance Nur, an iconic product from the Artemide collection, is restyled in a new acoustic version. The bell-shaped body is designed to mark the boundaries through light, as well as with ambient sound control. The special material absorbs sound waves and reduces their reverberation time, the body's geometry enhances the material's properties by trapping and absorbing sound within. The selected colours, matched with a white inner surface, valorize light. Perfect environmental quality is thus obtained.

## FEATURES

- Product Code: **A243720**
- Colour: **White**
- Installation: **Suspension**
- Material: **PET, methacrylate, glass**
- Series: **Design Collection**
- Environment: **Indoor**
- design by: **Ernesto Gismondi**

## DIMENSIONS

- Height: **705 mm**
- Diameter: **917 mm**
- Max Height from ceiling: **2600 mm**
- Glow Wire Test: **650°**

## SOURCES INCLUDED

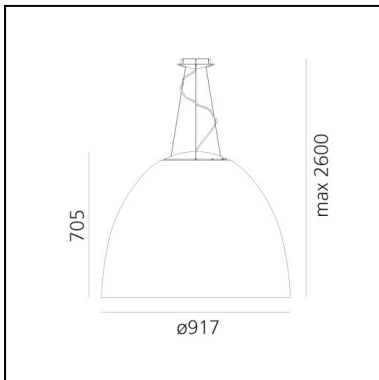
- Category: **Led**
- Number: **1**
- Watt: **75W**
- Delivered lumen output: **9112**
- Color temperature (K): **3000K**
- CRI: **90**
- Color Tolerance: **MacAdam 2SDCM**
- Efficacy: **122lm/W**
- Service Life: **50000-L70**

# Nur Acoustic White Integralis - Grey

Ernesto Gismondi



IP20  Dimmerable: +  -



## LUMINAIRE

### DAY MODE

- Watt: **80W**
- Voltage: **220-240V**
- Delivered lumen output: **6733lm**
- Radiant Flux: **4553mW**
- CCT: **5000K**
- Efficiency: **68%**
- Efficacy: **84.16lm/W**
- CRI: **90**
- Dimmable Typology: **Push**

## DESCRIPTION

Nur, an iconic product from the Artemide collection, is restyled in a new acoustic version. The bell-shaped body is designed to mark the boundaries through light, as well as with ambient sound control. The special material absorbs sound waves and reduces their reverberation time, the body's geometry enhances the material's properties by trapping and absorbing sound within. The selected colours, matched with a white inner surface, valorize light. Perfect environmental quality is thus obtained.

In the WHITE INTEGRALIS version, Nur is designed to offer a white emission ensuring perfect perception while respecting the human presence and which at the same time combines control of microbial growth. It can vary in intensity and is available with a fixed CCT of 5000K, with a high color rendering index (CRI 90).

## FEATURES

- Product Code: **A243700INO**
- Colour: **Grey**
- Installation: **Suspension**
- Material: **PET, methacrylate, glass**
- Series: **Design Collection**
- Environment: **Indoor**
- design by: **Ernesto Gismondi**

## DIMENSIONS

- Height: **705 mm**
- Diameter: **917 mm**
- Max Height from ceiling: **2600 mm**
- Glow Wire Test: **650°**

## SOURCES INCLUDED

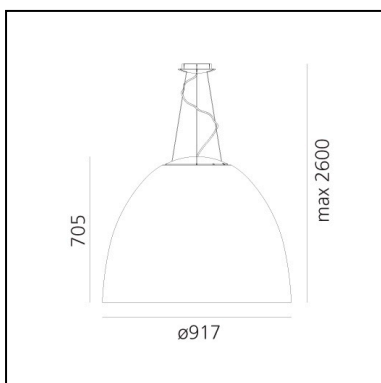
- Category: **Led**
- Number: **1**
- Color temperature (K): **5000K**
- CRI: **90**
- Color Tolerance: **3SDCM**
- Service Life: **L80 (10K) 55000h**

# Nur Acoustic White Integralis - White

Ernesto Gismondi



IP20  Dimmerable: 



## LUMINAIRE

### DAY MODE

- Watt: **80W**
- Voltage: **220-240V**
- Delivered lumen output: **6733lm**
- Radiant Flux: **4553mW**
- CCT: **5000K**
- Efficiency: **68%**
- Efficacy: **84.16lm/W**
- CRI: **90**
- Dimmable Typology: **Push**

## DESCRIPTION

Nur, an iconic product from the Artemide collection, is restyled in a new acoustic version. The bell-shaped body is designed to mark the boundaries through light, as well as with ambient sound control. The special material absorbs sound waves and reduces their reverberation time, the body's geometry enhances the material's properties by trapping and absorbing sound within. The selected colours, matched with a white inner surface, valorize light. Perfect environmental quality is thus obtained.

In the WHITE INTEGRALIS version, Nur is designed to offer a white emission ensuring perfect perception while respecting the human presence and which at the same time combines control of microbial growth. It can vary in intensity and is available with a fixed CCT of 5000K, with a high color rendering index (CRI 90).

## FEATURES

- Product Code: **A243720INO**
- Colour: **White**
- Installation: **Suspension**
- Material: **PET, methacrylate, glass**
- Series: **Design Collection**
- Environment: **Indoor**
- design by: **Ernesto Gismondi**

## DIMENSIONS

- Height: **705 mm**
- Diameter: **917 mm**
- Max Height from ceiling: **2600 mm**
- Glow Wire Test: **650°**

## SOURCES INCLUDED

- Category: **Led**
- Number: **1**
- Color temperature (K): **5000K**
- CRI: **90**
- Color Tolerance: **3SDCM**
- Service Life: **L80 (10K) 55000h**