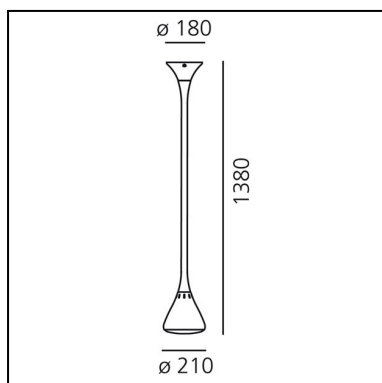


Pipe Suspension LED 2700K

Herzog & de Meuron



IP20    Dimmerable: 



LUMINAIRE

- Power Supply: **Electronic Integrated**
- Watt: **27W**
- Voltage: **220-240V**
- Delivered lumen output: **1763lm**
- CCT: **2700K**
- Efficiency: **67%**
- Efficacy: **65.30lm/W**
- CRI: **90**
- Dimmable Typology: **Push**

Notes

Flexible and adjustable, Pipe has a micro-perforated reflector that improves the quality of the lighting in the environment, as well as it enriches the design of the luminaire, which looks like it is studded with points of light of varied dimensions.

DESCRIPTION

Flexible painted steel structure, covered with a natural anti-yellowing silicone case; ceiling rose and diffuser in transparent rubber-effect painted polycarbonate; mirror aluminium reflector with random perforations; painted steel bottom plate. The new internal diffuser is reinterpreting the old fluorescent lamp using a modern LED source, this guarantees the same optical performance with less power consumption and a better quality of light.

FEATURES

- Product Code: **0672W10A**
- Colour: **Transparent**
- Installation: **Suspension**
- Material: **Polycarbonate, steel, silicon**
- Series: **Design Collection**
- Environment: **Indoor**
- design by: **Herzog & de Meuron**

DIMENSIONS

- Diameter: **210 mm**
- Base Diameter: **180 mm**
- Max Extension Length: **1380 mm**
- Impact Resistance: **IK6**
- Glow Wire Test: **960°**

SOURCES INCLUDED

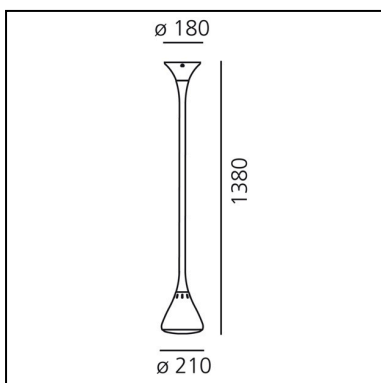
- Category: **Led**
- Number: **1**
- Watt: **24.2W**
- Delivered lumen output: **2607lm**
- Color temperature (K): **2700K**
- CRI: **90**
- Color Tolerance: **MacAdam 2SDCM**
- Efficacy: **108lm/W**
- Service Life: **50000-L70**

Pipe Suspension White Integralis

Herzog & de Meuron



IP20  Dimmerable: +0-



LUMINAIRE

DAY MODE

- Power Supply: **Electronic Integrated**
- Watt: **27W**
- Voltage: **220-240V**
- Delivered lumen output: **2143lm**
- Radiant Flux: **1449mW**
- CCT: **5000K**
- Efficiency: **67%**
- Efficacy: **79.37lm/W**
- CRI: **90**
- Dimmable Typology: **Push**

Notes

Flexible and adjustable, Pipe has a micro-perforated reflector that improves the quality of the lighting in the environment, as well as it enriches the design of the luminaire, which looks like it is studded with points of light of varied dimensions.

DESCRIPTION

Flexible painted steel structure, covered with a natural anti-yellowing silicone case; ceiling rose and diffuser in transparent rubber-effect painted polycarbonate; mirror aluminium reflector with random perforations; painted steel bottom plate. The new internal diffuser is reinterpreting the old fluorescent lamp using a modern LED source, this guarantees the same optical performance with less power consumption and a better quality of light.

In the WHITE INTEGRALIS version, Pipe is designed to offer a white emission ensuring perfect perception while respecting the human presence and which at the same time combines control of microbial growth. It can vary in intensity and is available with a fixed CCT of 5000K, with a high color rendering index (CRI 90).

FEATURES

- Product Code: **0672010IN0A**
- Colour: **Transparent**
- Installation: **Suspension**
- Material: **Polycarbonate, steel, silicon**
- Series: **Design Collection**
- Environment: **Indoor**
- design by: **Herzog & de Meuron**

DIMENSIONS

- Diameter: **210 mm**
- Base Diameter: **180 mm**
- Max Extension Length: **1380 mm**
- Impact Resistance: **IK6**
- Glow Wire Test: **960°**

SOURCES INCLUDED

- Category: **Led**
- Number: **1**
- Color temperature (K): **5000K**
- CRI: **90**
- Color Tolerance: **3SDCM**
- Service Life: **L80 (10K) 55000h**