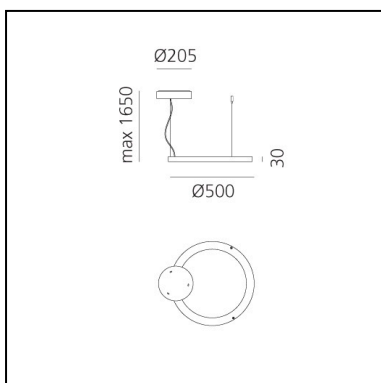


Ripple - Ring Ø500

BIG - Bjarke Ingels Group



IP20   Dimmerable: 



LUMINAIRE

- Watt: **50W**
- Delivered lumen output: **3089lm**
- CCT: **3000K**
- Efficiency: **49%**
- Efficacy: **61.78lm/W**
- CRI: **90**

Notes

To obtain the same luminous flux in case of compositions with several Ripple of different sizes side by side, set the drivers as follows:

- Ripple 500 - 20W
- Ripple 700 - 29W
- Ripple 900 - 38W

DESCRIPTION

This suspension system shapes the qualities of space through molecular growth, combining light and sound absorption. Comprised of circular structures in three different diameters, it works through layers of performance that can be modulated as required.

The structures unveil "pure" light or can be enriched by a diffuser which, in addition to interacting with the light, offers sound absorption properties.

The basic element of the product is a circular ring whose profile is a synthesis of optics and mechanical engineering. Ripple elements can also be combined in increasingly complex customised solutions: from simple lines or geometries of elements with a constant diameter, to compositions that combine different diameters in a more organic and free growth, through to show-stopping, striking solutions.

Once again, Artemide's project with BIG is guided by a strong idea of interaction with spaces, an open, modular and scalable solution that combines technological innovation with compositional intelligence, translating all this into something apparently simple but striking and full of potential. This freedom of configuration is then mirrored by the flexibility in management granted by interaction with Artemide App.

FEATURES

- Product Code: **2060010A**
- Colour: **White**
- Installation: **Suspension**
- Material: **Heat-conducting moulded plastic**
- Series: **Design Collection**
- Environment: **Indoor**
- design by: **BIG - Bjarke Ingels Group**

DIMENSIONS

- Height: **30 mm**
- Diameter: **500 mm**
- Base Diameter: **205 mm**
- Max Height from ceiling: **1650 mm**

Accessories



Acoustic Diffuser Ø500mm - h200mm 2072120A



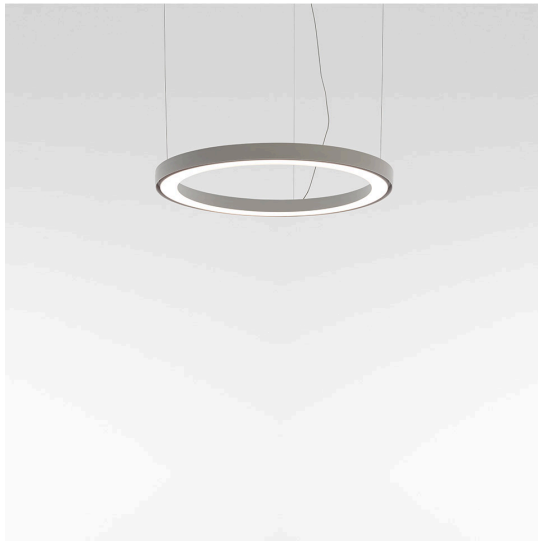
Acoustic Diffuser Ø500mm - h600mm 2072220A



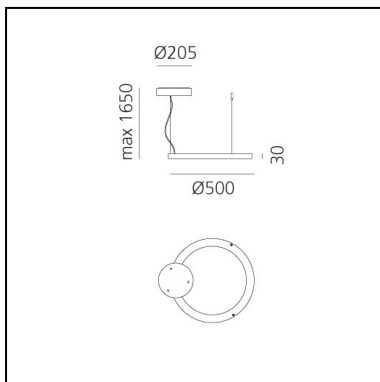
Acoustic Diffuser Ø500mm - h400mm 2072020A

Ripple - Ring Ø500 - APP Compatible

BIG - Bjarke Ingels Group



IP20   Dimmerable: 



LUMINAIRE

- Watt: **50W**
- Delivered lumen output: **3089lm**
- CCT: **3000K**
- Efficiency: **49%**
- Efficacy: **61.78lm/W**
- CRI: **90**

Notes

To obtain the same luminous flux in case of compositions with several Ripple of different sizes side by side, set the drivers as follows:

- Ripple 500 - 20W
- Ripple 700 - 29W
- Ripple 900 - 38W

DESCRIPTION

This suspension system shapes the qualities of space through molecular growth, combining light and sound absorption. Comprised of circular structures in three different diameters, it works through layers of performance that can be modulated as required.

The structures unveil "pure" light or can be enriched by a diffuser which, in addition to interacting with the light, offers sound absorption properties.

The basic element of the product is a circular ring whose profile is a synthesis of optics and mechanical engineering. Ripple elements can also be combined in increasingly complex customised solutions: from simple lines or geometries of elements with a constant diameter, to compositions that combine different diameters in a more organic and free growth, through to show-stopping, striking solutions.

Once again, Artemide's project with BIG is guided by a strong idea of interaction with spaces, an open, modular and scalable solution that combines technological innovation with compositional intelligence, translating all this into something apparently simple but striking and full of potential. This freedom of configuration is then mirrored by the flexibility in management granted by interaction with Artemide App.

FEATURES

- Product Code: **2060010APP**
- Colour: **White**
- Installation: **Suspension**
- Material: **Heat-conducting moulded plastic**
- Series: **Design Collection**
- Environment: **Indoor**
- design by: **BIG - Bjarke Ingels Group**

DIMENSIONS

- Height: **30 mm**
- Diameter: **500 mm**
- Base Diameter: **205 mm**
- Max Height from ceiling: **1650 mm**

Accessories

Device for switching and controlling Artemide App products. Max N.3 inputs for external push buttons. Max 1m distance. Mains power supply required. To be installed inside flush mounting boxes or junction boxes. DV1080APP



Acoustic Diffuser Ø500mm - h200mm 2072120A



Acoustic Diffuser Ø500mm - h600mm 2072220A



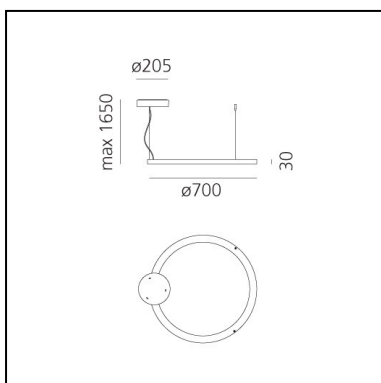
Acoustic Diffuser Ø500mm - h400mm 2072020A

Ripple - Ring Ø700

BIG - Bjarke Ingels Group



IP20   Dimmerable: 



LUMINAIRE

- Watt: **50W**
- Delivered lumen output: **3339lm**
- CCT: **3000K**
- Efficiency: **51%**
- Efficacy: **66.77lm/W**
- CRI: **90**

Notes

To obtain the same luminous flux in case of compositions with several Ripple of different sizes side by side, set the drivers as follows:

- Ripple 500 - 20W
- Ripple 700 - 29W
- Ripple 900 - 38W

DESCRIPTION

This suspension system shapes the qualities of space through molecular growth, combining light and sound absorption. Comprised of circular structures in three different diameters, it works through layers of performance that can be modulated as required.

The structures unveil "pure" light or can be enriched by a diffuser which, in addition to interacting with the light, offers sound absorption properties.

The basic element of the product is a circular ring whose profile is a synthesis of optics and mechanical engineering. Ripple elements can also be combined in increasingly complex customised solutions: from simple lines or geometries of elements with a constant diameter, to compositions that combine different diameters in a more organic and free growth, through to show-stopping, striking solutions.

Once again, Artemide's project with BIG is guided by a strong idea of interaction with spaces, an open, modular and scalable solution that combines technological innovation with compositional intelligence, translating all this into something apparently simple but striking and full of potential. This freedom of configuration is then mirrored by the flexibility in management granted by interaction with Artemide App.

FEATURES

- Product Code: **2061010A**
- Colour: **White**
- Installation: **Suspension**
- Material: **Heat-conducting moulded plastic**
- Series: **Design Collection**
- Environment: **Indoor**
- design by: **BIG - Bjarke Ingels Group**

DIMENSIONS

- Height: **30 mm**
- Diameter: **700 mm**
- Base Diameter: **205 mm**
- Max Height from ceiling: **1650 mm**

Accessories



Acoustic Diffuser Ø700mm - h200mm 2073120A



Acoustic Diffuser Ø700mm - h400mm 2073020A



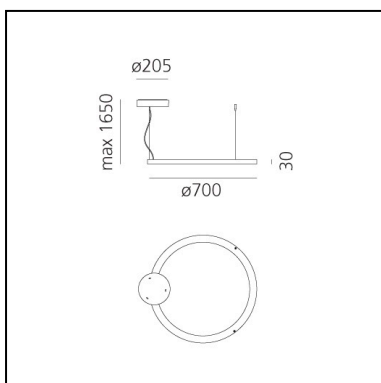
Acoustic Diffuser Ø700mm - h600mm 2073220A

Ripple - Ring Ø700 - APP Compatible

BIG - Bjarke Ingels Group



IP20   Dimmerable: 



LUMINAIRE

- Watt: **50W**
- Delivered lumen output: **3339lm**
- CCT: **3000K**
- Efficiency: **51%**
- Efficacy: **66.77lm/W**
- CRI: **90**

Notes

To obtain the same luminous flux in case of compositions with several Ripple of different sizes side by side, set the drivers as follows:

- Ripple 500 - 20W
- Ripple 700 - 29W
- Ripple 900 - 38W

DESCRIPTION

This suspension system shapes the qualities of space through molecular growth, combining light and sound absorption. Comprised of circular structures in three different diameters, it works through layers of performance that can be modulated as required.

The structures unveil "pure" light or can be enriched by a diffuser which, in addition to interacting with the light, offers sound absorption properties.

The basic element of the product is a circular ring whose profile is a synthesis of optics and mechanical engineering. Ripple elements can also be combined in increasingly complex customised solutions: from simple lines or geometries of elements with a constant diameter, to compositions that combine different diameters in a more organic and free growth, through to show-stopping, striking solutions.

Once again, Artemide's project with BIG is guided by a strong idea of interaction with spaces, an open, modular and scalable solution that combines technological innovation with compositional intelligence, translating all this into something apparently simple but striking and full of potential. This freedom of configuration is then mirrored by the flexibility in management granted by interaction with Artemide App.

FEATURES

- Product Code: **2061010APP**
- Colour: **White**
- Installation: **Suspension**
- Material: **Heat-conducting moulded plastic**
- Series: **Design Collection**
- Environment: **Indoor**
- design by: **BIG - Bjarke Ingels Group**

DIMENSIONS

- Height: **30 mm**
- Diameter: **700 mm**
- Base Diameter: **205 mm**
- Max Height from ceiling: **1650 mm**

Accessories



Device for switching and controlling Artemide App products. Max N.3 inputs for external push buttons. Max 1m distance. Mains power supply required. To be installed inside flush mounting boxes or junction boxes. DV1080APP



Acoustic Diffuser Ø700mm - h200mm 2073120A



Acoustic Diffuser Ø700mm - h400mm 2073020A



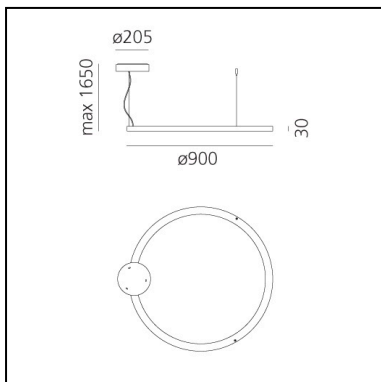
Acoustic Diffuser Ø700mm - h600mm 2073220A

Ripple - Ring Ø900

BIG - Bjarke Ingels Group



IP20   Dimmerable: 



LUMINAIRE

- Watt: **50W**
- Delivered lumen output: **3378lm**
- CCT: **3000K**
- Efficiency: **51%**
- Efficacy: **67.57lm/W**
- CRI: **90**

Notes

To obtain the same luminous flux in case of compositions with several Ripple of different sizes side by side, set the drivers as follows:

- Ripple 500 - 20W
- Ripple 700 - 29W
- Ripple 900 - 38W

DESCRIPTION

This suspension system shapes the qualities of space through molecular growth, combining light and sound absorption. Comprised of circular structures in three different diameters, it works through layers of performance that can be modulated as required.

The structures unveil "pure" light or can be enriched by a diffuser which, in addition to interacting with the light, offers sound absorption properties.

The basic element of the product is a circular ring whose profile is a synthesis of optics and mechanical engineering. Ripple elements can also be combined in increasingly complex customised solutions: from simple lines or geometries of elements with a constant diameter, to compositions that combine different diameters in a more organic and free growth, through to show-stopping, striking solutions.

Once again, Artemide's project with BIG is guided by a strong idea of interaction with spaces, an open, modular and scalable solution that combines technological innovation with compositional intelligence, translating all this into something apparently simple but striking and full of potential. This freedom of configuration is then mirrored by the flexibility in management granted by interaction with Artemide App.

FEATURES

- Product Code: **2062010A**
- Colour: **White**
- Installation: **Suspension**
- Material: **Heat-conducting moulded plastic**
- Series: **Design Collection**
- Environment: **Indoor**
- design by: **BIG - Bjarke Ingels Group**

DIMENSIONS

- Height: **30 mm**
- Diameter: **900 mm**
- Base Diameter: **205 mm**
- Max Height from ceiling: **1650 mm**

Accessories



Acoustic Diffuser Ø900mm - h400mm 2074020A



Acoustic Diffuser Ø900mm - h200mm 2074120A



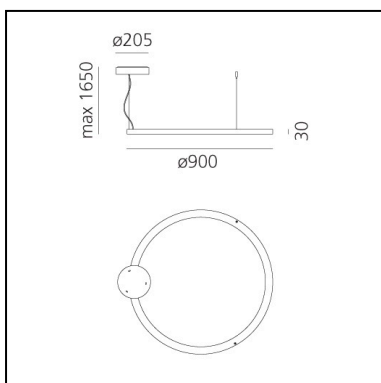
Acoustic Diffuser Ø900mm - h600mm 2074220A

Ripple - Ring Ø900 - APP Compatible

BIG - Bjarke Ingels Group



IP20   Dimmerable: 



LUMINAIRE

- Watt: **50W**
- Delivered lumen output: **3378lm**
- CCT: **3000K**
- Efficiency: **51%**
- Efficacy: **67.57lm/W**
- CRI: **90**

Notes

To obtain the same luminous flux in case of compositions with several Ripple of different sizes side by side, set the drivers as follows:

- Ripple 500 - 20W
- Ripple 700 - 29W
- Ripple 900 - 38W

DESCRIPTION

This suspension system shapes the qualities of space through molecular growth, combining light and sound absorption. Comprised of circular structures in three different diameters, it works through layers of performance that can be modulated as required.

The structures unveil "pure" light or can be enriched by a diffuser which, in addition to interacting with the light, offers sound absorption properties.

The basic element of the product is a circular ring whose profile is a synthesis of optics and mechanical engineering. Ripple elements can also be combined in increasingly complex customised solutions: from simple lines or geometries of elements with a constant diameter, to compositions that combine different diameters in a more organic and free growth, through to show-stopping, striking solutions.

Once again, Artemide's project with BIG is guided by a strong idea of interaction with spaces, an open, modular and scalable solution that combines technological innovation with compositional intelligence, translating all this into something apparently simple but striking and full of potential. This freedom of configuration is then mirrored by the flexibility in management granted by interaction with Artemide App.

FEATURES

- Product Code: **2062010APP**
- Colour: **White**
- Installation: **Suspension**
- Material: **Heat-conducting moulded plastic**
- Series: **Design Collection**
- Environment: **Indoor**
- design by: **BIG - Bjarke Ingels Group**

DIMENSIONS

- Height: **30 mm**
- Diameter: **900 mm**
- Base Diameter: **205 mm**
- Max Height from ceiling: **1650 mm**

Accessories



Device for switching and controlling Artemide App products. Max N.3 inputs for external push buttons. Max 1m distance. Mains power supply required. To be installed inside flush mounting boxes or junction boxes. DV1080APP



Acoustic Diffuser Ø900mm - h400mm 2074020A



Acoustic Diffuser Ø900mm - h200mm 2074120A



Acoustic Diffuser Ø900mm - h600mm 2074220A