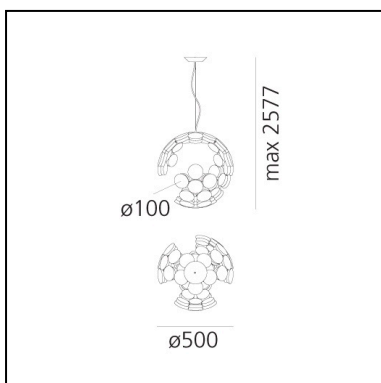


Scopas - App Compatible

Neil Poulton



IP20   Dimmerable: 



LUMINAIRE

- Watt: **80W**
- Delivered lumen output: **2826lm**
- CCT: **3000K**
- Efficiency: **44%**
- Efficacy: **35.33lm/W**
- CRI: **90**
- Dimmable Typology: **Push**

Accessories



Device for switching and controlling Artemide App products. Max N.3 inputs for external push buttons. Max 1m distance. Mains power supply required. To be installed inside flush mounting boxes or junction boxes. DV1080APP

DESCRIPTION

Created through the repetition of an elementary module, this suspension lamp consists of a sphere with an incomplete structure. Ever changing in its appearance, depending on the point it is viewed from, it radically breaks the mould of the pure and sometimes monotonous forms that normally characterise this kind of lamp. Like the Death Star of the Empire in Star Wars, immobile in space, its apparent incompleteness is contrasted with its technical efficiency.

FEATURES

- Product Code: **1529010APP**
- Colour: **Black and white**
- Installation: **Suspension**
- Material: **Aluminium, methacrylate, ABS**
- Series: **Design Collection**
- Environment: **Indoor**
- Area contract: **Retail**
- Emission: **Diffused**
- design by: **Neil Poulton**

DIMENSIONS

- Diameter: **500 mm**
- Glow Wire Test: **650°C**