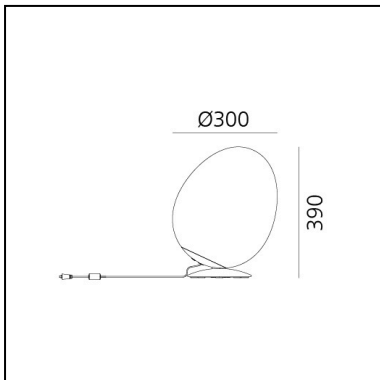


Stellar Nebula - Table

BIG - Bjarke Ingels Group



IP20   



LUMINAIRE

- Watt: **8W**
- Delivered lumen output: **650lm**
- CCT: **3000K**
- Efficiency: **82%**
- Efficacy: **81.25lm/W**
- CRI: **90**

DESCRIPTION

Stellar Nebula is a family of lamps designed by BIG to interpret and enhance the artisanal glass blowing with innovative PVD finishing techniques. Values, roles, and limits of industrial and artisanal production are at the core of this design idea, which aims to find a solution for uniqueness in production.

The shapes of the diffusers are achieved through glass blowing and then freely shaped by master glassmakers to always create unique pieces. Artisanal knowledge and industrial innovation come together in the beauty of the material that enhances the magical interaction between glass and light.

FEATURES

- Product Code: **0152320A**
- Colour: **Iridescent**
- Installation: **Table**
- Material: **Technopolymer base, aluminum lamp body, technopolymer reflector, blown plate-glass diffuser with dichroic treatment.**
- Series: **Design Collection**
- design by: **BIG - Bjarke Ingels Group**

DIMENSIONS

- Height: **390 mm**
- Diameter: **300 mm**