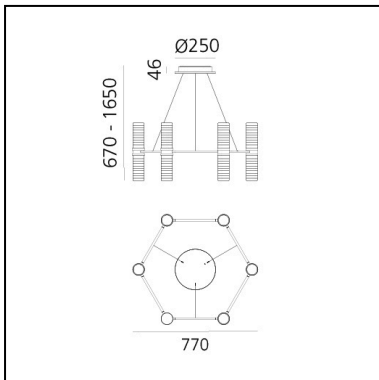


Zephyr R - Black

Carlo Colombo



IP20    Dimmerable: 



LUMINAIRE

- Watt: **55W**
- Delivered lumen output: **4093lm**
- CCT: **3000K**
- Efficiency: **54%**
- Efficacy: **74.42lm/W**
- CRI: **90**
- Dimmable Typology: **Push/DALI**

DESCRIPTION

Zephyr is a minimalist, elegant chandelier with a modular frame that enables infinite custom layouts to be designed to fit the needs of each project.

The modular element is a double cylindrical diffuser with a central body that encloses the light sources and, by means of two rings rotating on the same axis, defines the position of the neighbouring lighting bodies by positioning the connecting structural elements.

The diffuser is transparent glass hand-blown in a mould with a wavy edge shape whose vertexes are then ground to create a horizontal texture that alternates transparent and opaline diffusing stripes. This workmanship elegantly enriches the diffuser but above all creates a glare-free diffusion of light along the cylindrical body.

It is a contemporary interpretation of the traditional chandelier: the craftsmanship of the glass is combined with a simple shape and an optical flair to reinterpret glass processing technologies, not just through decorative pieces, but also as functional tools for controlling and distributing light.

FEATURES

- Product Code: **1781030A**
- Colour: **Black**
- Installation: **Suspension**
- Series: **Design Collection**
- design by: **Carlo Colombo**

DIMENSIONS

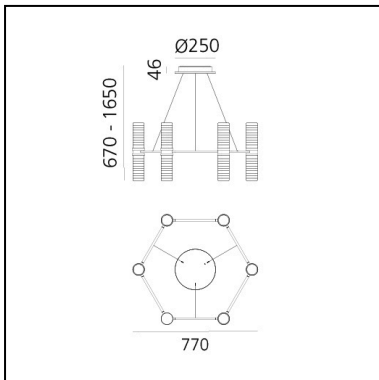
- Length: **770 mm**
- Max Height from ceiling: **1650 mm**

Zephyr R - Black - APP Compatible

Carlo Colombo



IP20    Dimmerable: 



LUMINAIRE

- Watt: **55W**
- Delivered lumen output: **4093lm**
- CCT: **3000K**
- Efficiency: **54%**
- Efficacy: **74.42lm/W**
- CRI: **90**
- Dimmable Typology: **Push & APP**

DESCRIPTION

Zephyr is a minimalist, elegant chandelier with a modular frame that enables infinite custom layouts to be designed to fit the needs of each project.

The modular element is a double cylindrical diffuser with a central body that encloses the light sources and, by means of two rings rotating on the same axis, defines the position of the neighbouring lighting bodies by positioning the connecting structural elements.

The diffuser is transparent glass hand-blown in a mould with a wavy edge shape whose vertexes are then ground to create a horizontal texture that alternates transparent and opaline diffusing stripes. This workmanship elegantly enriches the diffuser but above all creates a glare-free diffusion of light along the cylindrical body.

It is a contemporary interpretation of the traditional chandelier: the craftsmanship of the glass is combined with a simple shape and an optical flair to reinterpret glass processing technologies, not just through decorative pieces, but also as functional tools for controlling and distributing light.

FEATURES

- Product Code: **1781030APP**
- Colour: **Black**
- Installation: **Suspension**
- Series: **Design Collection**
- design by: **Carlo Colombo**

DIMENSIONS

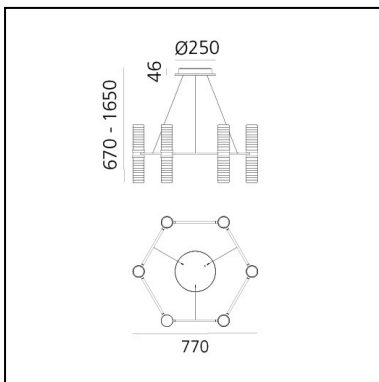
- Length: **770 mm**
- Max Height from ceiling: **1650 mm**

Zephyr R - Bronze

Carlo Colombo



IP20    Dimmerable: 



LUMINAIRE

- Watt: **55W**
- Delivered lumen output: **4093lm**
- CCT: **3000K**
- Efficiency: **54%**
- Efficacy: **74.42lm/W**
- CRI: **90**
- Dimmable Typology: **Push/DALI**

DESCRIPTION

Zephyr is a minimalist, elegant chandelier with a modular frame that enables infinite custom layouts to be designed to fit the needs of each project.

The modular element is a double cylindrical diffuser with a central body that encloses the light sources and, by means of two rings rotating on the same axis, defines the position of the neighbouring lighting bodies by positioning the connecting structural elements.

The diffuser is transparent glass hand-blown in a mould with a wavy edge shape whose vertexes are then ground to create a horizontal texture that alternates transparent and opaline diffusing stripes. This workmanship elegantly enriches the diffuser but above all creates a glare-free diffusion of light along the cylindrical body.

It is a contemporary interpretation of the traditional chandelier: the craftsmanship of the glass is combined with a simple shape and an optical flair to reinterpret glass processing technologies, not just through decorative pieces, but also as functional tools for controlling and distributing light.

FEATURES

- Product Code: **1781040A**
- Colour: **Bronze**
- Installation: **Suspension**
- Series: **Design Collection**
- design by: **Carlo Colombo**

DIMENSIONS

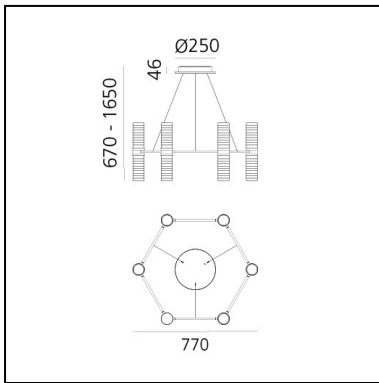
- Length: **770 mm**
- Max Height from ceiling: **1650 mm**

Zephyr R - Bronze - APP Compatible

Carlo Colombo



IP20    Dimmerable: 



LUMINAIRE

- Watt: **55W**
- Delivered lumen output: **4093lm**
- CCT: **3000K**
- Efficiency: **54%**
- Efficacy: **74.42lm/W**
- CRI: **90**
- Dimmable Typology: **Push & APP**

DESCRIPTION

Zephyr is a minimalist, elegant chandelier with a modular frame that enables infinite custom layouts to be designed to fit the needs of each project.

The modular element is a double cylindrical diffuser with a central body that encloses the light sources and, by means of two rings rotating on the same axis, defines the position of the neighbouring lighting bodies by positioning the connecting structural elements.

The diffuser is transparent glass hand-blown in a mould with a wavy edge shape whose vertexes are then ground to create a horizontal texture that alternates transparent and opaline diffusing stripes. This workmanship elegantly enriches the diffuser but above all creates a glare-free diffusion of light along the cylindrical body.

It is a contemporary interpretation of the traditional chandelier: the craftsmanship of the glass is combined with a simple shape and an optical flair to reinterpret glass processing technologies, not just through decorative pieces, but also as functional tools for controlling and distributing light.

FEATURES

- Product Code: **1781040APP**
- Colour: **Bronze**
- Installation: **Suspension**
- Series: **Design Collection**
- design by: **Carlo Colombo**

DIMENSIONS

- Length: **770 mm**
- Max Height from ceiling: **1650 mm**