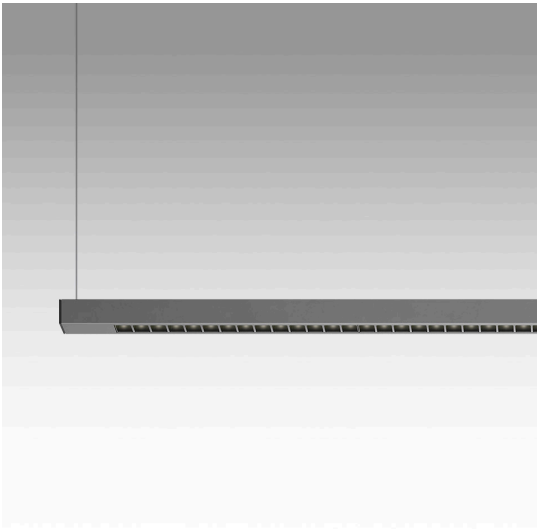


Turn Around Suspension - Direct + Indirect - 2700K - Dimmable DALI/Push

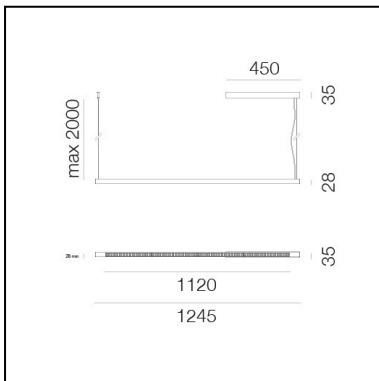
Carlotta de Bevilacqua



DESCRIPTION

Turn Around stand alone suspension shares the same design principles of Turn Around sy-stem starting from parameters of sustainability, reduction, lightness, integration, optoelectronic intelligence, application freedom and interaction. It also shares the same components of Turn Around floor, integrating in the minimal structure two different lighting performances. Turn Around stand alone combines a direct controlled emission to an indirect diffused emission mana-geable together. The high efficiency and the perfect control of the lighting emission make Turn Around stand alone an optimal solution for workplaces.

IP20   Dimmerable: 



FEATURES

- Product Code: **TF21022**
- Colour: **Titanium**
- Installation: **Suspension**
- Series: **Architectural Indoor, Novelties**
- design by: **Carlotta de Bevilacqua**

DIMENSIONS

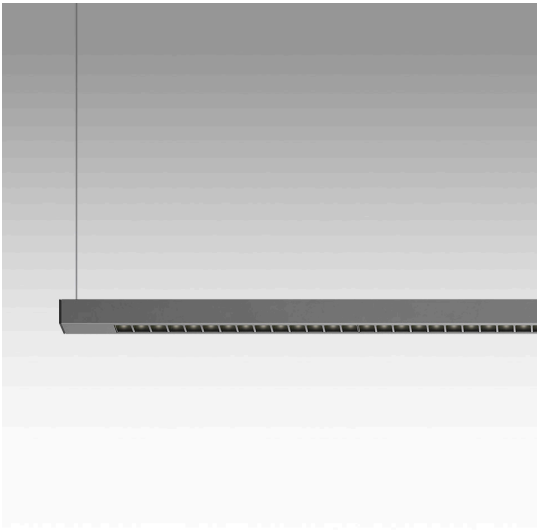
- Length: **1245 mm**
- Width: **35 mm**
- Height: **28 mm**
- Max Height from ceiling: **2000 mm**

LUMINAIRE

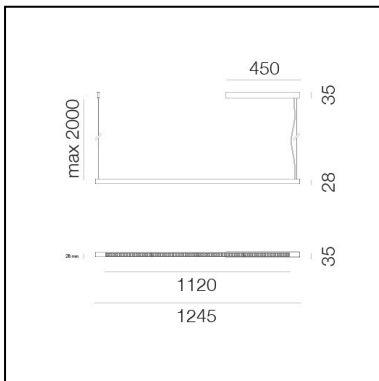
- Watt: **34W**
- Delivered lumen output: **4360lm**
- CCT: **2700K**
- CRI: **90**
- Dimmable Typology: **Push/DALI**

Turn Around Suspension - Direct + Indirect - 3000K - Dimmable DALI/Push

Carlotta de Bevilacqua



IP20   Dimmerable: 



LUMINAIRE

- Watt: **34W**
- Delivered lumen output: **4640lm**
- CCT: **3000K**
- CRI: **90**
- Dimmable Typology: **Push/DALI**

DESCRIPTION

Turn Around stand alone suspension shares the same design principles of Turn Around sy-stem starting from parameters of sustainability, reduction, lightness, integration, optoelectronic intelligence, application freedom and interaction. It also shares the same components of Turn Around floor, integrating in the minimal structure two different lighting performances. Turn Around stand alone combines a direct controlled emission to an indirect diffused emission mana-geable together. The high efficiency and the perfect control of the lighting emission make Turn Around stand alone an optimal solution for workplaces.

FEATURES

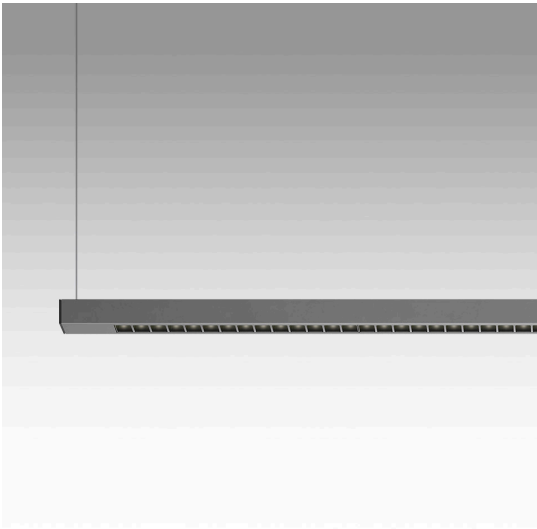
- Product Code: **TF22022**
- Colour: **Titanium**
- Installation: **Suspension**
- Series: **Architectural Indoor, Novelties**
- design by: **Carlotta de Bevilacqua**

DIMENSIONS

- Length: **1245 mm**
- Width: **35 mm**
- Height: **28 mm**
- Max Height from ceiling: **2000 mm**

Turn Around Suspension - Direct + Indirect - 4000K - Dimmable DALI/Push

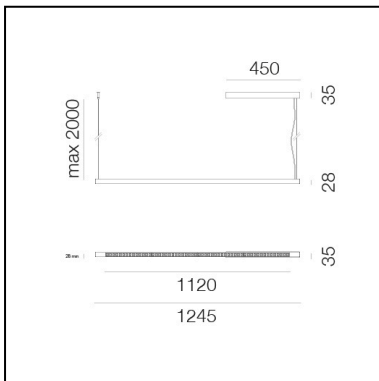
Carlotta de Bevilacqua



DESCRIPTION

Turn Around stand alone suspension shares the same design principles of Turn Around sy-stem starting from parameters of sustainability, reduction, lightness, integration, optoelectronic intelligence, application freedom and interaction. It also shares the same components of Turn Around floor, integrating in the minimal structure two different lighting performances. Turn Around stand alone combines a direct controlled emission to an indirect diffused emission mana-geable together. The high efficiency and the perfect control of the lighting emission make Turn Around stand alone an optimal solution for workplaces.

IP20   Dimmerable: 



FEATURES

- Product Code: **TF23022**
- Colour: **Titanium**
- Installation: **Suspension**
- Series: **Architectural Indoor, Novelties**
- design by: **Carlotta de Bevilacqua**

DIMENSIONS

- Length: **1245 mm**
- Width: **35 mm**
- Height: **28 mm**
- Max Height from ceiling: **2000 mm**

LUMINAIRE

- Watt: **34W**
- Delivered lumen output: **4640lm**
- CCT: **4000K**
- CRI: **90**
- Dimmable Typology: **Push/DALI**