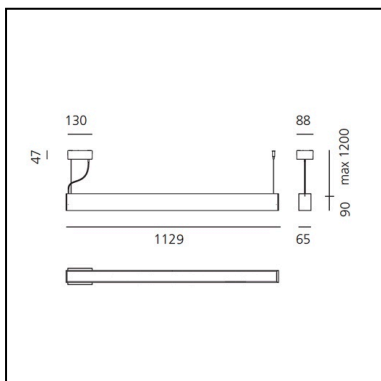


Smart Office Controlled Emission 1129mm 3000K DALI Black

Carlotta de Bevilacqua



IP20  Dimmerable: 



LUMINAIRE

- Watt: **37W**
- Delivered lumen output: **4389lm**
- CCT: **3000K**
- Efficiency: **76%**
- Efficacy: **118.61lm/W**
- CRI: **80**
- Dimmable Typology: **Dali**

DESCRIPTION

Smart Office is a suspension appliance designed for office premises to ensure excellent performance with utmost simplicity. While its look, characterized by a lamellar optical unit, recalls traditional fluorescent suspension appliances, its heart encloses an advanced LED technology. An innovative optical study produces a very uniform light, without multiple shades or spots and without glaring (UGR <19, luminance < 3000 cd/m² at 65°), yet ensuring a high yield. The light emitted by a LED strip is controlled by a mixing chamber before being emitted through a traditional lamellar optical unit.

FEATURES

- Product Code: **AG02504**
- Colour: **Black**
- Installation: **Suspension**
- Series: **Architectural Indoor**
- Environment: **Indoor**
- design by: **Carlotta de Bevilacqua**

DIMENSIONS

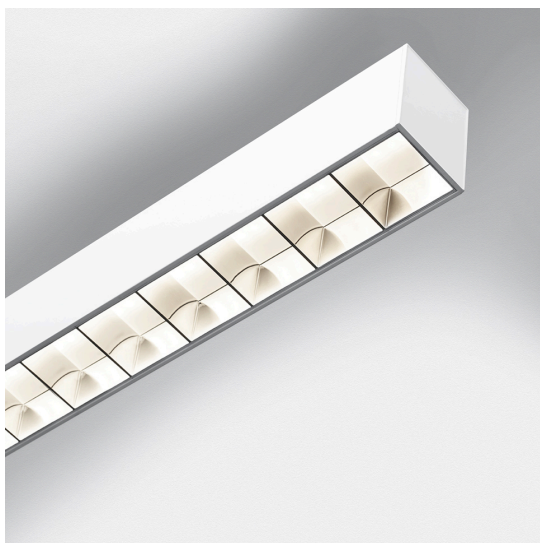
- Length: **1130 mm**
- Width: **65 mm**
- Height: **90 mm**
- Base Length: **130 mm**
- Base Width: **88 mm**
- Max Height from ceiling: **1200 mm**

SOURCES INCLUDED

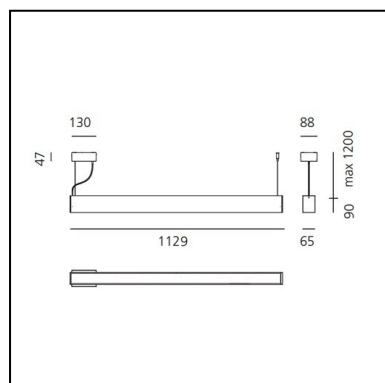
- Category: **Led**
- Number: **1**
- Watt: **37W**
- Color temperature (K): **3000K**

Smart Office Controlled Emission 1129mm 3000K DALI White

Carlotta de Bevilacqua



IP20  Dimmerable: 



LUMINAIRE

- Watt: **37W**
- Delivered lumen output: **4389lm**
- CCT: **3000K**
- Efficiency: **76%**
- Efficacy: **118.61lm/W**
- CRI: **80**
- Dimmable Typology: **Dali**

DESCRIPTION

Smart Office is a suspension appliance designed for office premises to ensure excellent performance with utmost simplicity. While its look, characterized by a lamellar optical unit, recalls traditional fluorescent suspension appliances, its heart encloses an advanced LED technology. An innovative optical study produces a very uniform light, without multiple shades or spots and without glaring (UGR <19, luminance < 3000 cd/m² at 65°), yet ensuring a high yield. The light emitted by a LED strip is controlled by a mixing chamber before being emitted through a traditional lamellar optical unit.

FEATURES

- Product Code: **AG02501**
- Colour: **White**
- Installation: **Suspension**
- Series: **Architectural Indoor**
- Environment: **Indoor**
- design by: **Carlotta de Bevilacqua**

DIMENSIONS

- Length: **1130 mm**
- Width: **65 mm**
- Height: **90 mm**
- Base Length: **130 mm**
- Base Width: **88 mm**
- Max Height from ceiling: **1200 mm**


SOURCES INCLUDED

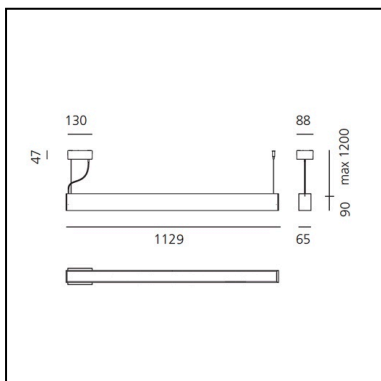
- Category: **Led**
- Number: **1**
- Watt: **37W**
- Color temperature (K): **3000K**

Smart Office Controlled Emission 1129mm 3000K Undimmable Black

Carlotta de Bevilacqua



IP20 



LUMINAIRE

- Watt: **37W**
- Delivered lumen output: **4389lm**
- CCT: **3000K**
- Efficiency: **76%**
- Efficacy: **118.61lm/W**
- CRI: **80**

DESCRIPTION

Smart Office is a suspension appliance designed for office premises to ensure excellent performance with utmost simplicity. While its look, characterized by a lamellar optical unit, recalls traditional fluorescent suspension appliances, its heart encloses an advanced LED technology. An innovative optical study produces a very uniform light, without multiple shades or spots and without glaring (UGR <19, luminance < 3000 cd/m² at 65°), yet ensuring a high yield. The light emitted by a LED strip is controlled by a mixing chamber before being emitted through a traditional lamellar optical unit.

FEATURES

- Product Code: **AG00004**
- Colour: **Black**
- Installation: **Suspension**
- Series: **Architectural Indoor**
- Environment: **Indoor**
- design by: **Carlotta de Bevilacqua**

DIMENSIONS

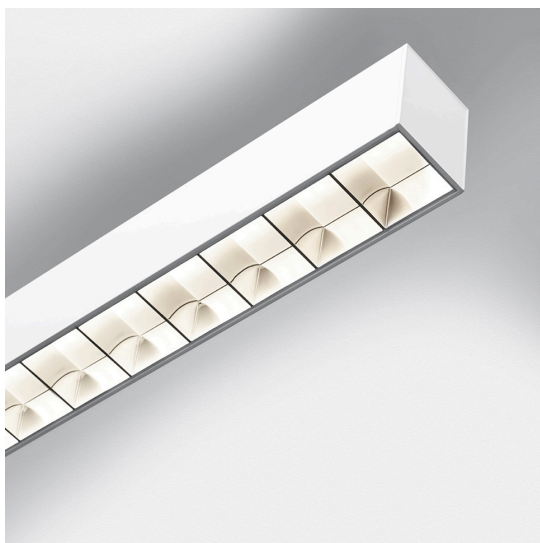
- Length: **1130 mm**
- Width: **65 mm**
- Height: **90 mm**
- Base Length: **130 mm**
- Base Width: **88 mm**
- Max Height from ceiling: **1200 mm**


SOURCES INCLUDED

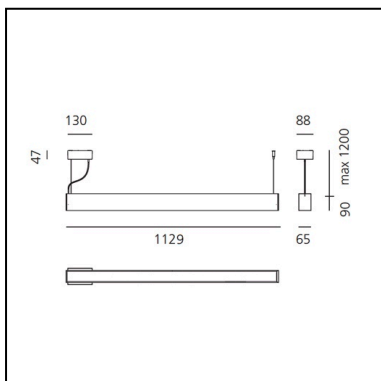
- Category: **Led**
- Number: **1**
- Watt: **37W**
- Color temperature (K): **3000K**

Smart Office Controlled Emission 1129mm 3000K Undimmable White

Carlotta de Bevilacqua



IP20 



LUMINAIRE

- Watt: **37W**
- Delivered lumen output: **4389lm**
- CCT: **3000K**
- Efficiency: **76%**
- Efficacy: **118.61lm/W**
- CRI: **80**

DESCRIPTION

Smart Office is a suspension appliance designed for office premises to ensure excellent performance with utmost simplicity. While its look, characterized by a lamellar optical unit, recalls traditional fluorescent suspension appliances, its heart encloses an advanced LED technology. An innovative optical study produces a very uniform light, without multiple shades or spots and without glaring (UGR <19, luminance < 3000 cd/m² at 65°), yet ensuring a high yield. The light emitted by a LED strip is controlled by a mixing chamber before being emitted through a traditional lamellar optical unit.

FEATURES

- Product Code: **AG00001**
- Colour: **White**
- Installation: **Suspension**
- Series: **Architectural Indoor**
- Environment: **Indoor**
- design by: **Carlotta de Bevilacqua**

DIMENSIONS

- Length: **1130 mm**
- Width: **65 mm**
- Height: **90 mm**
- Base Length: **130 mm**
- Base Width: **88 mm**
- Max Height from ceiling: **1200 mm**

SOURCES INCLUDED

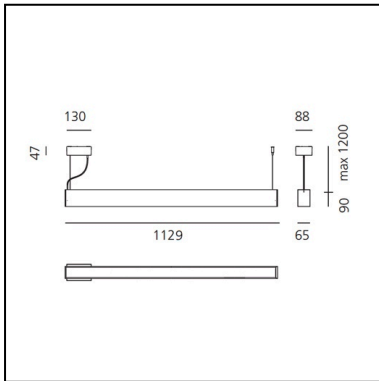
- Category: **Led**
- Number: **1**
- Watt: **37W**
- Color temperature (K): **3000K**

Smart Office Controlled Emission 1129mm 4000K DALI Black

Carlotta de Bevilacqua



IP20  Dimmerable: 



LUMINAIRE

- Watt: **37W**
- Delivered lumen output: **4564lm**
- CCT: **4000K**
- Efficiency: **76%**
- Efficacy: **123.35lm/W**
- CRI: **80**
- Dimmable Typology: **Dali**

DESCRIPTION

Smart Office is a suspension appliance designed for office premises to ensure excellent performance with utmost simplicity. While its look, characterized by a lamellar optical unit, recalls traditional fluorescent suspension appliances, its heart encloses an advanced LED technology. An innovative optical study produces a very uniform light, without multiple shades or spots and without glaring (UGR <19, luminance < 3000 cd/m² at 65°), yet ensuring a high yield. The light emitted by a LED strip is controlled by a mixing chamber before being emitted through a traditional lamellar optical unit.

FEATURES

- Product Code: **AG02604**
- Colour: **Black**
- Installation: **Suspension**
- Series: **Architectural Indoor**
- Environment: **Indoor**
- design by: **Carlotta de Bevilacqua**

DIMENSIONS

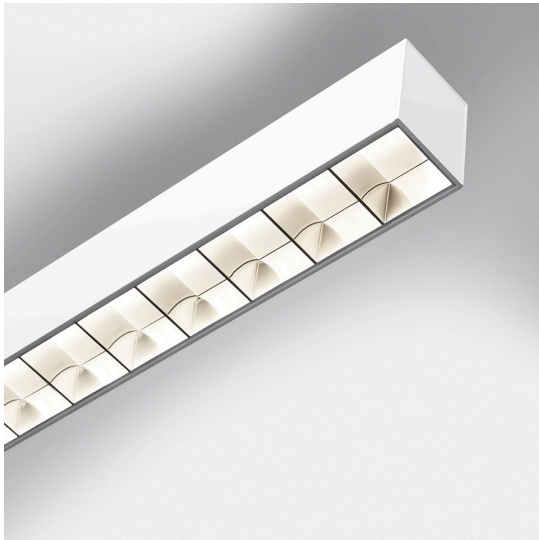
- Length: **1130 mm**
- Width: **65 mm**
- Height: **90 mm**
- Base Length: **130 mm**
- Base Width: **88 mm**
- Max Height from ceiling: **1200 mm**

SOURCES INCLUDED

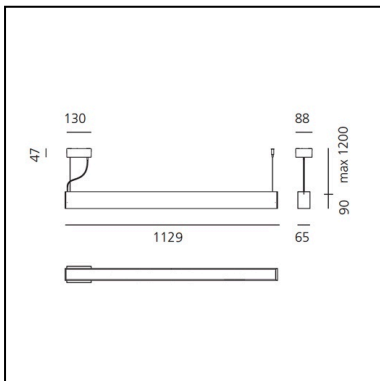
- Category: **Led**
- Number: **1**
- Watt: **37W**
- Color temperature (K): **3000K**

Smart Office Controlled Emission 1129mm 4000K DALI White

Carlotta de Bevilacqua



IP20  Dimmerable: 



LUMINAIRE

- Watt: **37W**
- Delivered lumen output: **4564lm**
- CCT: **4000K**
- Efficiency: **76%**
- Efficacy: **123.35lm/W**
- CRI: **80**
- Dimmable Typology: **Dali**

DESCRIPTION

Smart Office is a suspension appliance designed for office premises to ensure excellent performance with utmost simplicity. While its look, characterized by a lamellar optical unit, recalls traditional fluorescent suspension appliances, its heart encloses an advanced LED technology. An innovative optical study produces a very uniform light, without multiple shades or spots and without glaring (UGR <19, luminance < 3000 cd/m² at 65°), yet ensuring a high yield. The light emitted by a LED strip is controlled by a mixing chamber before being emitted through a traditional lamellar optical unit.

FEATURES

- Product Code: **AG02601**
- Colour: **White**
- Installation: **Suspension**
- Series: **Architectural Indoor**
- Environment: **Indoor**
- design by: **Carlotta de Bevilacqua**

DIMENSIONS

- Length: **1130 mm**
- Width: **65 mm**
- Height: **90 mm**
- Base Length: **130 mm**
- Base Width: **88 mm**
- Max Height from ceiling: **1200 mm**


SOURCES INCLUDED

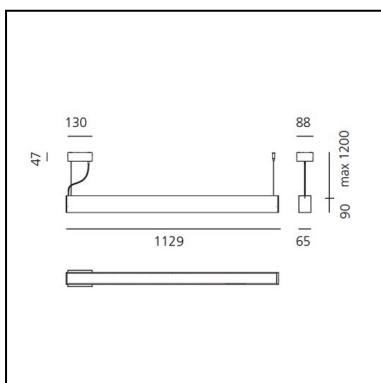
- Category: **Led**
- Number: **1**
- Watt: **37W**
- Color temperature (K): **4000K**

Smart Office Controlled Emission 1129mm 4000K Undimmable Black

Carlotta de Bevilacqua



IP20 



LUMINAIRE

- Watt: **37W**
- Delivered lumen output: **4564lm**
- CCT: **4000K**
- Efficiency: **76%**
- Efficacy: **123.35lm/W**
- CRI: **80**

DESCRIPTION

Smart Office is a suspension appliance designed for office premises to ensure excellent performance with utmost simplicity. While its look, characterized by a lamellar optical unit, recalls traditional fluorescent suspension appliances, its heart encloses an advanced LED technology. An innovative optical study produces a very uniform light, without multiple shades or spots and without glaring (UGR <19, luminance < 3000 cd/m² at 65°), yet ensuring a high yield. The light emitted by a LED strip is controlled by a mixing chamber before being emitted through a traditional lamellar optical unit.

FEATURES

- Product Code: **AG00104**
- Colour: **Black**
- Installation: **Suspension**
- Series: **Architectural Indoor**
- Environment: **Indoor**
- design by: **Carlotta de Bevilacqua**

DIMENSIONS

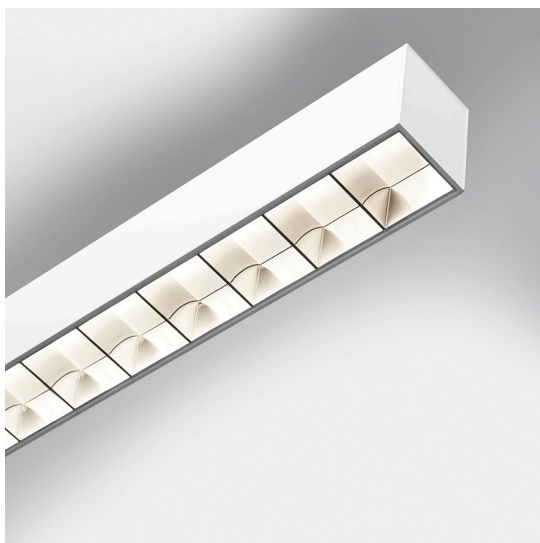
- Length: **1130 mm**
- Width: **65 mm**
- Height: **90 mm**
- Base Length: **130 mm**
- Base Width: **88 mm**
- Max Height from ceiling: **1200 mm**


SOURCES INCLUDED

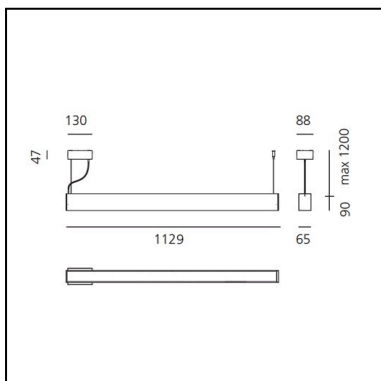
- Category: **Led**
- Number: **1**
- Watt: **37W**
- Color temperature (K): **3000K**

Smart Office Controlled Emission 1129mm 4000K Undimmable White

Carlotta de Bevilacqua



IP20 



LUMINAIRE

- Watt: **37W**
- Delivered lumen output: **4564lm**
- CCT: **4000K**
- Efficiency: **76%**
- Efficacy: **123.35lm/W**
- CRI: **80**

DESCRIPTION

Smart Office is a suspension appliance designed for office premises to ensure excellent performance with utmost simplicity. While its look, characterized by a lamellar optical unit, recalls traditional fluorescent suspension appliances, its heart encloses an advanced LED technology. An innovative optical study produces a very uniform light, without multiple shades or spots and without glaring (UGR <19, luminance < 3000 cd/m² at 65°), yet ensuring a high yield. The light emitted by a LED strip is controlled by a mixing chamber before being emitted through a traditional lamellar optical unit.

FEATURES

- Product Code: **AG00101**
- Colour: **White**
- Installation: **Suspension**
- Series: **Architectural Indoor**
- Environment: **Indoor**
- design by: **Carlotta de Bevilacqua**

DIMENSIONS

- Length: **1130 mm**
- Width: **65 mm**
- Height: **90 mm**
- Base Length: **130 mm**
- Base Width: **88 mm**
- Max Height from ceiling: **1200 mm**

SOURCES INCLUDED

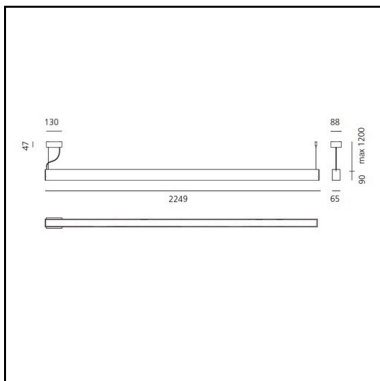
- Category: **Led**
- Number: **1**
- Watt: **37W**
- Color temperature (K): **4000K**

Smart Office Controlled Emission 2249mm 3000K DALI Black

Carlotta de Bevilacqua



IP20  Dimmerable: 



LUMINAIRE

- Watt: **76W**
- Delivered lumen output: **9286lm**
- CCT: **3000K**
- Efficiency: **76%**
- Efficacy: **122.19lm/W**
- CRI: **80**
- Dimmable Typology: **Dali**

DESCRIPTION

Smart Office is a suspension appliance designed for office premises to ensure excellent performance with utmost simplicity. While its look, characterized by a lamellar optical unit, recalls traditional fluorescent suspension appliances, its heart encloses an advanced LED technology. An innovative optical study produces a very uniform light, without multiple shades or spots and without glaring (UGR <19, luminance < 3000 cd/m² at 65°), yet ensuring a high yield. The light emitted by a LED strip is controlled by a mixing chamber before being emitted through a traditional lamellar optical unit.

FEATURES

- Product Code: **AG07504**
- Colour: **Black**
- Installation: **Suspension**
- Series: **Architectural Indoor**
- Environment: **Indoor**
- design by: **Carlotta de Bevilacqua**

DIMENSIONS

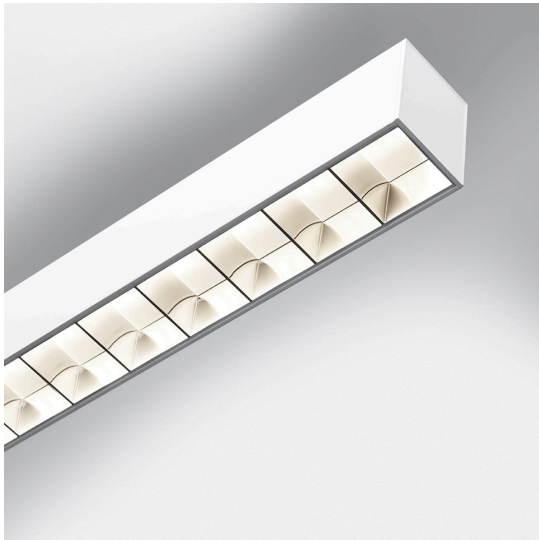
- Length: **2250 mm**
- Width: **65 mm**
- Height: **90 mm**
- Base Length: **130 mm**
- Base Width: **88 mm**
- Max Height from ceiling: **1200 mm**

SOURCES INCLUDED

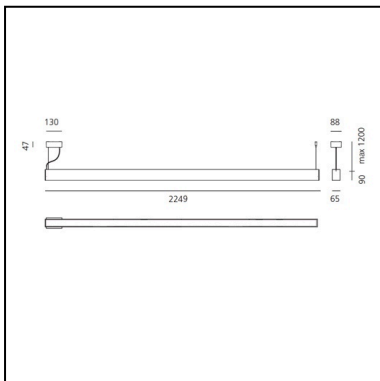
- Category: **Led**
- Number: **1**
- Watt: **81W**
- Color temperature (K): **3000K**

Smart Office Controlled Emission 2249mm 3000K DALI White

Carlotta de Bevilacqua



IP20  Dimmerable: 



LUMINAIRE

- Watt: **76W**
- Delivered lumen output: **9286lm**
- CCT: **3000K**
- Efficiency: **76%**
- Efficacy: **122.19lm/W**
- CRI: **80**
- Dimmable Typology: **Dali**

DESCRIPTION

Smart Office is a suspension appliance designed for office premises to ensure excellent performance with utmost simplicity. While its look, characterized by a lamellar optical unit, recalls traditional fluorescent suspension appliances, its heart encloses an advanced LED technology. An innovative optical study produces a very uniform light, without multiple shades or spots and without glaring (UGR <19, luminance < 3000 cd/m² at 65°), yet ensuring a high yield. The light emitted by a LED strip is controlled by a mixing chamber before being emitted through a traditional lamellar optical unit.

FEATURES

- Product Code: **AG07501**
- Colour: **White**
- Installation: **Suspension**
- Series: **Architectural Indoor**
- Environment: **Indoor**
- design by: **Carlotta de Bevilacqua**

DIMENSIONS

- Length: **2250 mm**
- Width: **65 mm**
- Height: **90 mm**
- Base Length: **130 mm**
- Base Width: **88 mm**
- Max Height from ceiling: **1200 mm**


SOURCES INCLUDED

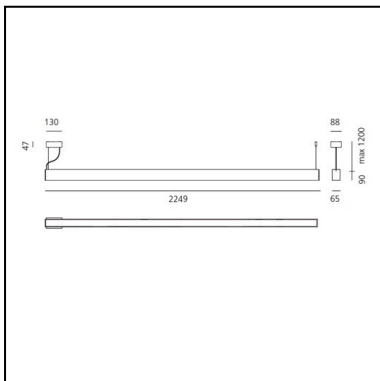
- Category: **Led**
- Number: **1**
- Watt: **81W**
- Color temperature (K): **3000K**

Smart Office Controlled Emission 2249mm 3000K Undimmable Black

Carlotta de Bevilacqua



IP20 



LUMINAIRE

- Watt: **81W**
- Delivered lumen output: **9286lm**
- CCT: **3000K**
- Efficiency: **76%**
- Efficacy: **114.64lm/W**
- CRI: **80**

DESCRIPTION

Smart Office is a suspension appliance designed for office premises to ensure excellent performance with utmost simplicity. While its look, characterized by a lamellar optical unit, recalls traditional fluorescent suspension appliances, its heart encloses an advanced LED technology. An innovative optical study produces a very uniform light, without multiple shades or spots and without glaring (UGR <19, luminance < 3000 cd/m² at 65°), yet ensuring a high yield. The light emitted by a LED strip is controlled by a mixing chamber before being emitted through a traditional lamellar optical unit.

FEATURES

- Product Code: **AG05004**
- Colour: **Black**
- Installation: **Suspension**
- Series: **Architectural Indoor**
- Environment: **Indoor**
- design by: **Carlotta de Bevilacqua**

DIMENSIONS

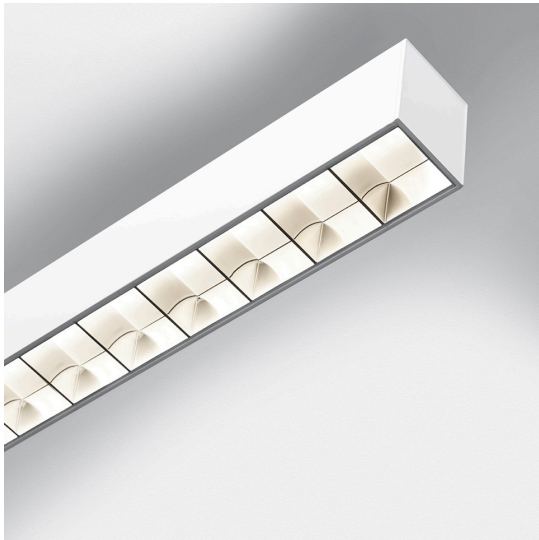
- Length: **2250 mm**
- Width: **65 mm**
- Height: **90 mm**
- Base Length: **130 mm**
- Base Width: **88 mm**
- Max Height from ceiling: **1200 mm**


SOURCES INCLUDED

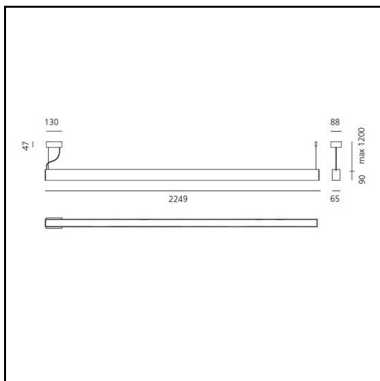
- Category: **Led**
- Number: **1**
- Watt: **81W**
- Color temperature (K): **3000K**

Smart Office Controlled Emission 2249mm 3000K Undimmable White

Carlotta de Bevilacqua



IP20 



LUMINAIRE

- Watt: **81W**
- Delivered lumen output: **9286lm**
- CCT: **3000K**
- Efficiency: **76%**
- Efficacy: **114.64lm/W**
- CRI: **80**

DESCRIPTION

Smart Office is a suspension appliance designed for office premises to ensure excellent performance with utmost simplicity. While its look, characterized by a lamellar optical unit, recalls traditional fluorescent suspension appliances, its heart encloses an advanced LED technology. An innovative optical study produces a very uniform light, without multiple shades or spots and without glaring (UGR <19, luminance < 3000 cd/m² at 65°), yet ensuring a high yield. The light emitted by a LED strip is controlled by a mixing chamber before being emitted through a traditional lamellar optical unit.

FEATURES

- Product Code: **AG05001**
- Colour: **White**
- Installation: **Suspension**
- Series: **Architectural Indoor**
- Environment: **Indoor**
- design by: **Carlotta de Bevilacqua**

DIMENSIONS

- Length: **2250 mm**
- Width: **65 mm**
- Height: **90 mm**
- Base Length: **130 mm**
- Base Width: **88 mm**
- Max Height from ceiling: **1200 mm**

SOURCES INCLUDED

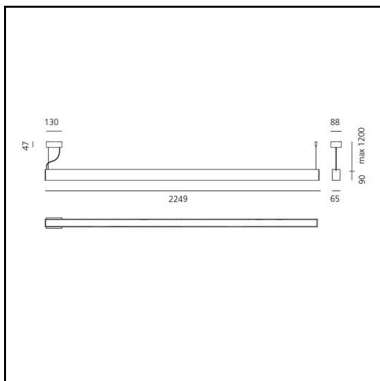
- Category: **Led**
- Number: **1**
- Watt: **81W**
- Color temperature (K): **3000K**

Smart Office Controlled Emission 2249mm 4000K DALI Black

Carlotta de Bevilacqua



IP20  Dimmerable: 



LUMINAIRE

- Watt: **76W**
- Delivered lumen output: **9128lm**
- CCT: **4000K**
- Efficiency: **76%**
- Efficacy: **120.11lm/W**
- CRI: **80**
- Dimmable Typology: **Dali**

DESCRIPTION

Smart Office is a suspension appliance designed for office premises to ensure excellent performance with utmost simplicity. While its look, characterized by a lamellar optical unit, recalls traditional fluorescent suspension appliances, its heart encloses an advanced LED technology. An innovative optical study produces a very uniform light, without multiple shades or spots and without glaring (UGR <19, luminance < 3000 cd/m² at 65°), yet ensuring a high yield. The light emitted by a LED strip is controlled by a mixing chamber before being emitted through a traditional lamellar optical unit.

FEATURES

- Product Code: **AG07604**
- Colour: **Black**
- Installation: **Suspension**
- Series: **Architectural Indoor**
- Environment: **Indoor**
- design by: **Carlotta de Bevilacqua**

DIMENSIONS

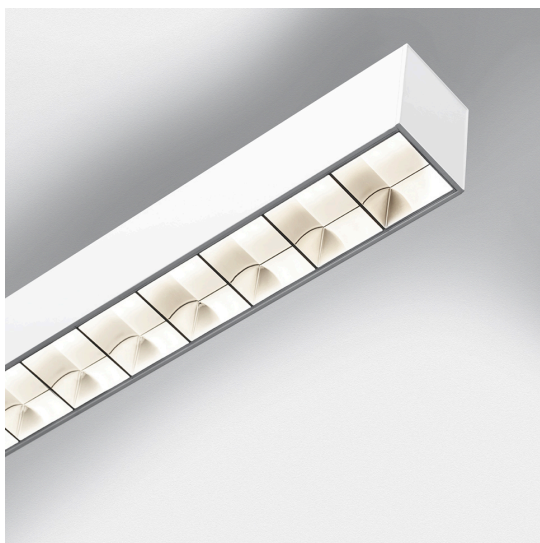
- Length: **2250 mm**
- Width: **65 mm**
- Height: **90 mm**
- Base Length: **130 mm**
- Base Width: **88 mm**
- Max Height from ceiling: **1200 mm**

SOURCES INCLUDED

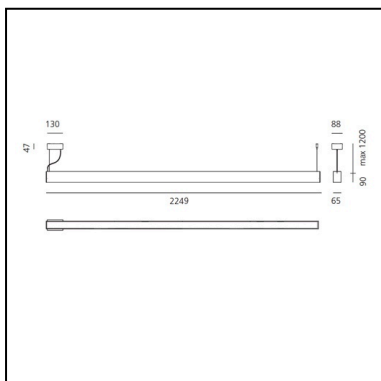
- Category: **Led**
- Number: **1**
- Watt: **81W**
- Color temperature (K): **4000K**

Smart Office Controlled Emission 2249mm 4000K DALI White

Carlotta de Bevilacqua



IP20  Dimmerable: 



LUMINAIRE

- Watt: **76W**
- Delivered lumen output: **9128lm**
- CCT: **4000K**
- Efficiency: **76%**
- Efficacy: **120.11lm/W**
- CRI: **80**
- Dimmable Typology: **Dali**

DESCRIPTION

Smart Office is a suspension appliance designed for office premises to ensure excellent performance with utmost simplicity. While its look, characterized by a lamellar optical unit, recalls traditional fluorescent suspension appliances, its heart encloses an advanced LED technology. An innovative optical study produces a very uniform light, without multiple shades or spots and without glaring (UGR <19, luminance < 3000 cd/m² at 65°), yet ensuring a high yield. The light emitted by a LED strip is controlled by a mixing chamber before being emitted through a traditional lamellar optical unit.

FEATURES

- Product Code: **AG07601**
- Colour: **White**
- Installation: **Suspension**
- Series: **Architectural Indoor**
- Environment: **Indoor**
- design by: **Carlotta de Bevilacqua**

DIMENSIONS

- Length: **2250 mm**
- Width: **65 mm**
- Height: **90 mm**
- Base Length: **130 mm**
- Base Width: **88 mm**
- Max Height from ceiling: **1200 mm**


SOURCES INCLUDED

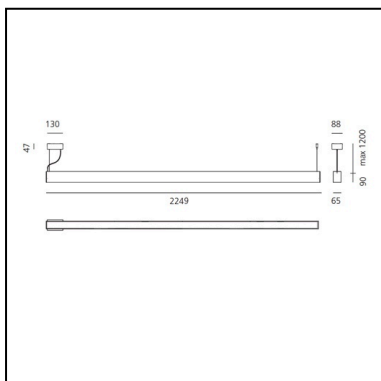
- Category: **Led**
- Number: **1**
- Watt: **81W**
- Color temperature (K): **4000K**

Smart Office Controlled Emission 2249mm 4000K Undimmable Black

Carlotta de Bevilacqua



IP20 



LUMINAIRE

- Watt: **81W**
- Delivered lumen output: **9128lm**
- CCT: **4000K**
- Efficiency: **76%**
- Efficacy: **112.69lm/W**
- CRI: **80**

DESCRIPTION

Smart Office is a suspension appliance designed for office premises to ensure excellent performance with utmost simplicity. While its look, characterized by a lamellar optical unit, recalls traditional fluorescent suspension appliances, its heart encloses an advanced LED technology. An innovative optical study produces a very uniform light, without multiple shades or spots and without glaring (UGR <19, luminance < 3000 cd/m² at 65°), yet ensuring a high yield. The light emitted by a LED strip is controlled by a mixing chamber before being emitted through a traditional lamellar optical unit.

FEATURES

- Product Code: **AG05104**
- Colour: **Black**
- Installation: **Suspension**
- Series: **Architectural Indoor**
- Environment: **Indoor**
- design by: **Carlotta de Bevilacqua**

DIMENSIONS

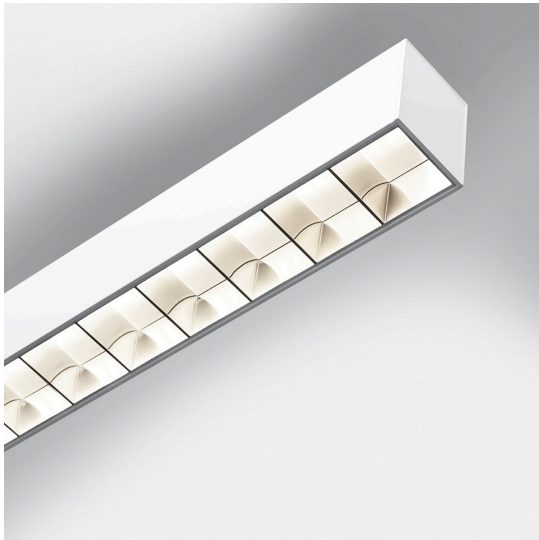
- Length: **2250 mm**
- Width: **65 mm**
- Height: **90 mm**
- Base Length: **130 mm**
- Base Width: **88 mm**
- Max Height from ceiling: **1200 mm**


SOURCES INCLUDED

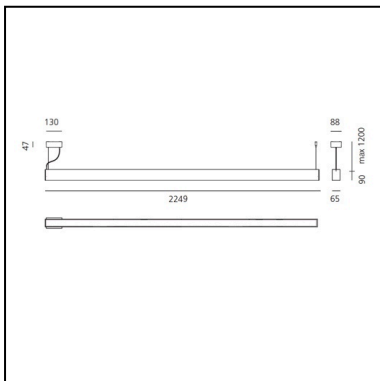
- Category: **Led**
- Number: **1**
- Watt: **81W**
- Color temperature (K): **4000K**

Smart Office Controlled Emission 2249mm 4000K Undimmable White

Carlotta de Bevilacqua



IP20 



LUMINAIRE

- Watt: **81W**
- Delivered lumen output: **9128lm**
- CCT: **4000K**
- Efficiency: **76%**
- Efficacy: **112.69lm/W**
- CRI: **80**

DESCRIPTION

Smart Office is a suspension appliance designed for office premises to ensure excellent performance with utmost simplicity. While its look, characterized by a lamellar optical unit, recalls traditional fluorescent suspension appliances, its heart encloses an advanced LED technology. An innovative optical study produces a very uniform light, without multiple shades or spots and without glaring (UGR <19, luminance < 3000 cd/m² at 65°), yet ensuring a high yield. The light emitted by a LED strip is controlled by a mixing chamber before being emitted through a traditional lamellar optical unit.

FEATURES

- Product Code: **AG05101**
- Colour: **White**
- Installation: **Suspension**
- Series: **Architectural Indoor**
- Environment: **Indoor**
- design by: **Carlotta de Bevilacqua**

DIMENSIONS

- Length: **2250 mm**
- Width: **65 mm**
- Height: **90 mm**
- Base Length: **130 mm**
- Base Width: **88 mm**
- Max Height from ceiling: **1200 mm**

SOURCES INCLUDED

- Category: **Led**
- Number: **1**
- Watt: **81W**
- Color temperature (K): **4000K**