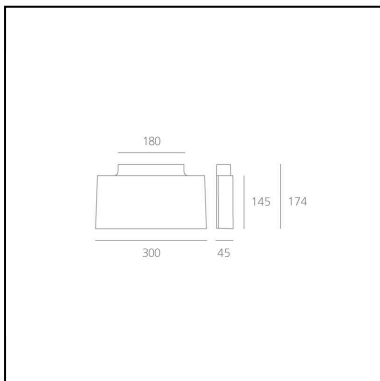


Surf Wall 300 - Dali SwitchDim - LED 3000K - White

Neil Poulton



IP20    Dimmerable: 



LUMINAIRE

- Power Supply: **Electronic**
- Watt: **40W**
- Voltage: **220V-240V**
- Delivered lumen output: **3638lm**
- CCT: **3000K**
- Efficiency: **85%**
- Efficacy: **90.95lm/W**
- CRI: **90**
- Dimmable Typology: **Dali**

DESCRIPTION

High-performing LED wall-mounted light fitting. More than 3,400 lm flux installed.

High efficiency: more than 70 lumen per watt. Available in warm white (3000K) and neutral white (4000K) – CRI=90 (typ). Materials: body in white or grey painted aluminium.

FEATURES

- Product Code: **M060121**
- Colour: **White**
- Material: **Painted Aluminium**
- Series: **Architectural Indoor**
- Environment: **Indoor**
- Area contract: **Hospitality, null, Office, Residential**
- Emission: **Indirect**
- design by: **Neil Poulton**

DIMENSIONS

- Length: **300 mm**
- Width: **174 mm**
- Height: **45 mm**
- Weight: **kg 1.4**
- Glow Wire Test: **960°**

SOURCES INCLUDED

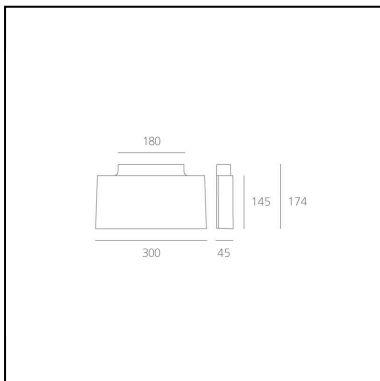
- Category: **Led**
- Number: **1**
- Watt: **36W**
- Color Tolerance: **MacAdam 1SDCM**
- Service Life: **L70(10k)=55000h**

Surf Wall 300 - Dali SwitchDim - LED 4000K - White

Neil Poulton



IP20    Dimmerable: 



LUMINAIRE

- Power Supply: **Electronic**
- Watt: **40W**
- Voltage: **220V-240V**
- Delivered lumen output: **3893lm**
- CCT: **4000K**
- Efficiency: **85%**
- Efficacy: **97.33lm/W**
- CRI: **90**
- Dimmable Typology: **Dali**

DESCRIPTION

High-performing LED wall-mounted light fitting. More than 3,400 lm flux installed.

High efficiency: more than 70 lumen per watt. Available in warm white (3000K) and neutral white (4000K) – CRI=90 (typ). Materials: body in white or grey painted aluminium.

FEATURES

- Product Code: **M060221**
- Colour: **White**
- Material: **Painted Aluminium**
- Series: **Architectural Indoor**
- Environment: **Indoor**
- Area contract: **Hospitality, null, Office, Residential**
- Emission: **Indirect**
- design by: **Neil Poulton**

DIMENSIONS

- Length: **300 mm**
- Width: **174 mm**
- Height: **45 mm**
- Weight: **kg 1.4**
- Glow Wire Test: **960°**

SOURCES INCLUDED

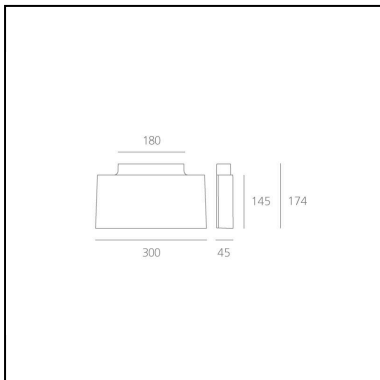
- Category: **Led**
- Number: **1**
- Watt: **36W**
- Color Tolerance: **MacAdam 1SDCM**
- Service Life: **L70(10k)=55000h**

Surf Wall 300 - LED 3000K - White

Neil Poulton



IP20   



LUMINAIRE

- Power Supply: **Electronic**
- Watt: **40W**
- Voltage: **220V-240V**
- Delivered lumen output: **3638lm**
- CCT: **3000K**
- Efficiency: **85%**
- Efficacy: **90.95lm/W**
- CRI: **90**

DESCRIPTION

High-performing LED wall-mounted light fitting. More than 3,400 lm flux installed.

High efficiency: more than 70 lumen per watt. Available in warm white (3000K) and neutral white (4000K) – CRI=90 (typ). Materials: body in white or grey painted aluminium.

FEATURES

- Product Code: **M060120**
- Colour: **White**
- Material: **Painted Aluminium**
- Series: **Architectural Indoor**
- Environment: **Indoor**
- Area contract: **Hospitality, null, Office, Residential**
- Emission: **Indirect**
- design by: **Neil Poulton**

DIMENSIONS

- Length: **300 mm**
- Width: **174 mm**
- Height: **45 mm**
- Weight: **kg 1.4**
- Glow Wire Test: **960°**

SOURCES INCLUDED

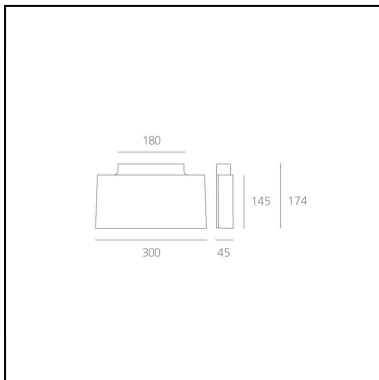
- Category: **Led**
- Number: **1**
- Watt: **36W**
- Color Tolerance: **MacAdam 1SDCM**
- Service Life: **L70(10k)=55000h**

Surf Wall 300 - LED 4000K - White

Neil Poulton



IP20   



LUMINAIRE

- Power Supply: **Electronic**
- Watt: **40W**
- Voltage: **220V-240V**
- Delivered lumen output: **3893lm**
- CCT: **4000K**
- Efficiency: **85%**
- Efficacy: **97.33lm/W**
- CRI: **90**

DESCRIPTION

High-performing LED wall-mounted light fitting. More than 3,400 lm flux installed.

High efficiency: more than 70 lumen per watt. Available in warm white (3000K) and neutral white (4000K) – CRI=90 (typ). Materials: body in white or grey painted aluminium.

FEATURES

- Product Code: **M060220**
- Colour: **White**
- Material: **Painted Aluminium**
- Series: **Architectural Indoor**
- Environment: **Indoor**
- Area contract: **Hospitality, null, Office, Residential**
- Emission: **Indirect**
- design by: **Neil Poulton**

DIMENSIONS

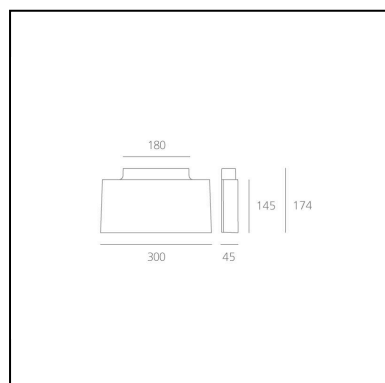
- Length: **300 mm**
- Width: **174 mm**
- Height: **45 mm**
- Weight: **kg 1.4**
- Glow Wire Test: **960°**

SOURCES INCLUDED

- Category: **Led**
- Number: **1**
- Watt: **36W**
- Color Tolerance: **MacAdam 1SDCM**
- Service Life: **L70(10k)=55000h**

Surf Wall 300 - LED retrofit (R7s) - White

Neil Poulton



LUMINAIRE *

- Power Supply: **Electronic**
- Watt: **300W**
- Voltage: **220V-240V**
- Delivered lumen output: **3383lm**
- CCT: **2900K**
- Efficiency: **64%**
- Efficacy: **11.28lm/W**

CR **100**
* CR (CRI) data may vary depending on the source installed. Light measurements are provided in relative form and technical lighting calculations may be updated according to the effective source used.

DESCRIPTION

A range of wall lamps with indirect lighting, using halogen, metal-halide and TC-LEL fluorescent lamps. Aluminium body with white or grey paint finish. 3 size options: 174x300mm, 290x460mm and 290x600mm. Electronic ballast. Protective glass (for halogen and metal-halide versions) or polycarbonate dust-protection screen (for 2x TC-LEL versions). Complies with standard EN60598-1 and other specific standards.

FEATURES

- Product Code: **M060955**
- Colour: **White**
- Installation: **Wall**
- Material: **Painted Aluminium**
- Series: **Architectural Indoor**
- Environment: **Indoor**
- Area contract: **Hospitality, null, Office, Residential**
- Emission: **Indirect**
- design by: **Neil Poulton**

DIMENSIONS

- Length: **300 mm**
- Width: **174 mm**
- Height: **45 mm**
- Weight: **kg 1**
- Glow Wire Test: **960°**

SOURCES NOT INCLUDED

- Category: **LED RETROFIT**
- Number: **1**
- Socket: **R7s**