

# Calumet 8 wall 2x7,8° 3000K

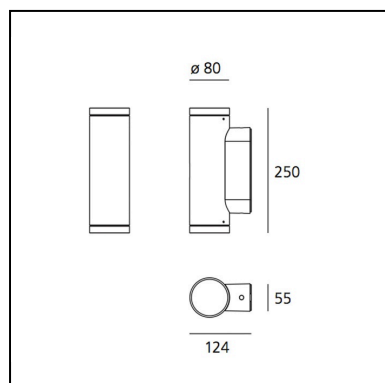
Ernesto Gismondi



## DESCRIPTION

Lighting system with single or double emission, with high-performance LED light sources combined with lenses which optimize the light emitting efficiency of the beams and determine their spread. Available in two sizes:  $\varnothing 8$  e  $\varnothing 13$  cm. Ceiling and wall installation. Available in two finishes: light grey and painted anthracite grey painted.

IP65 



## LUMINAIRE

- Watt: **7,5W**
- Voltage: **220V-240V**
- Delivered lumen output: **369lm**
- CCT: **3000K**
- Efficiency: **82%**
- Efficacy: **52.71lm/W**
- CRI: **80**

## FEATURES

- Product Code: **T41922NW00**
- Colour: **white/grey**
- Installation: **Wall**
- Material: **Aluminum, tempered glass, methacrylate**
- Series: **Architectural Outdoor**
- design by: **Ernesto Gismondi**

## DIMENSIONS

- Length: **124 mm**
- Width: **55 mm**
- Height: **250 mm**
- Diameter: **80 mm**
- Impact Resistance: **06**

## SOURCES INCLUDED

- Category: **Led**
- Number: **2**
- Watt: **4W**
- Delivered lumen output: **184lm**
- Color temperature (K): **3000K**
- CRI: **80 typ**


# Calumet 8 wall 2x7,8° 3000K

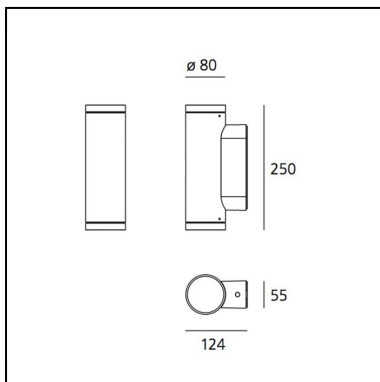
Ernesto Gismondi



## DESCRIPTION

Lighting system with single or double emission, with high-performance LED light sources combined with lenses which optimize the light emitting efficiency of the beams and determine their spread. Available in two sizes:  $\varnothing$  8 e  $\varnothing$  13 cm. Ceiling and wall installation. Available in two finishes: light grey and painted anthracite grey painted.

IP65 



## LUMINAIRE

- Watt: **7,5W**
- Voltage: **220V-240V**
- Delivered lumen output: **369lm**
- CCT: **3000K**
- Efficiency: **82%**
- Efficacy: **52.71lm/W**
- CRI: **80**

## FEATURES

- Product Code: **T41922NW10**
- Colour: **anthracite grey**
- Installation: **Wall**
- Material: **Aluminum, tempered glass, methacrylate**
- Series: **Architectural Outdoor**
- design by: **Ernesto Gismondi**

## DIMENSIONS

- Length: **124 mm**
- Width: **55 mm**
- Height: **250 mm**
- Diameter: **80 mm**
- Impact Resistance: **06**

## SOURCES INCLUDED

- Category: **Led**
- Number: **2**
- Watt: **4W**
- Delivered lumen output: **184lm**
- Color temperature (K): **3000K**
- CRI: **80 typ**

# Calumet 8 wall 7,8° 3000K

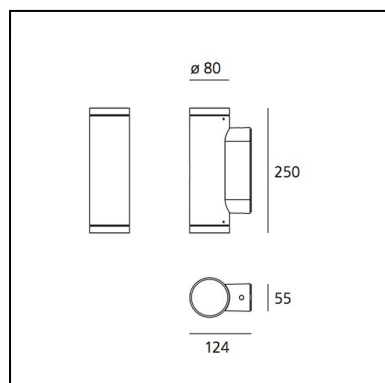
Ernesto Gismondi



## DESCRIPTION

Lighting system with single or double emission, with high-performance LED light sources combined with lenses which optimize the light emitting efficiency of the beams and determine their spread. Available in two sizes:  $\varnothing$  8 e  $\varnothing$  13 cm. Ceiling and wall installation. Available in two finishes: light grey and painted anthracite grey painted.

IP65 



## LUMINAIRE

- Watt: **4W**
- Voltage: **220V-240V**
- Delivered lumen output: **185lm**
- CCT: **3000K**
- Efficiency: **82%**
- Efficacy: **46.13lm/W**
- CRI: **80**

## FEATURES

- Product Code: **T41911NW00**
- Colour: **white/grey**
- Installation: **Wall**
- Material: **Aluminum, tempered glass, methacrylate**
- Series: **Architectural Outdoor**
- design by: **Ernesto Gismondi**

## DIMENSIONS

- Length: **124 mm**
- Width: **55 mm**
- Height: **250 mm**
- Diameter: **80 mm**
- Impact Resistance: **06**

## SOURCES INCLUDED

- Category: **Led**
- Number: **1**
- Watt: **4W**
- Delivered lumen output: **184lm**
- Color temperature (K): **3000K**
- CRI: **80 typ**


# Calumet 8 wall 7,8° 3000K

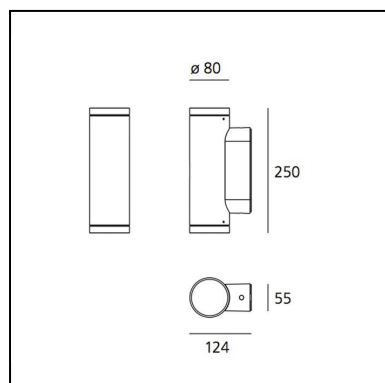
Ernesto Gismondi



## DESCRIPTION

Lighting system with single or double emission, with high-performance LED light sources combined with lenses which optimize the light emitting efficiency of the beams and determine their spread. Available in two sizes:  $\varnothing$  8 e  $\varnothing$  13 cm. Ceiling and wall installation. Available in two finishes: light grey and painted anthracite grey painted.

IP65 



## LUMINAIRE

- Watt: **4W**
- Voltage: **220V-240V**
- Delivered lumen output: **185lm**
- CCT: **3000K**
- Efficiency: **82%**
- Efficacy: **46.13lm/W**
- CRI: **80**

## FEATURES

- Product Code: **T41911NW10**
- Colour: **anthracite grey**
- Installation: **Wall**
- Material: **Aluminum, tempered glass, methacrylate**
- Series: **Architectural Outdoor**
- design by: **Ernesto Gismondi**

## DIMENSIONS

- Length: **124 mm**
- Width: **55 mm**
- Height: **250 mm**
- Diameter: **80 mm**
- Impact Resistance: **06**

## SOURCES INCLUDED

- Category: **Led**
- Number: **1**
- Watt: **4W**
- Delivered lumen output: **184lm**
- Color temperature (K): **3000K**
- CRI: **80 typ**


# Calumet 13 wall 2x6° 3000K

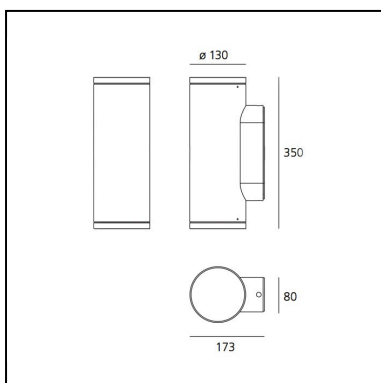
Ernesto Gismondi



## DESCRIPTION

Lighting system with single or double emission, with high-performance LED light sources combined with lenses which optimize the light emitting efficiency of the beams and determine their spread. Available in two sizes:  $\varnothing 8$  e  $\varnothing 13$  cm. Ceiling and wall installation. Available in two finishes: light grey and painted anthracite grey painted.

IP65 



## LUMINAIRE

- Watt: **15W**
- Voltage: **220V-240V**
- Delivered lumen output: **1306lm**
- CCT: **3000K**
- Efficiency: **82%**
- Efficacy: **87.09lm/W**
- CRI: **80**

## FEATURES

- Product Code: **T41952NW00**
- Colour: **white/grey**
- Installation: **Wall**
- Material: **Aluminum, tempered glass, methacrylate**
- Series: **Architectural Outdoor**
- design by: **Ernesto Gismondi**

## DIMENSIONS

- Length: **173 mm**
- Width: **80 mm**
- Height: **350 mm**
- Diameter: **130 mm**
- Impact Resistance: **09**

## SOURCES INCLUDED

- Category: **Led**
- Number: **4**
- Watt: **4W**
- Delivered lumen output: **184lm**
- Color temperature (K): **3000K**
- CRI: **80 typ**


# Calumet 13° wall 2x6° 3000K

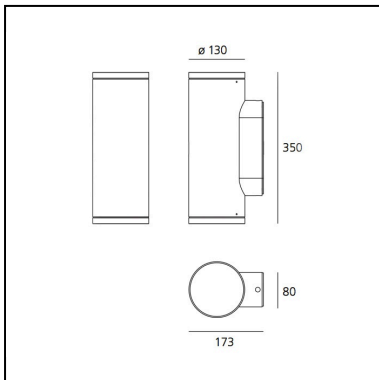
Ernesto Gismondi



## DESCRIPTION

Lighting system with single or double emission, with high-performance LED light sources combined with lenses which optimize the light emitting efficiency of the beams and determine their spread. Available in two sizes:  $\varnothing 8$  e  $\varnothing 13$  cm. Ceiling and wall installation. Available in two finishes: light grey and painted anthracite grey painted.

IP65 



## LUMINAIRE

- Watt: **15W**
- Voltage: **220V-240V**
- Delivered lumen output: **1306lm**
- CCT: **3000K**
- Efficiency: **82%**
- Efficacy: **87.09lm/W**
- CRI: **80**

## FEATURES

- Product Code: **T41952NW10**
- Colour: **anthracite grey**
- Installation: **Wall**
- Material: **Aluminum, tempered glass, methacrylate**
- Series: **Architectural Outdoor**
- design by: **Ernesto Gismondi**

## DIMENSIONS

- Length: **173 mm**
- Width: **80 mm**
- Height: **350 mm**
- Diameter: **130 mm**
- Impact Resistance: **09**


## SOURCES INCLUDED

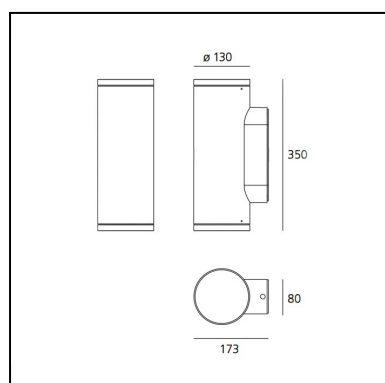
- Category: **Led**
- Number: **4**
- Watt: **4W**
- Delivered lumen output: **184lm**
- Color temperature (K): **3000K**
- CRI: **80 typ**

# Calumet 13 wall 6° 3000K

Ernesto Gismondi



IP65 



## LUMINAIRE

- Watt: **7,5W**
- Voltage: **220V-240V**
- Delivered lumen output: **653lm**
- CCT: **3000K**
- Efficiency: **82%**
- Efficacy: **93.31lm/W**
- CRI: **80**

## DESCRIPTION

Lighting system with single or double emission, with high-performance LED light sources combined with lenses which optimize the light emitting efficiency of the beams and determine their spread. Available in two sizes:  $\varnothing 8$  e  $\varnothing 13$  cm. Ceiling and wall installation. Available in two finishes: light grey and painted anthracite grey painted.

## FEATURES

- Product Code: **T41941NW00**
- Colour: **white/grey**
- Installation: **Wall**
- Material: **Aluminum, tempered glass, methacrylate**
- Series: **Architectural Outdoor**
- design by: **Ernesto Gismondi**

## DIMENSIONS

- Length: **173 mm**
- Width: **80 mm**
- Height: **350 mm**
- Diameter: **130 mm**
- Impact Resistance: **09**

## SOURCES INCLUDED

- Category: **Led**
- Number: **2**
- Watt: **4W**
- Delivered lumen output: **184lm**
- Color temperature (K): **3000K**
- CRI: **80 typ**

# Calumet 13° wall 6° 3000K

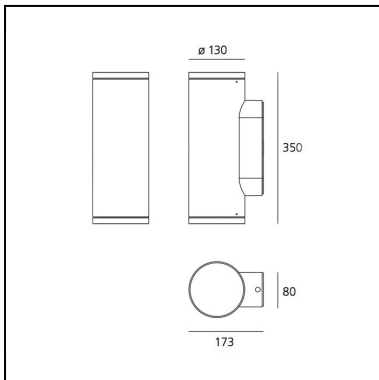
Ernesto Gismondi



## DESCRIPTION

Lighting system with single or double emission, with high-performance LED light sources combined with lenses which optimize the light emitting efficiency of the beams and determine their spread. Available in two sizes:  $\varnothing 8$  e  $\varnothing 13$  cm. Ceiling and wall installation. Available in two finishes: light grey and painted anthracite grey painted.

IP65 



## LUMINAIRE

- Watt: **7,5W**
- Voltage: **220V-240V**
- Delivered lumen output: **653lm**
- CCT: **3000K**
- Efficiency: **82%**
- Efficacy: **93.31lm/W**
- CRI: **80**

## FEATURES

- Product Code: **T41941NW10**
- Colour: **anthracite grey**
- Installation: **Wall**
- Material: **Aluminum, tempered glass, methacrylate**
- Series: **Architectural Outdoor**
- design by: **Ernesto Gismondi**

## DIMENSIONS

- Length: **173 mm**
- Width: **80 mm**
- Height: **350 mm**
- Diameter: **130 mm**
- Impact Resistance: **09**

## SOURCES INCLUDED

- Category: **Led**
- Number: **2**
- Watt: **4W**
- Delivered lumen output: **184lm**
- Color temperature (K): **3000K**
- CRI: **80 typ**