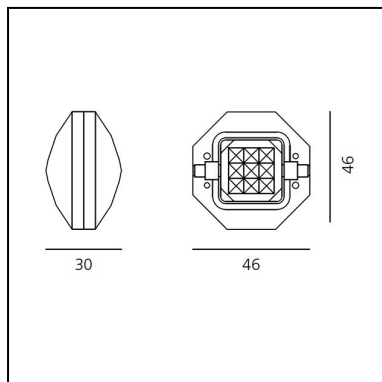


Diamante TW

Studio Artemide



IP65   Dimmerable: 



LUMINAIRE

- Power Supply: **DMX RDM**
- Transformer availability: **ON/OFF or DMX RDM**
- Watt: **0,6W**
- Voltage: **12Vdc**
- Delivered lumen output: **30lm max**
- CCT: **2700-6500K**
- CRI: **80**

DESCRIPTION

Diamante TW is an individually addressable TW pixel dot pendant to create spectacular lighting scenographies: vertical cascades or horizontal light chains of various numbers and length can be configured to the desired shape.

The DMX lighting control gives the installation a magical and emotional character.

Each Diamante TW is made of a double-sided LED circuit and a transparent polycarbonate prism. Transparent filigree cables are used between the pendants.

Hybrid cables between the “DMX RDM nodes/power dividers” allow a very flexible and secure distribution of the data signal and low voltage supply.

The control typology is DMX-RDM.

Simplified option with non-dimmable static 3000°K or 4000°K is possible.

Easy to install and maintain due to the outdoor connectors, aluminum mounting brackets and stainless steel carabineer.

Designed and made in Italy.

The product is available only on request to meet customer specific needs.

For quotations and information pls. contact Artemide's Special Projects division.

FEATURES

- Product Code: **TBD**
- Colour: **Transparent**
- Installation: **Suspension**
- Material: **ABS**
- Series: **Architectural Outdoor**
- design by: **Studio Artemide**

DIMENSIONS

- Length: **46 mm**
- Width: **30 mm**
- Height: **46 mm**